

## Description

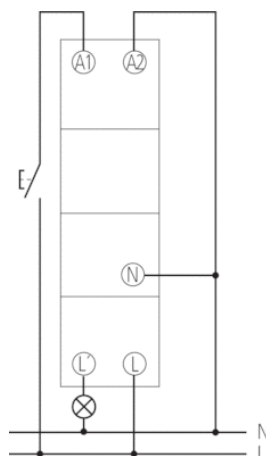


- Universal dimmer for R, L and C loads with automatic load detection
- Switch-on brightness can be saved individually
- Adjustable minimum brightness (required for ESL and LED)
- Multi-voltage input, e.g. for intercoms
- Low stand-by consumption
- Memory function in the event of power failure
- Automatic electronic overload and overheating switch-off
- Dimming switch-on function
- Permanent ON function (test function)
- No minimum load requirement
- Soft ON and Soft OFF protects the light
- The dimming output can be upgraded by using additional dimmboosters "DMB 1 T KNX" - dimming output 300 W/VA for each dimmbooster

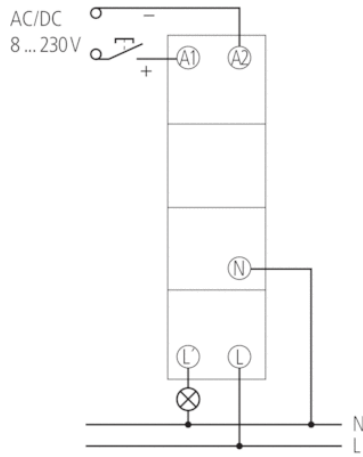
## Technical data

Operating voltage	230 V AC
Frequency	50 Hz
Width	1 modules
Installation type	DIN rail
Stand-by consumption	~0,2 W
Capacity loss max.	4,5 W
Incandescent/halogen lamp load	400 W
Transformer electronic (C)	300 W
Transformer inductive (L)	400 W
Energy saving lamps	Trailing edge: 400 W (until 35 °C), 330 W (until 50 °C)   Leading edge: 70 W (until 35 °C), 70 W (until 50 °C)
LED lamp	Trailing edge: 400 W (until 35 °C), 330 W (until 50 °C)   Leading edge: 60 W (until 35 °C), 50 W (until 50 °C)
Ambient temperature	-30 °C ... +50 °C
Protection class	II
Type of protection	IP 20

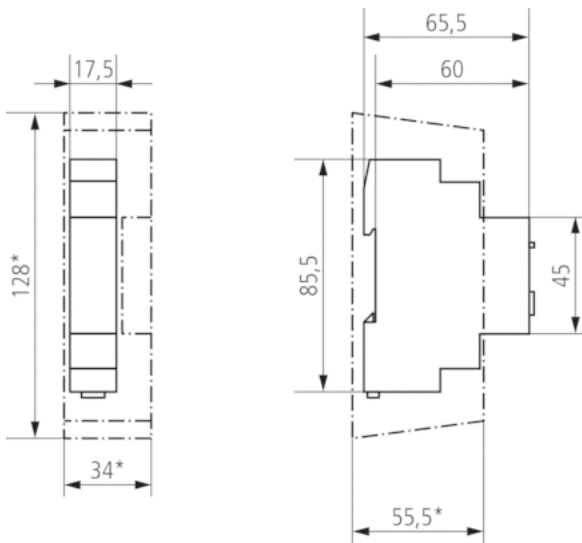
## Connection example



Article number: 5320001



### Scale drawings



### Accessories

#### Wall mounting kit 17,5 mm

- Article number: 9070065  
Details ▶ [www.theben.de](http://www.theben.de)



#### Front panel kit

- Article number: 9070001  
Details ▶ [www.theben.de](http://www.theben.de)

