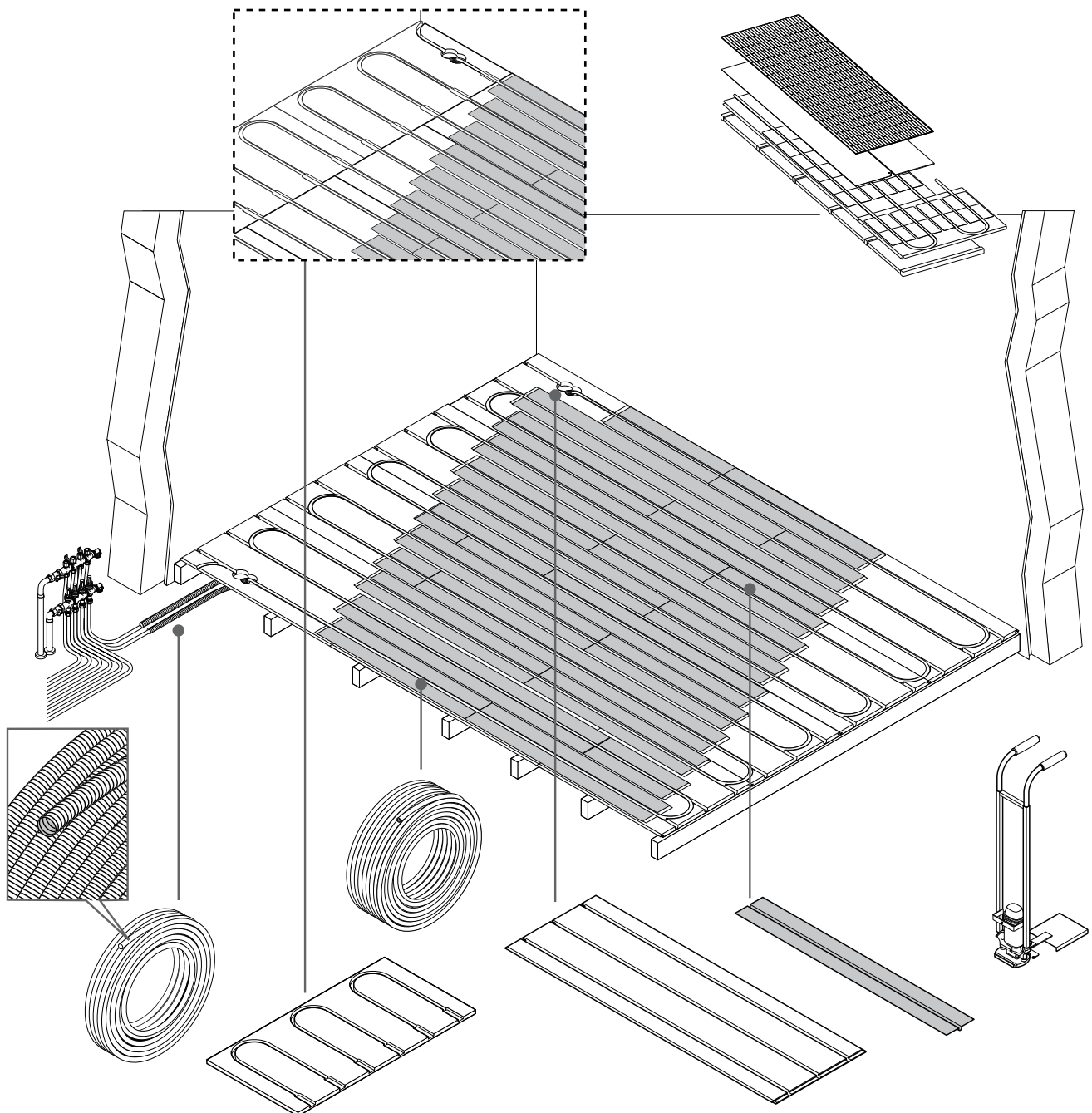


Uponor Tignum 17

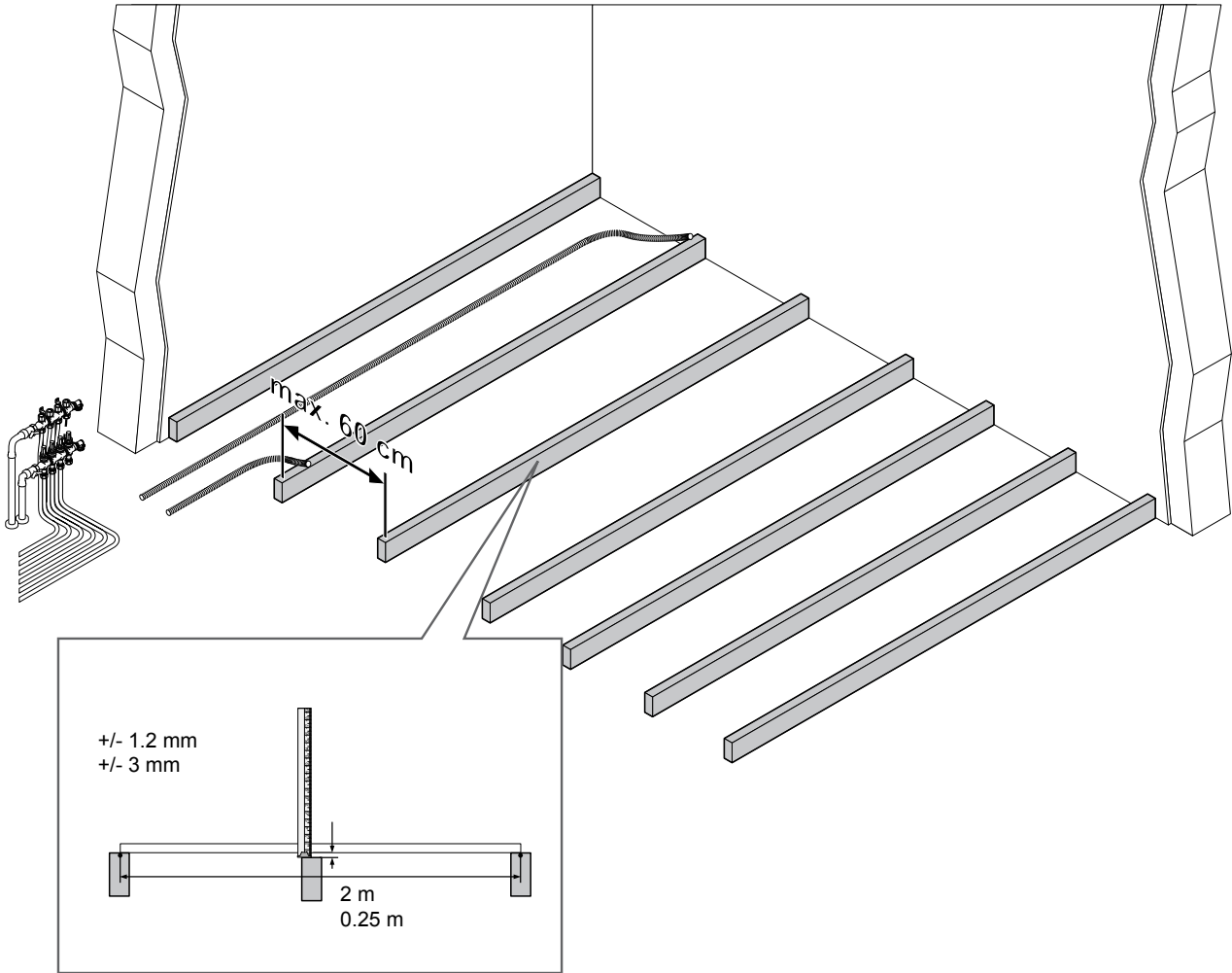


Valid by July 2020

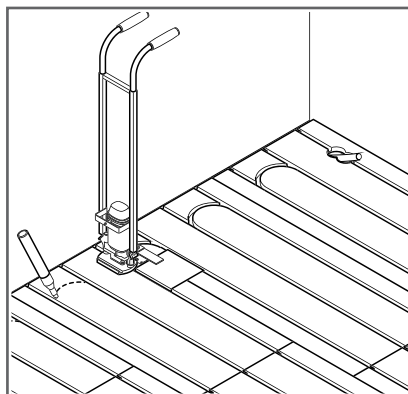
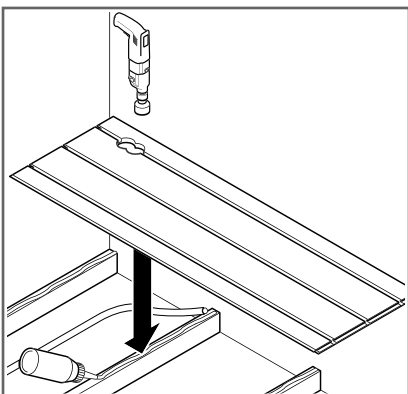




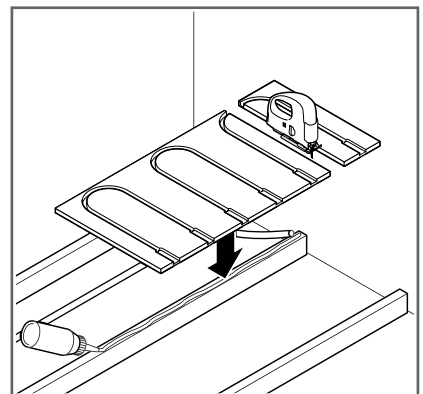
1



A



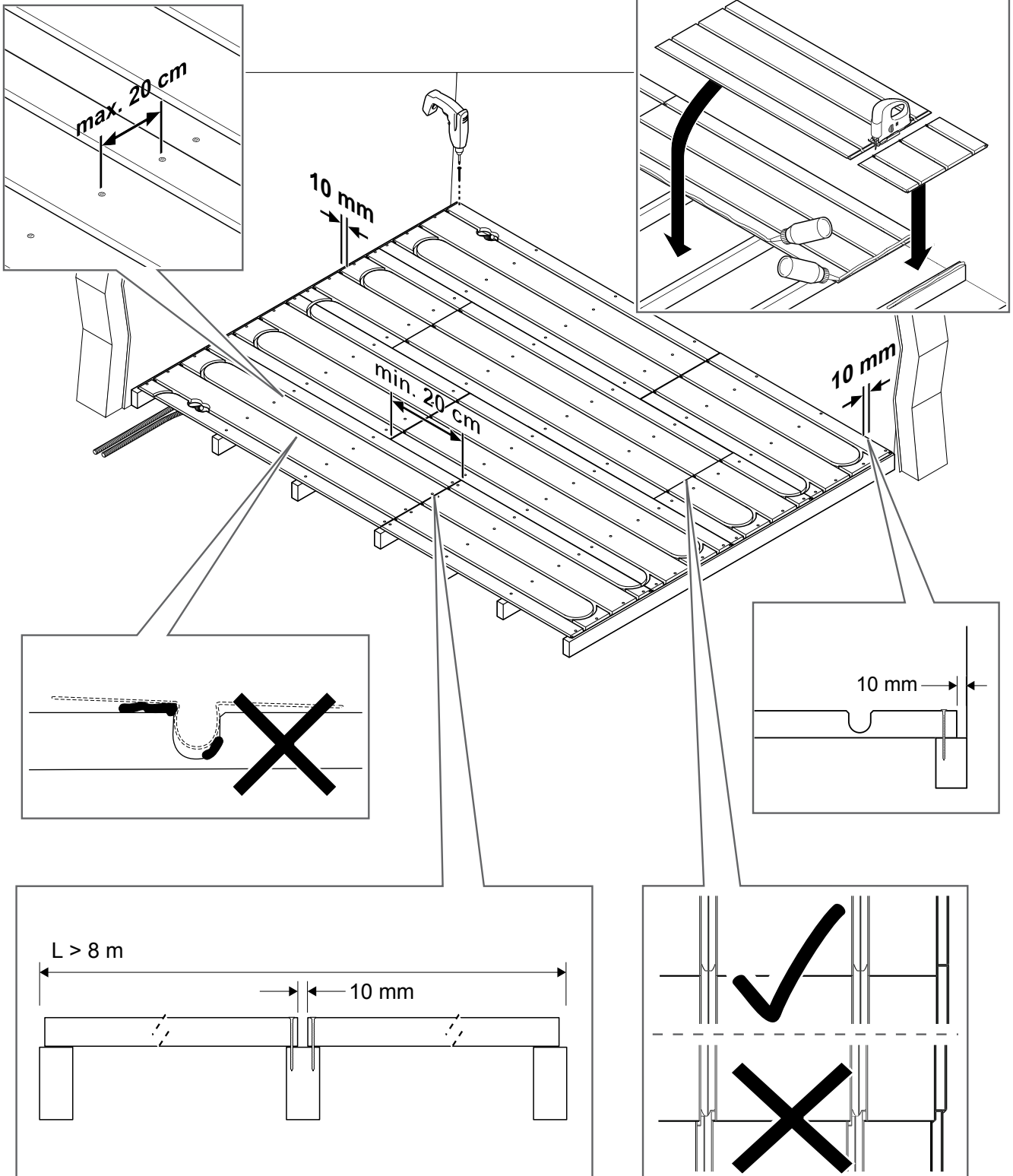
B



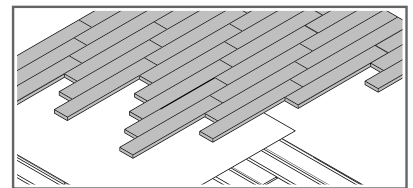
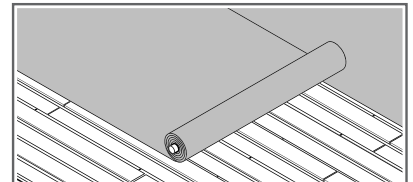
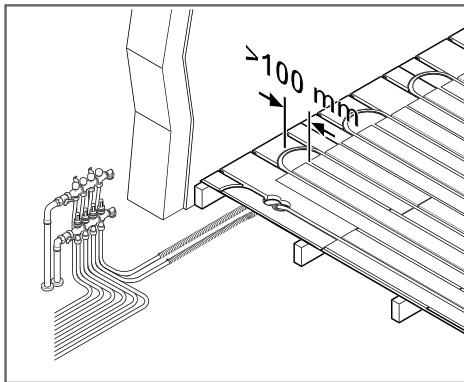
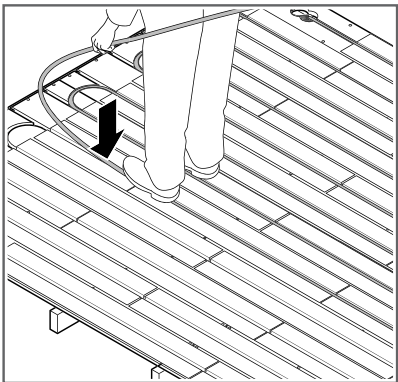
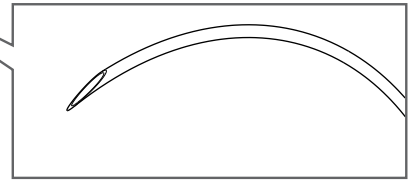
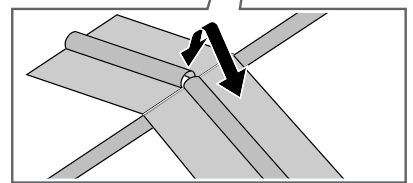
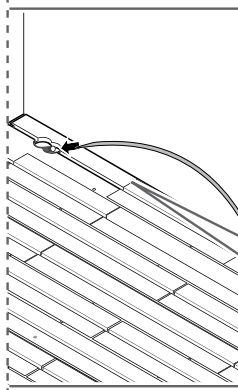
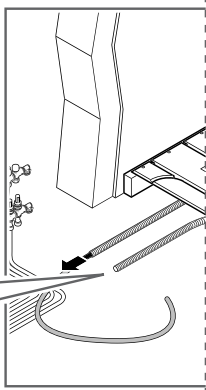
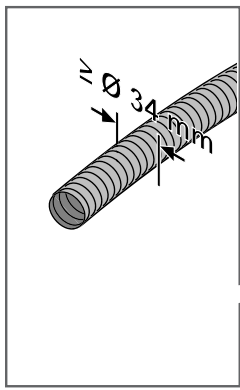
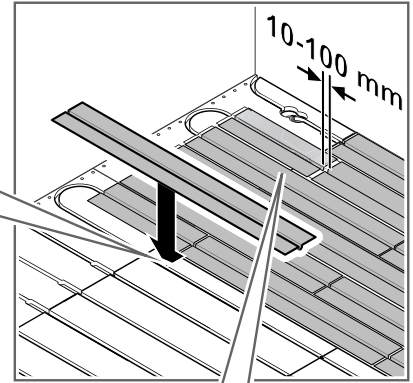
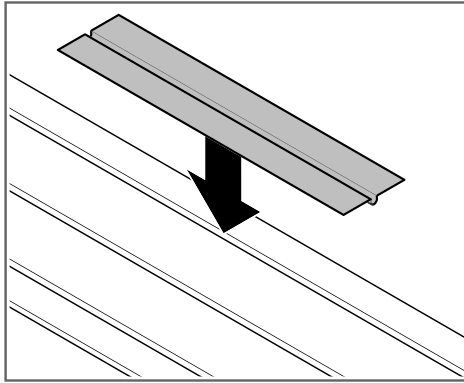
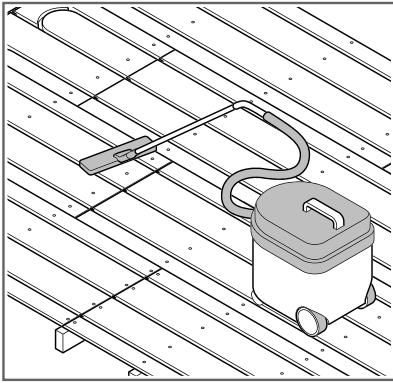
S10000315



2



SID000316



S0000317

Uponor Corporation

Äyritie 20
01510 Vantaa, Finland

1107838 v1_05-2020_INT
Production: Uponor/ELO

Uponor reserves the right to make changes, without prior notification, to the specification of incorporated components in line with its policy of continuous improvement and development.



www.uponor.com