

A

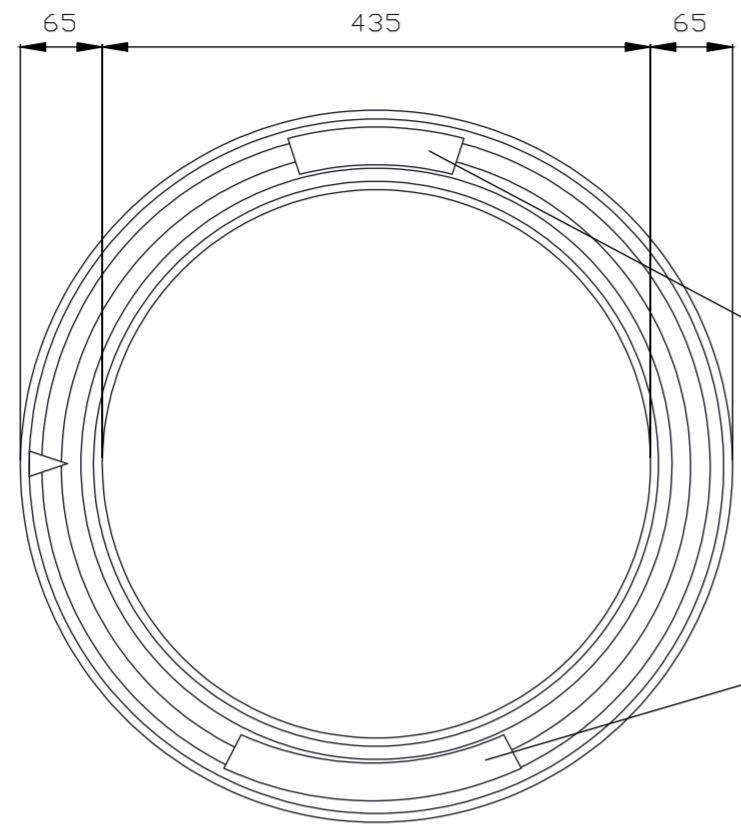
B

C

D

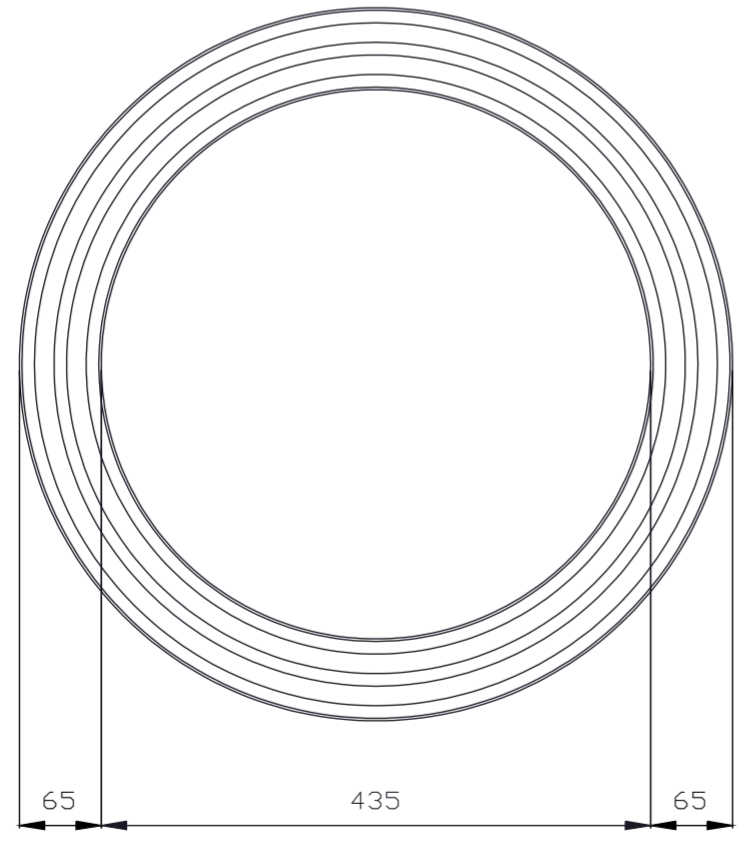
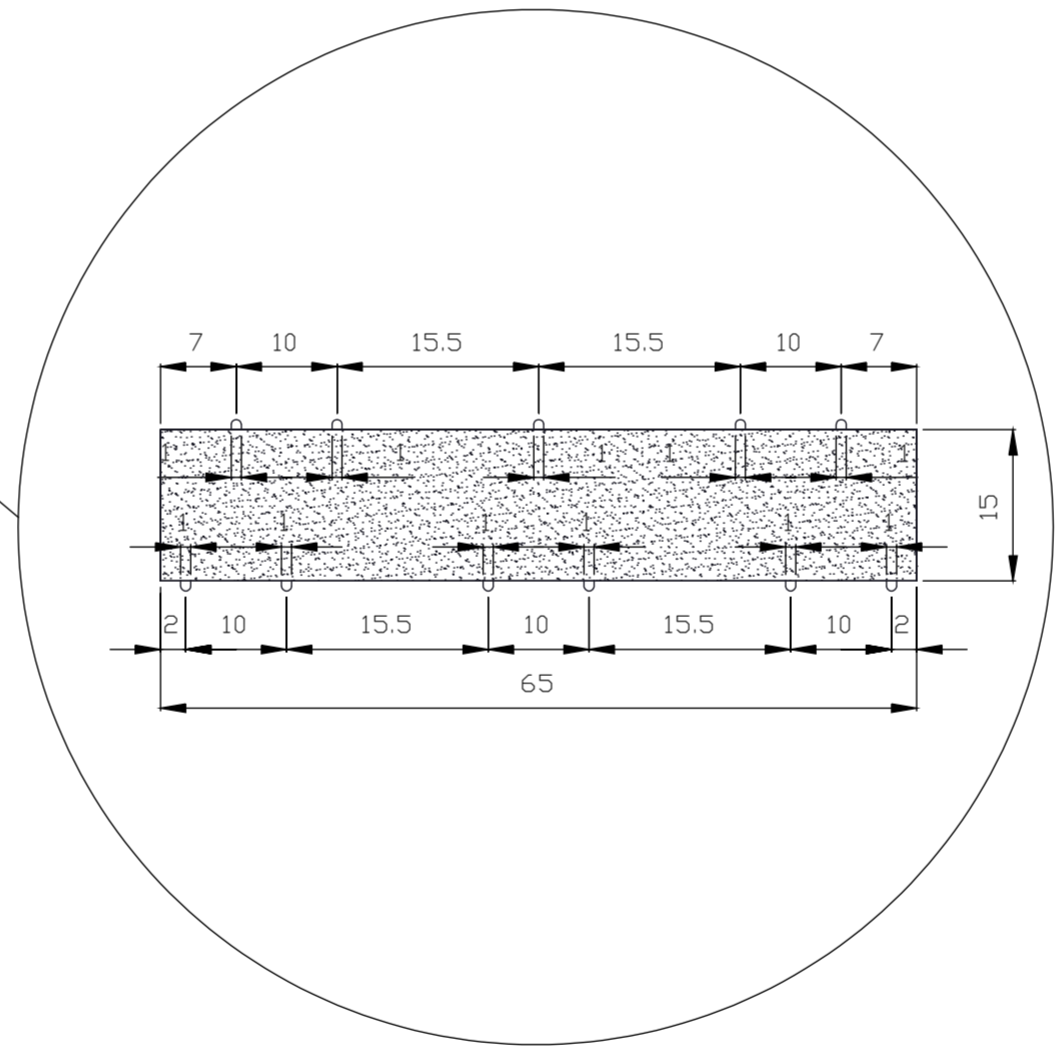
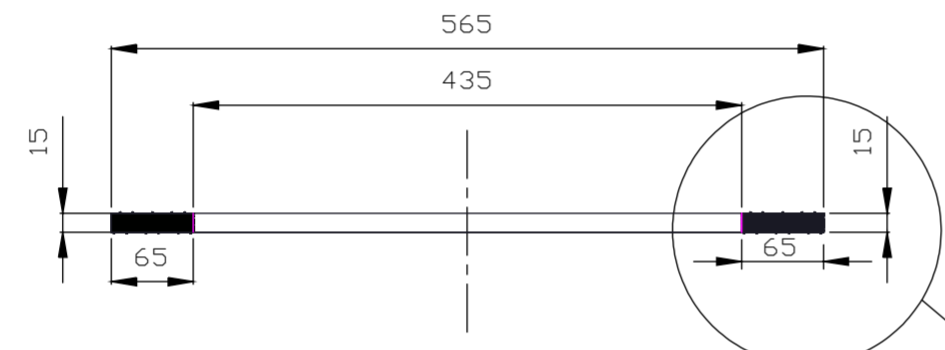
E

F




THIS SIDE UP

DK VA 225597.XXX 435x15



Tolerance +3mm -3mm
The dimensions are for the finished product

Itemref	Quantity	Title/Name, designation, material, dimension etc	Article No./Reference		
Designed by JG	Checked by NAL	Approved by - date XXX - 00/00/00	File name Topring	Date 12-10-06	Scale
			DK VA Topring		
			435/15	Edition 1	Sheet 1/1