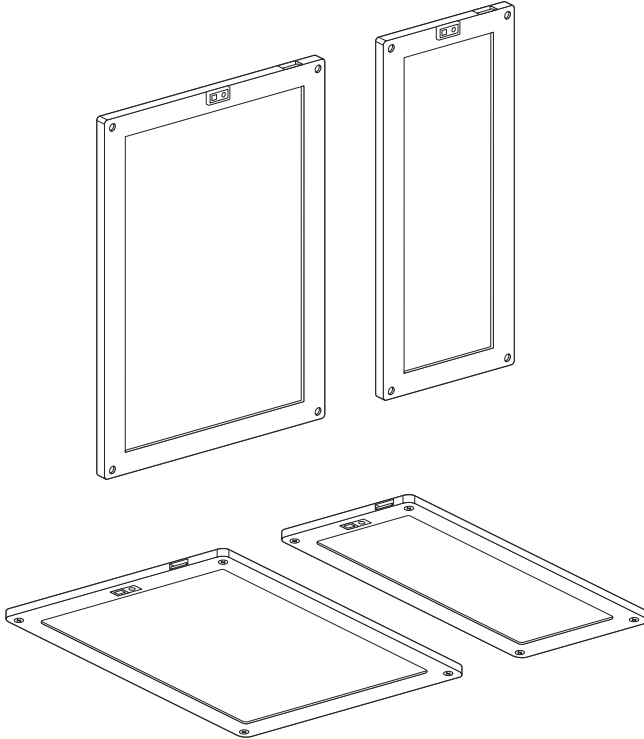
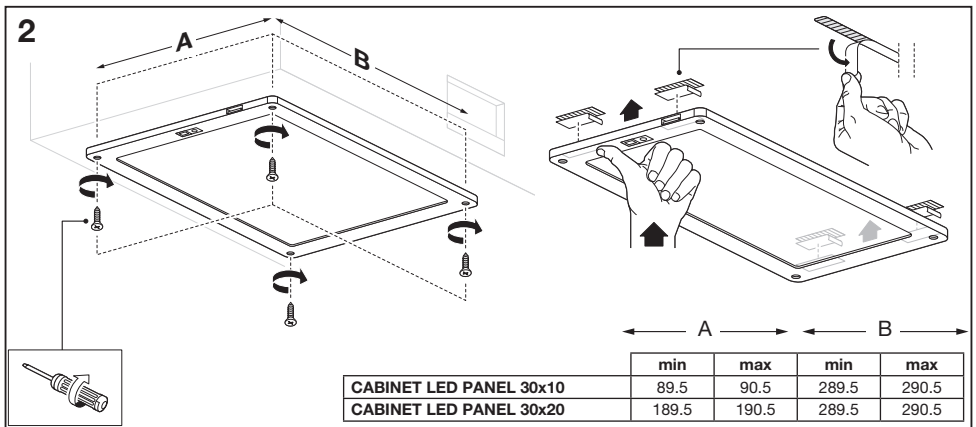
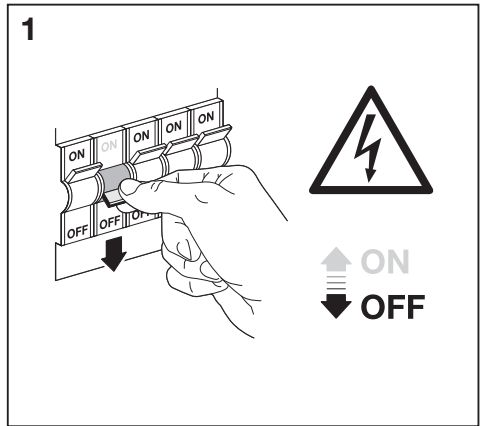
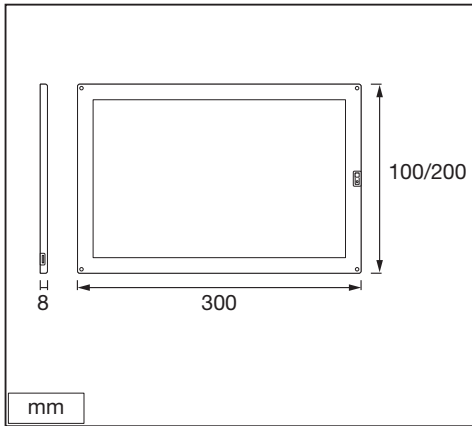
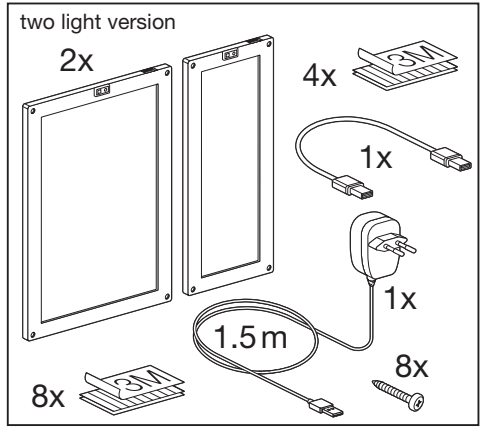
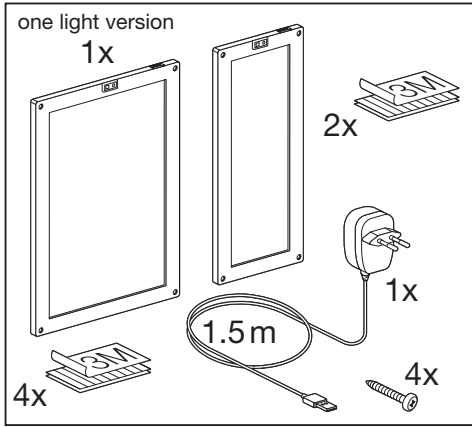
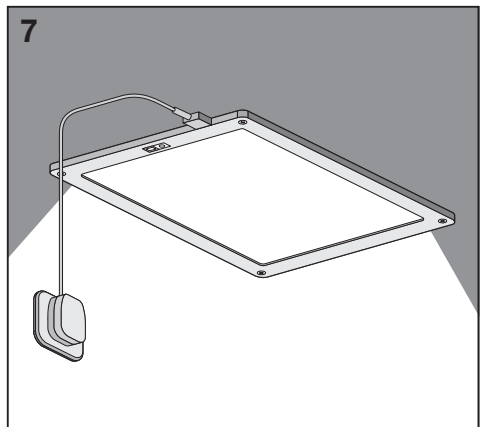
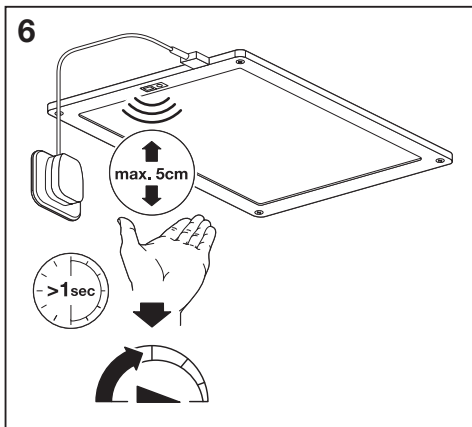
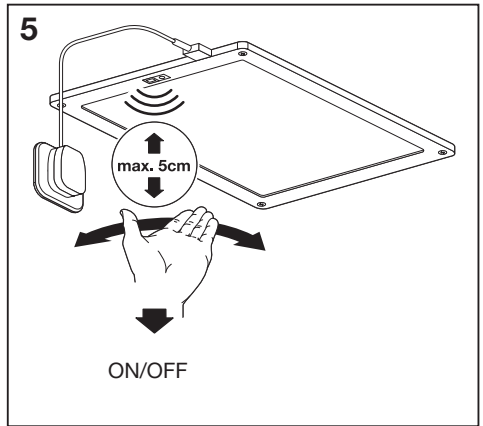
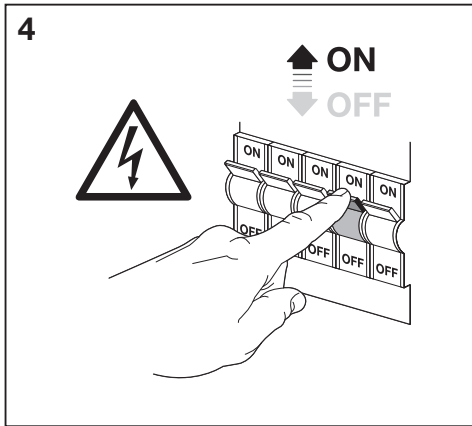
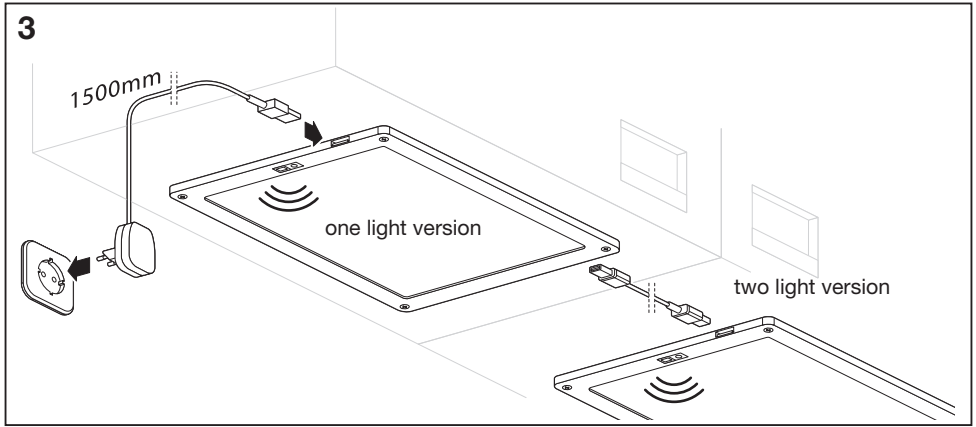

CABINET LED PANEL



	EAN	W	lm	K	⊖ (°C)	V~	mA	Hz	PF	👤
CABINET LED PANEL 30x10	4058075268289	5	220	3000	-20...+40	220-240	50	50/60	>0.5	0.3 kg
CABINET LED PANEL 30x10 TWO LIGHT	4058075268302	10	550	3000	-20...+40	220-240	100	50/60	>0.5	0.6 kg
CABINET LED PANEL 30x20	4058075268326	7.5	450	3000	-20...+40	220-240	75	50/60	>0.5	0.6 kg
CABINET LED PANEL 30x20 TWO LIGHT	4058075268340	14	900	3000	-20...+40	220-240	140	50/60	>0.5	1.1 kg







C10449057
G11072461
01.04.2019



LEDVANCE GmbH
Steinerne Furt 62
86167 Augsburg, Germany
www.ledvance.com