



Oras Swea

INSTALLATION AND MAINTENANCE GUIDE





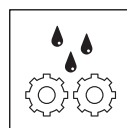
4-5



6-9



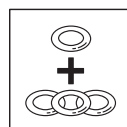
9



10-12



13

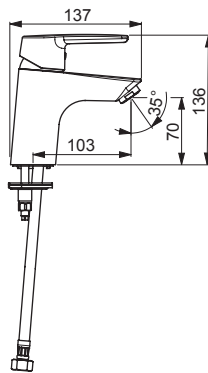
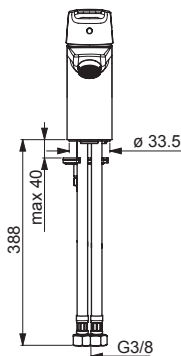


14-15



1510F , 1510FK , 1510F-105

I (ISO 3822) Oras lab,
 EN 817
 50 - 1000 kPa
 0.068 l/s (Eco)
 0.1 l/s (300 kPa w/Controller)
 0.07 l/s (300 kPa w/Controller) 1510F-105
 200 kPa (0.1 l/s)
 max. +80°C



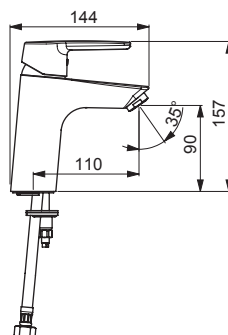
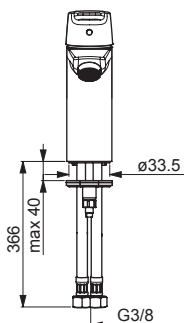
1441 KIWA Sverige 1913



static.oras.com/1510F

1511F

I (ISO 3822) Oras lab,
 EN 817
 50 - 1000 kPa
 0.068 l/s (Eco)
 0.1 l/s (300 kPa w/Controller)
 200 kPa (0.1 l/s)
 max. +80°C



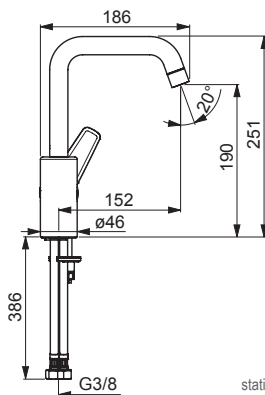
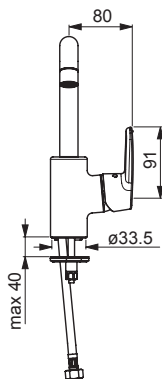
1441 KIWA Sverige 1913



static.oras.com/1511F

1507F

I (ISO 3822) Oras lab,
 EN 817
 50 - 1000 kPa
 0.068 l/s (Eco)
 0.1 l/s (300 kPa w/Controller)
 200 kPa (0.1 l/s)
 max. +80°C



1441 KIWA Sverige 1913

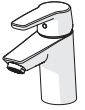
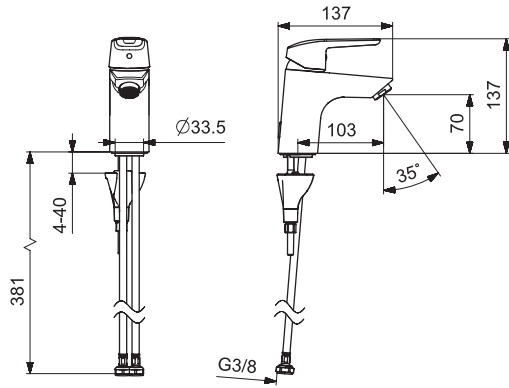


static.oras.com/1507F

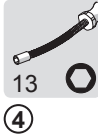
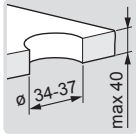
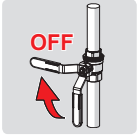


1510FL-105

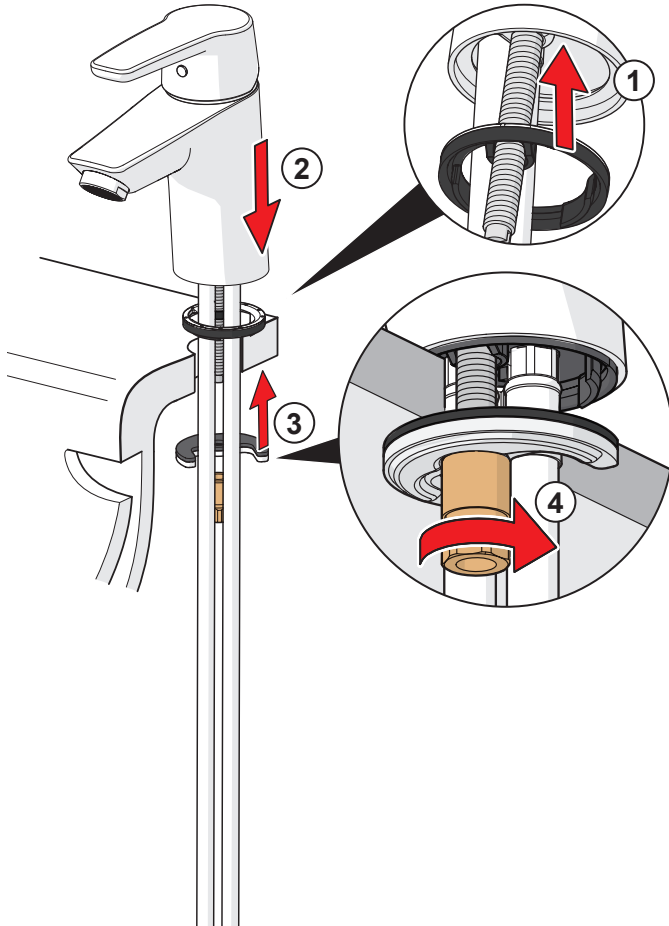
I (ISO 3822) Oras lab,
EN 817
50 - 1000 kPa
0.05 l/s (Eco)
0.07 l/s (300 kPa w/Controller)
max. +80°C

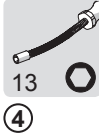
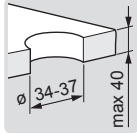
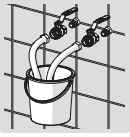
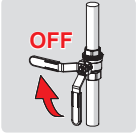


static.oras.com/1510FL-105

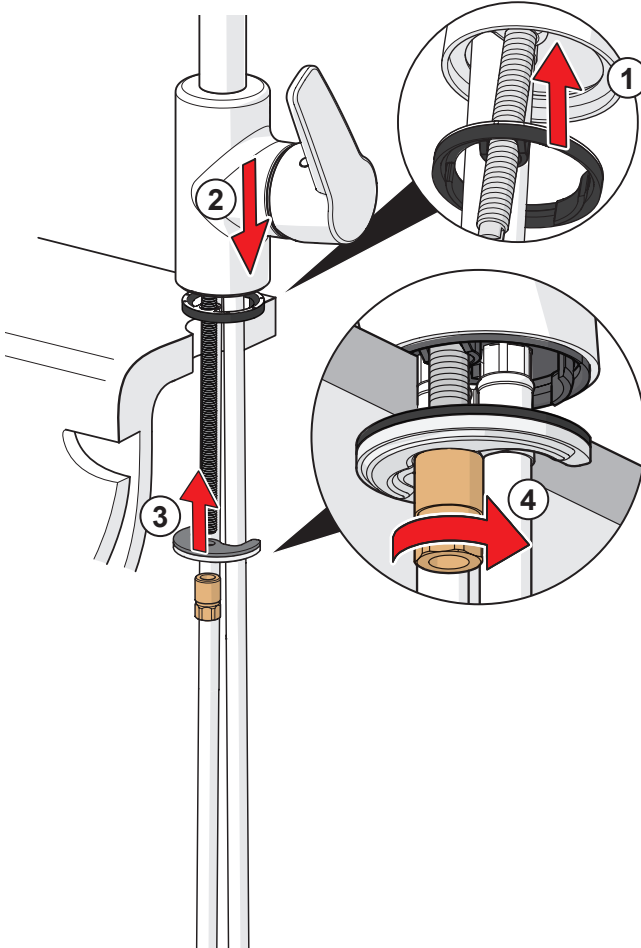


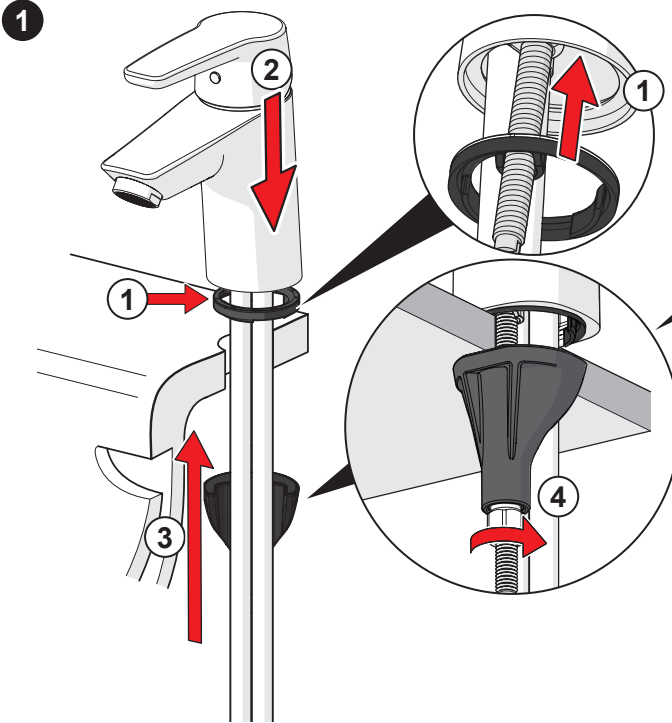
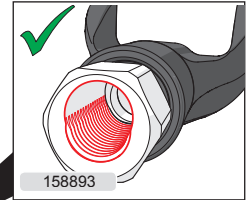
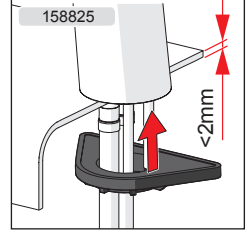
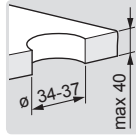
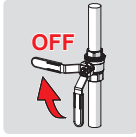
1





1



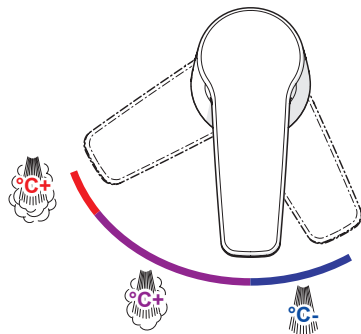
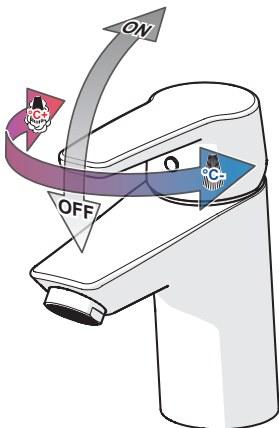
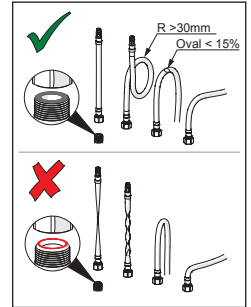
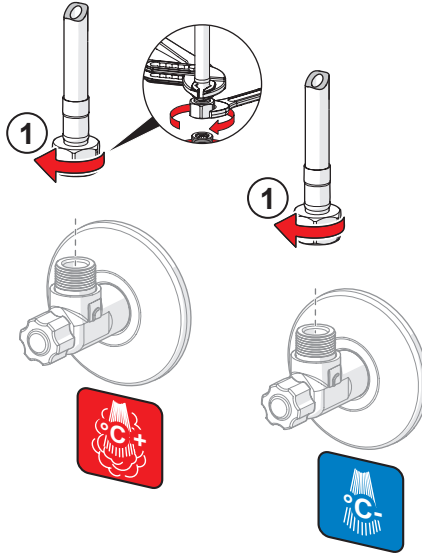


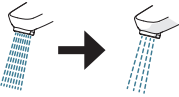


①

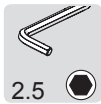
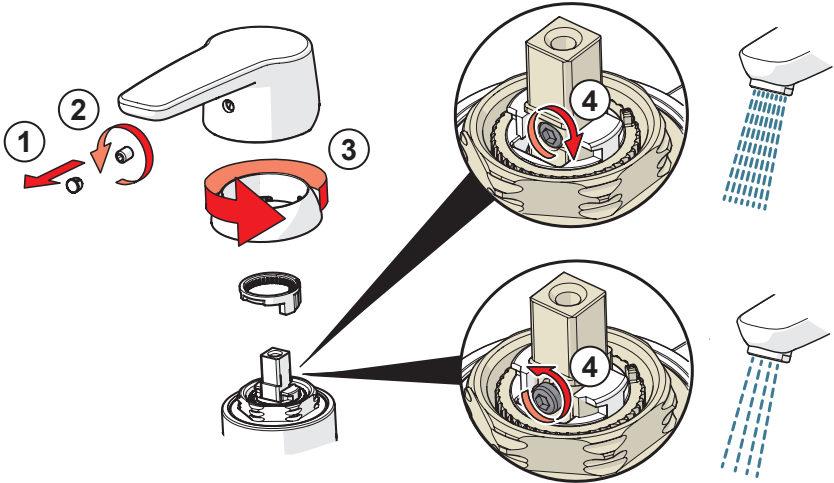
max.
1600 kPa

②

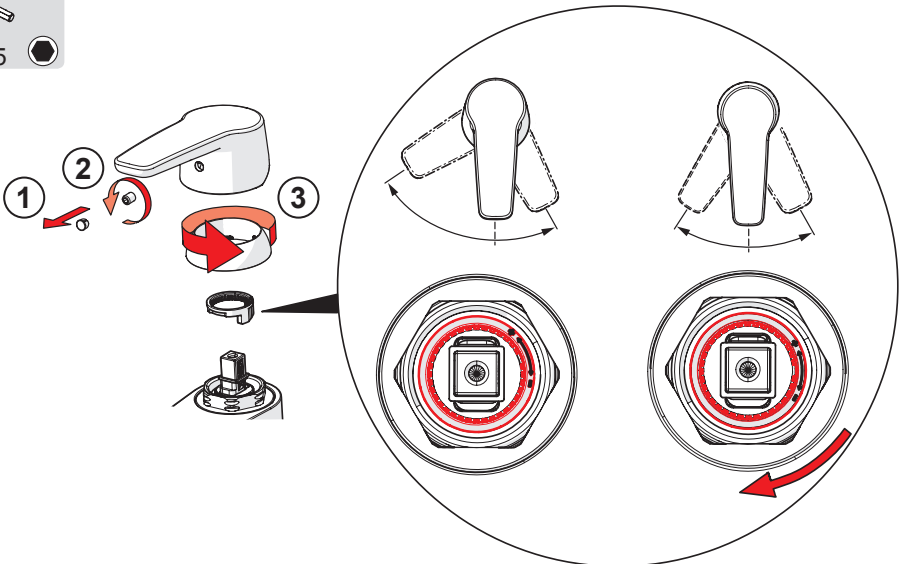


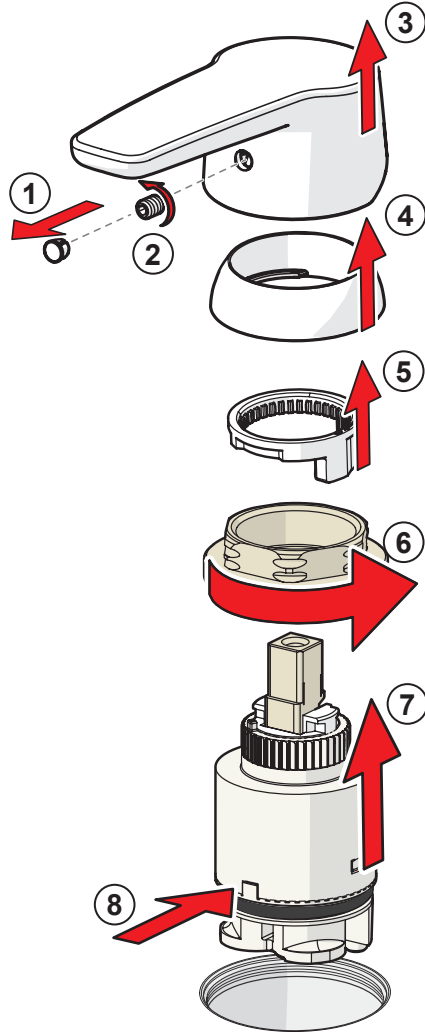
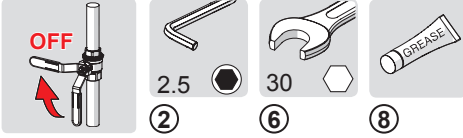


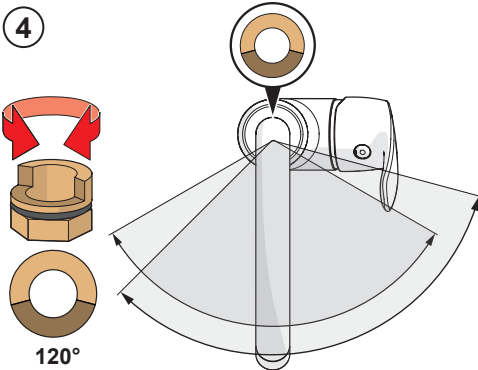
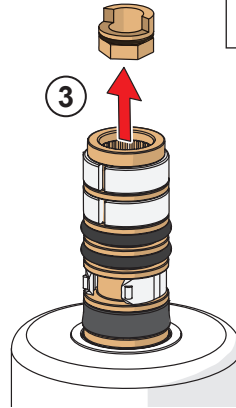
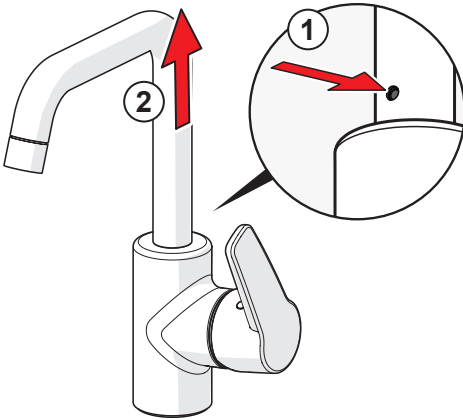
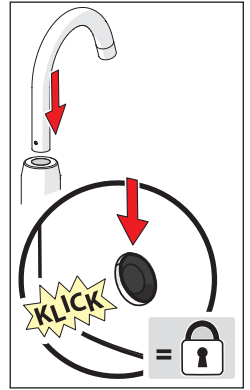
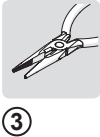
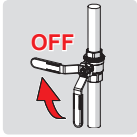
②



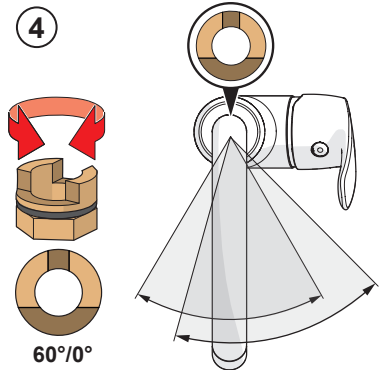
②



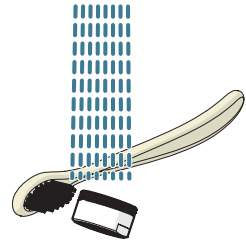
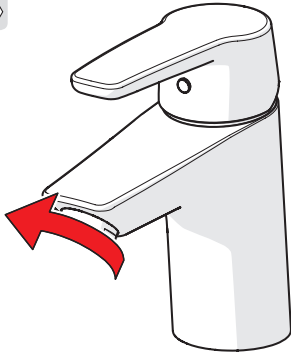




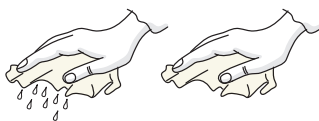



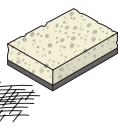


159670/10



159667/10



  PH 6-9	
 	 ALCOHOL 

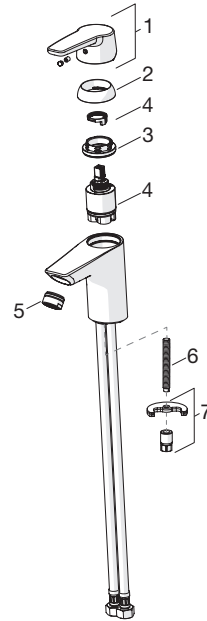


CLEANING.ORAS.COM



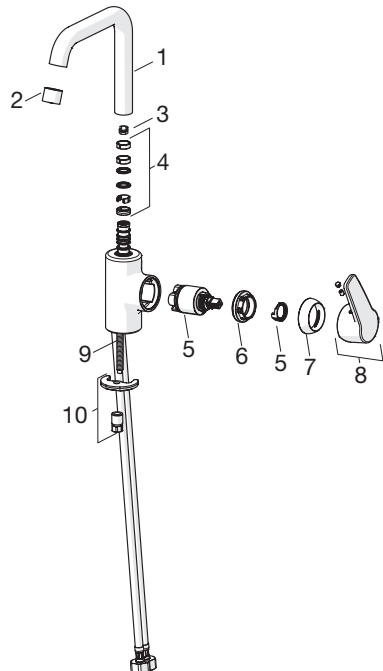
1510F, 1510FK, 1511F, 1510F-105

- 1 1003170V
- 2 601967V
- 3 601968V
- 4 602672V
- 5 1003828V (1510F-105)
- 5 601974V
- 6 601970V
- 7 601985V



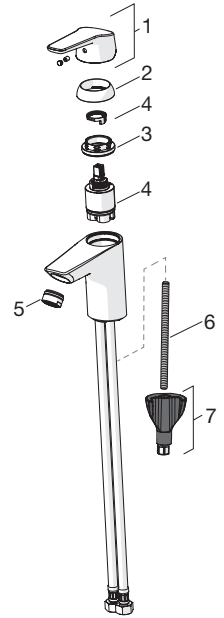
1507F

- 1 1001051V
- 2 1001071V
- 3 159670/10
- 4 1001098V
- 5 602672V
- 6 601968V
- 7 601967V
- 8 1003171V
- 9 601970V
- 10 601985V



1510FL-105

1	1002631V
2	601967V
3	601968V
4	602672V
5	1003828V
6	1002371V
7	1000780V
8	602610V



Oras Group is a powerful European provider of sanitary fittings: the market leader in the Nordics and a leading company in Continental Europe. The company's mission is to make the use of water easy and sustainable and its vision is to become the European leader of advanced sanitary fittings. Oras Group has two strong brands, Oras and Hansa.

The head office of the Group is located in Rauma, Finland, and the Group has four manufacturing sites: Burglengenfeld (Germany), Kralovice (Czech Republic), Olesno (Poland) and Rauma (Finland). Oras Group employs approximately 1400 people in twenty countries. Oras Group is owned by Oras Invest, a family company and an industrial owner.

ORAS GROUP

Isometsäntie 2, P.O. Box 40

FI-26101 Rauma

Tel. +358 2 83 161

Fax +358 2 831 6300

info.finland@oras.com

www.oras.com

