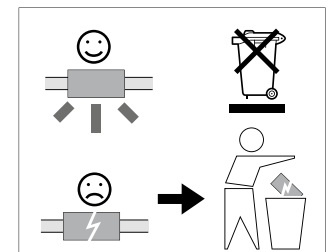
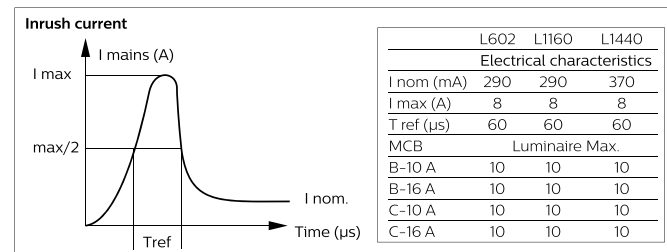
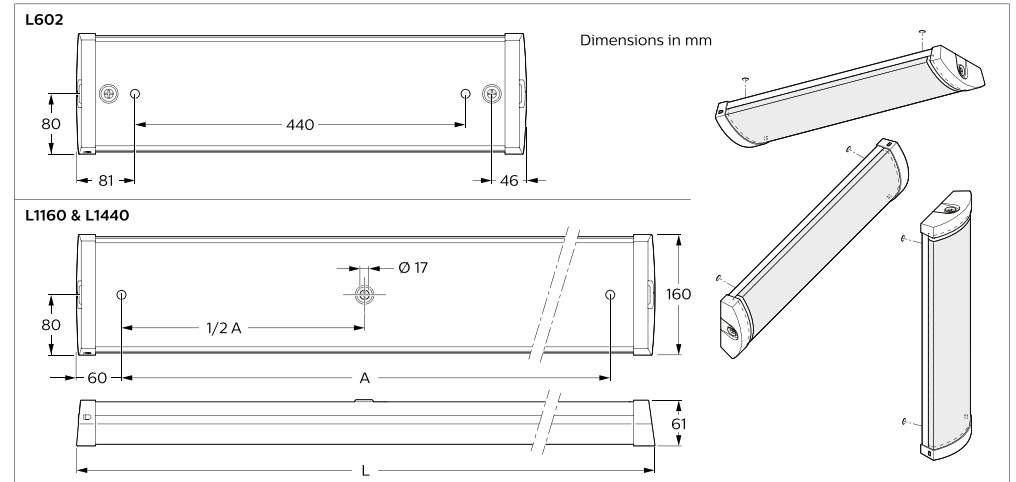
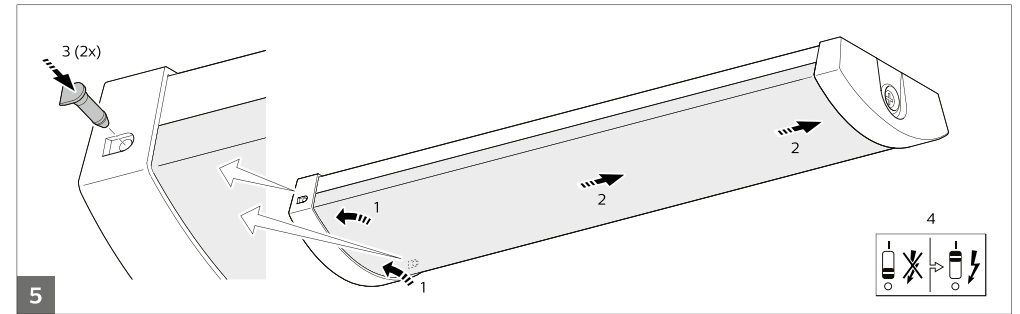
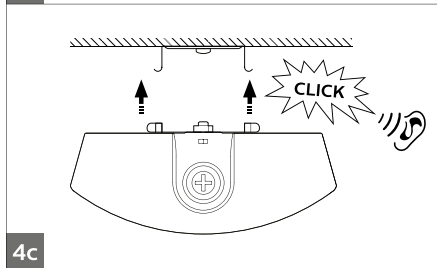
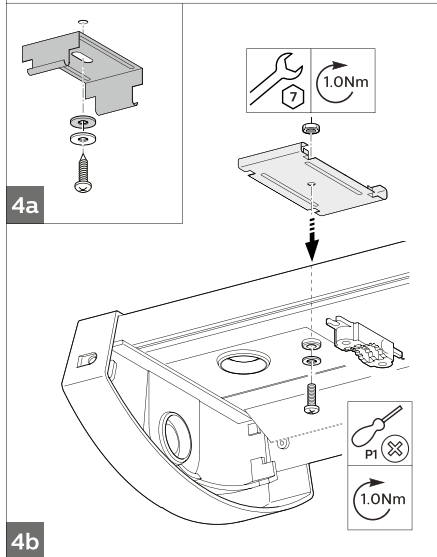
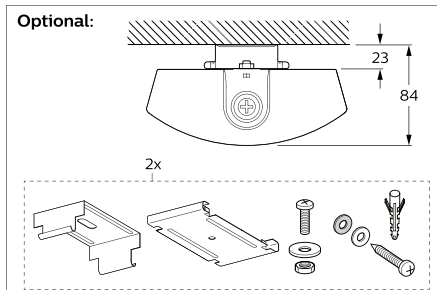
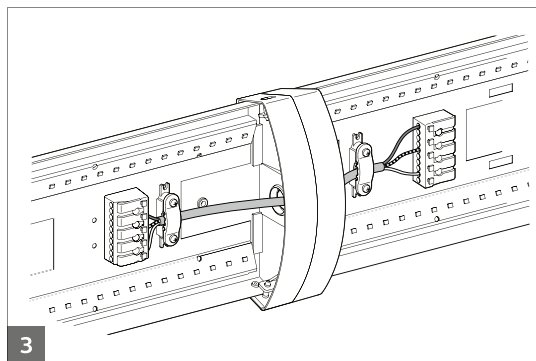
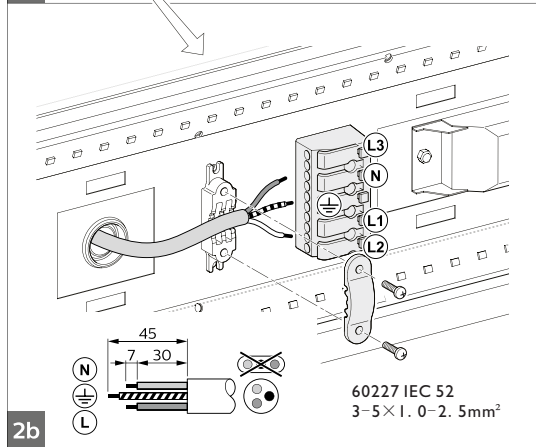
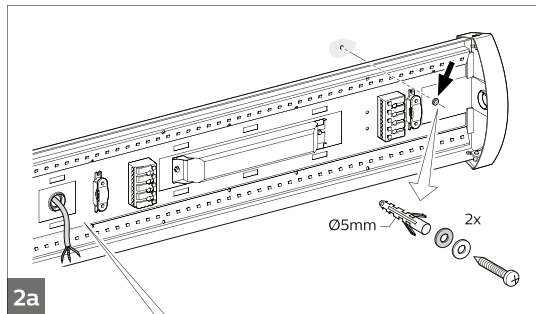
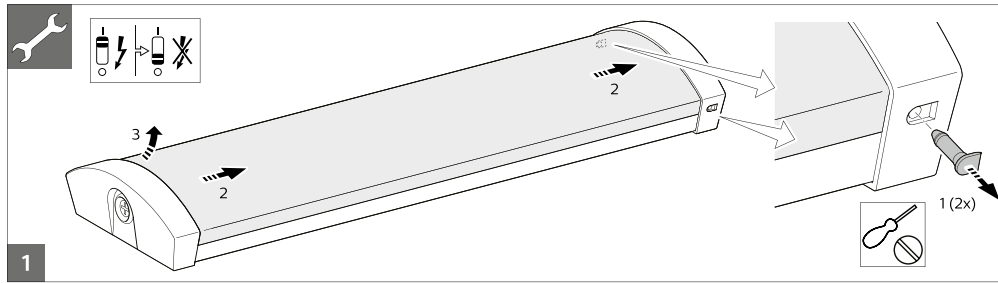


	Lumen (lm)	P (W)	L	A	kg
SM150C LED24S L602	2400	20	602	440	1.6
SM150C LED48S L1160	4800	45	1160	1040	2.5
SM150C LED37S L1440	3700	35	1440	1320	3.1
SM150C LED60S L1440	6000	55	1440	1320	3.1



© 2018 Philips Lighting Holding B.V.
 All rights reserved. Reproduction in whole or in part is prohibited without the prior written consent of the copyright owner.
 The information presented in this document does not form part of any quotation or contract, is believed to be accurate and reliable and may be changed without notice. No liability will be accepted by the publisher for any consequence of its use.
 Publication thereof does not convey nor imply any license under patent- or other industrial or intellectual property rights.

Philips Lighting Holding B.V.
 The Netherlands



- The luminaire shall be installed or maintained by a qualified electrician and wired in accordance with the latest IEE electrical regulations or the national requirements.
- If the external flexible cable or cord of this luminaire is damaged, it shall be exclusively replaced by the manufacturer or his service agent or a similar qualified person in order to avoid a hazard.
- The light source contained in this luminaire shall only be replaced by the manufacturer or his service agent or a similar qualified person.