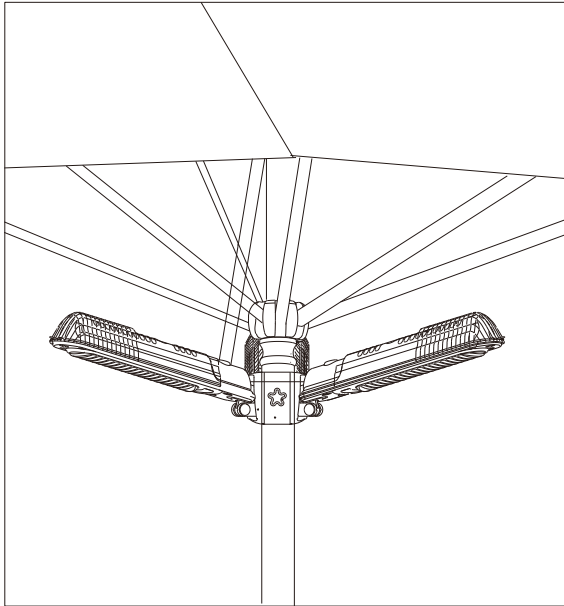




Instruction Manual
TRIO PARASOLVARMER
Model: 120.21.9000.2



**Please read these instructions carefully before using your
new Electric Patio Heater**

Unpack the halogen heater making sure that all the items are present and that there are no components left in the box and that the heater head is free from any packing material.

Using the detailed drawing follow the steps to assemble your halogen heater.

Do not connect the halogen heater to the electrical supply until all the assembly is complete.

Do not connect the halogen heater to the electrical supply if any of the components or the power cord is damaged in any way.

If in doubt contact your supplier.

Caution

Only use the Electric Patio Heater on a firm vertical pole where all the feet on the pole base are in contact with the floor. **S**hould the heater be tilted or fall over the auto cut off switch will activate.

1. **T**his appliance is not intended for use by person (including children) with reduced physical, sensory or mental capabilities, or lack of experience and knowledge, unless they have been given supervision or instruction concerning use of the appliance by a person responsible for their safety.
2. **Do not** use the electric patio heater near bath tubs, wash areas or swimming pools.
3. **Do not** use in unventilated areas.
4. **Do not** use where gas, petrol, paint or other inflammable goods are stored.
5. **Do not** push any items through, obstruct or cover the grill of the heater head.
6. **T**he heater must not be located immediately below a socket-outlet.
7. **Do not** move when connected to an electrical supply and

always wait for the patio heater to cool down before storing away.

8. **Do not** touch the heater head when in use.
9. **Do not** leave turned on and unattended especially when children and or animals are in the vicinity.
10. **T**he unit must be placed with the clearance of 180 cm to the floor and 30cm to the roof / parasol cloth.
11. **T**he unit must be correctly installed according to the instructions. **M**ake sure the heater is fixed at a height of at least 1.8m above the floor.
12. **T**he unit must be securely placed on a pole which is vertically to the flat surface.
13. **T**he unit is at high temperature during operation. **I**t keeps hot for a period after shut down. **P**otential danger would occur when touching it during this period.
14. **Don't** place the unit closed to curtains, or other combustible materials. **O**therwise there will be a danger of catching fire.
15. **Don't** cover the unit with anything during operation or a short time after it's shut down.

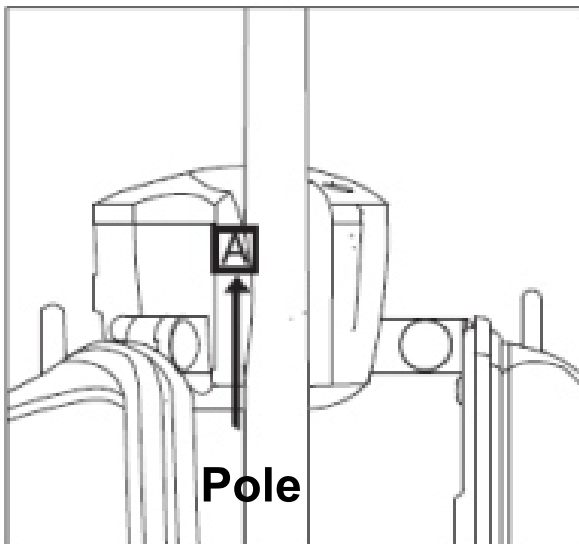
16. **Don't** wrap the power supply cord on the unit.
17. **T**he unit must be handled with care, and avoid of vibration or hitting.
18. **T**he unit must be securely grounded during operation.
19. **W**hen damaged, the unit must be repaired by professional repairing team.
20. **W**hen the power supply cord is damaged, it must be replaced by authorized agent or other professional people so as to avoid danger.
21. **W**hen assembling, keep clear from any board or flammable material.
22. **T**he unit must be attended by adults if it's used by a child.
23. **I**t is not allowed to install the unit by swimming, pool, in bath room or shower area.
24. **T**he head of the unit is at high temperature during operation.
Unplug the unit and wait till it's cool before cleaning.
25. **Don't** use this unit in place where causticity or volatile air exists, i.e. dust, steam, gas, etc.
26. **Don't** use this unit as a cloth drier or towel drier.

27. **Don't** use this unit as a sauna heater.
28. **Don't** use this unit as a room heater or heating storage.
29. **Don't** use this unit in place of animal propagating and raising.
30. **Don't** use this unit in heating system of hot air centre.
31. **Don't** immerse this unit into water for cleaning.
32. **T**he unit should be plugged in a socket, which is easily visible and reachable.
33. **O**ne or two dark points may exist on the surface of the heating elements during the first few minutes after it is turned on. **T**his is normal, and may not affect the performance of the unit.
34. **A** tilt switch is fitted inside the unit for safety purpose.
35. **C**hildren should be supervised to ensure that they do not play with the appliance.

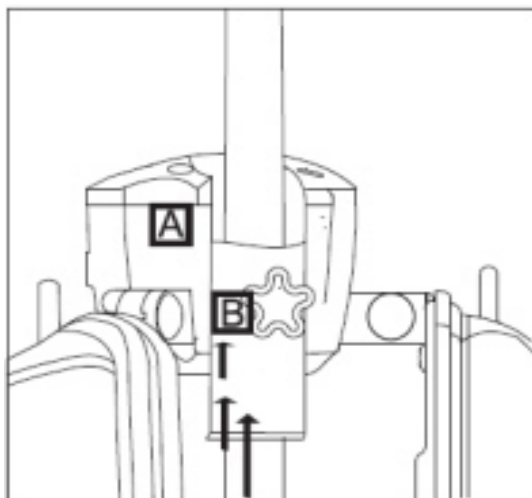
Assembly Instruction

Unpack the Electric Patio Heater making sure that all the items are present

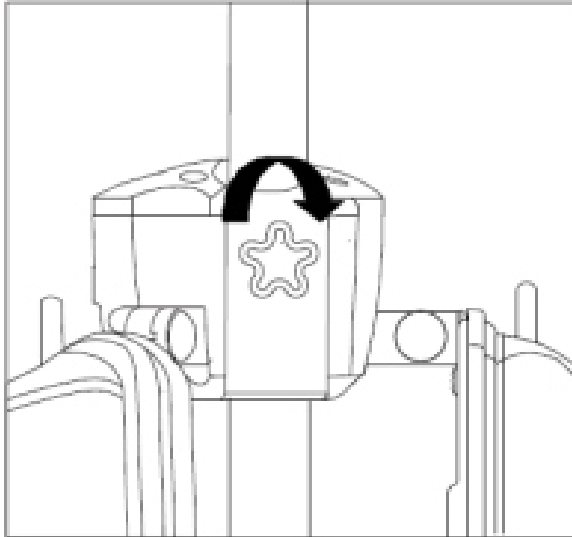
Step 1: Place the Heater Mounting Part A on a Pole which diameter is between 25mm – 60mm.



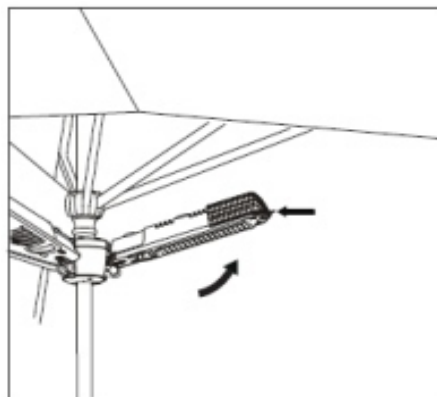
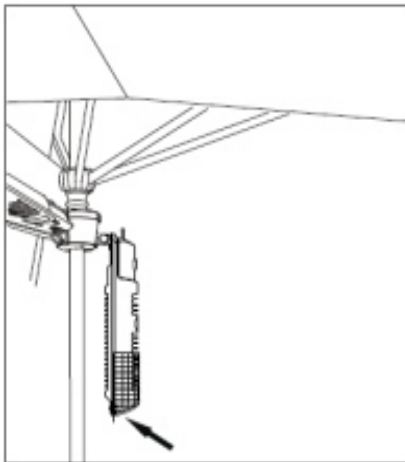
Step 2: Slip the Mounting Part B and fit it to the Mounting Part A from the bottom up.



Step 3: Turn the Fixation Screw until the Mounting Part A is fixed on the pole

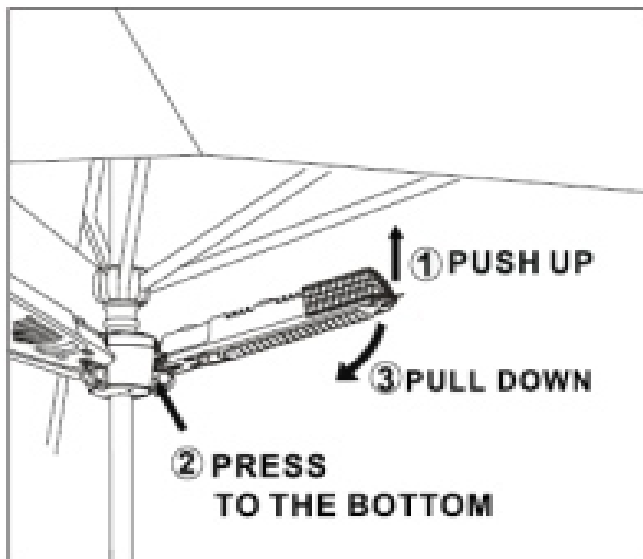


Step 4: When start using the heater, just holding the little handle by the end of the heater and push up.



Step 5: When finish using the heater, please

- a) Right hand push up the heater
- b) Left hand press the little silver knob to the end
- c) Right hand push down the heater.



Operation

Connect the power cable to a 13 ampere supply that is located in a safe, dry area.

- The switch on the heater head is used to control the three heat settings. (I) for 650W – (II) for 1300W – (I&II) for 2000W. The 0 position is off.
- Although the patio heater is shower proof, do not use when raining or in wet conditions.
- Always disconnect the power cable from the electrical supply, when the patio heater is not in use.

Technical Specification

- Power supply 220-240V~ 50Hz
- Wattage max 2000W
- Net weight 3.6 kg
- Insulation class I

Care and maintenance

- When disconnected from the electrical supply, clean the outside of the patio heater with a damp cloth. Never use corrosive or solvent cleaners or immerse in water.
- Any maintenance or repairs including replacing the halogen tube should only be carried out by a qualified electrician or by a recommended service center.

STORAGE

If the heater will not be used for a long period of time, store it in a cool, dry location when not in use. To prevent dust and dirt build-up, use the original packaging to repack the unit.

TROUBLE SHOOTING

If the heater will not operate, please check the following before seeking repair of service:

- Check if the power cord is plugged into an electrical outlet, if not plug in.
- Check if electricity to the main fuse is working.
- Make certain the power switches are turned on. If not, choose a setting.

WEEE



This symbol on the product or in the instructions means that your electrical and electronic equipment should be disposed at the end of its life separately from your household waste. There are separate collection systems for recycling in the EU. For more information please contact the local authority or your retailer where you purchased the product.

EC declaration of conformity

This is to certify that

The ZHQ2028 Electric Patio Heater conforms to the standards:-

IEC/EN55014-1; IEC/EN 55014-2; IEC/EN61000-3-2;

IEC/EN61000-3-3; IEC/ EN60335-1; IEC/EN60335-2-3

