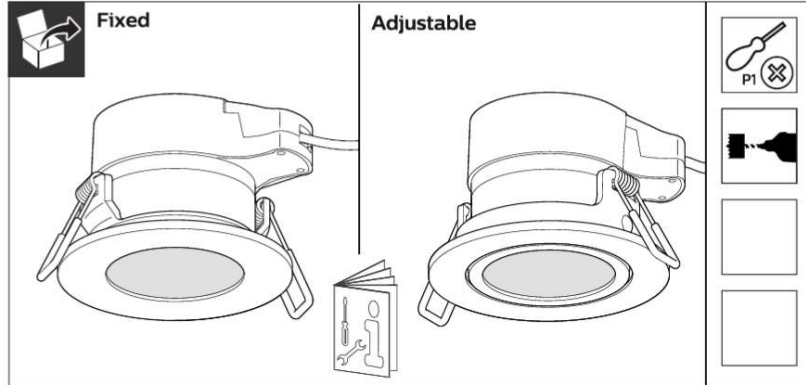


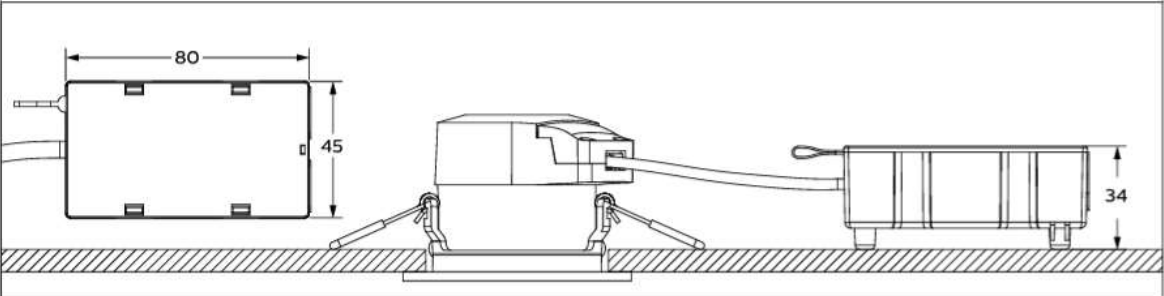
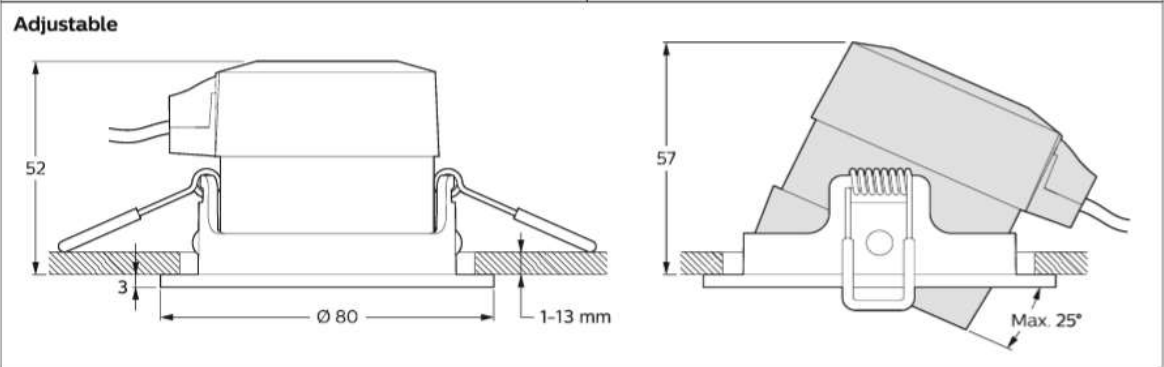
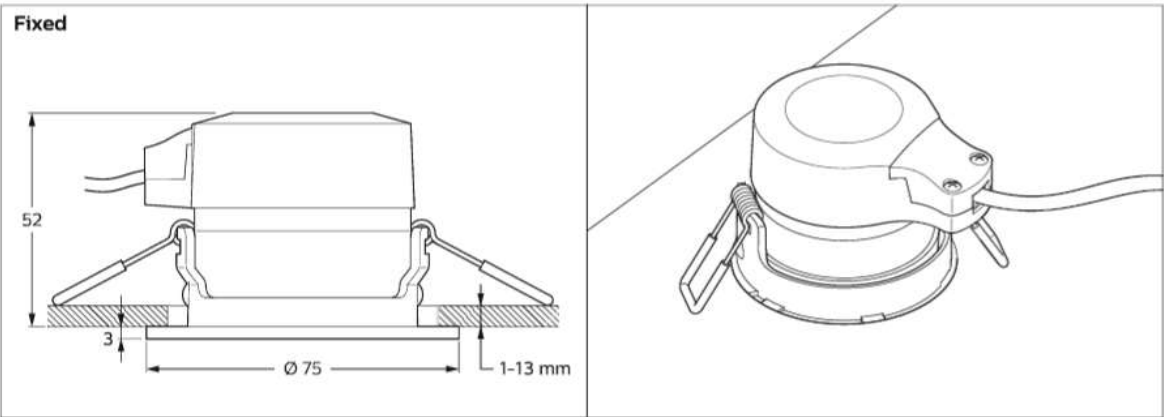
PHILIPS

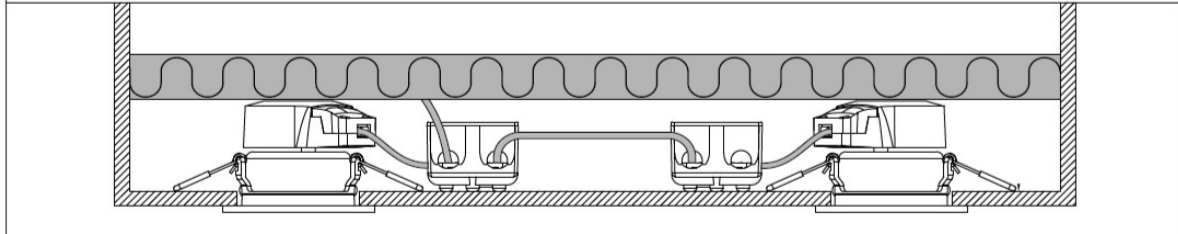
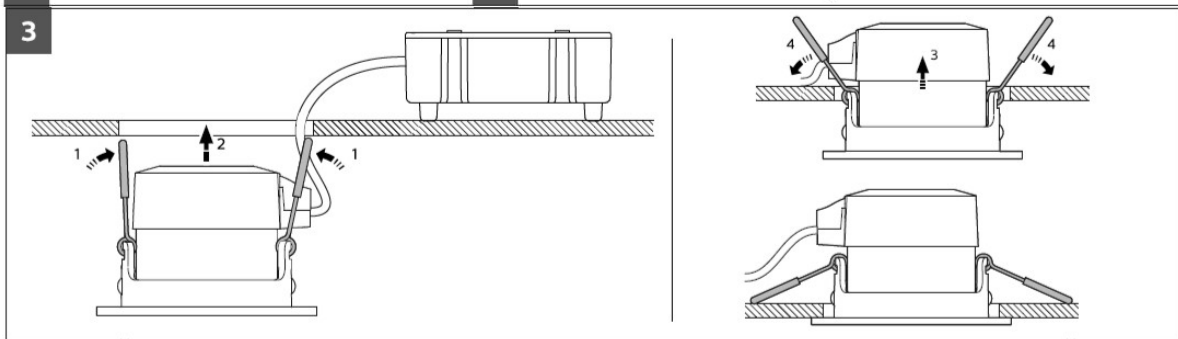
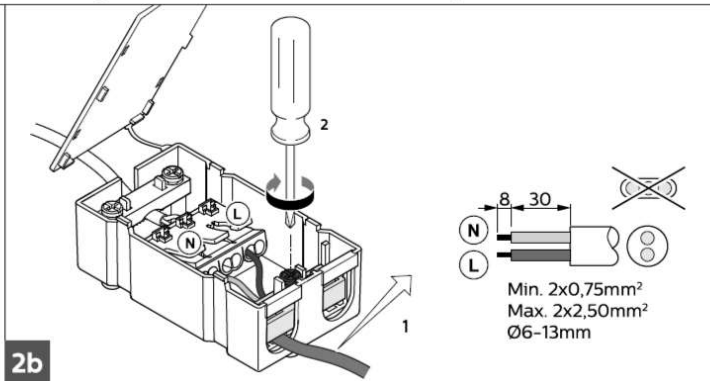
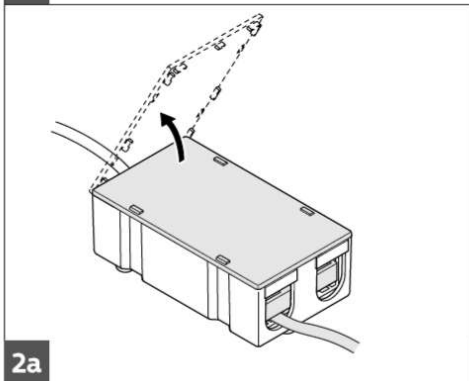
ClearAccent

RS060B - RS061B



	LEDs	Output (lm)	P (W)	A (mA)	Ø mm	kg
RS060B LED5 LILO fixed	1x LED	500	6	26	68	0.16
RS061B LED5 LILO adjustable						0.17





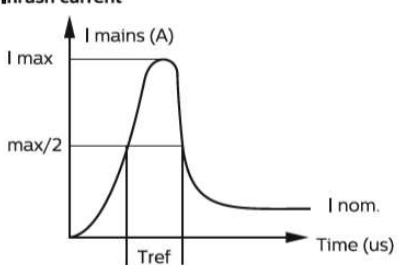
Recommended Max. number of inter-connected

Power	Max. number of inter-connected
6W	75

Recommended Dimmer List

Luminaire Power	Brand	Model	Max. fitting per dimmer
6W	Busch-Jaeger	6523U	17
	RELCO	RP0977	10
	RELCO	RM0545	20
	Legrand	067084	12
	Legrand	067085	10
	Gira	2390 00 / 100	17
	Jung	1271LEDDE	17
	MK	K1501 WHILV	17
	Vimar	20148	17
	Dynalite	DDLE801	17
	Dynalite	DDMC-GRMSPLUS	15

Inrush current



Electrical characteristics	
I _{max} (A)	2/16
T _{ref} (μs)	82/60
MCB	Downlights Max.
B-10 A	48
B-16 A	48
C-10 A	48
C-16 A	48

The light source of this luminaire is not replaceable; when the light source reached its end of life the whole luminaire shall be replaced.

