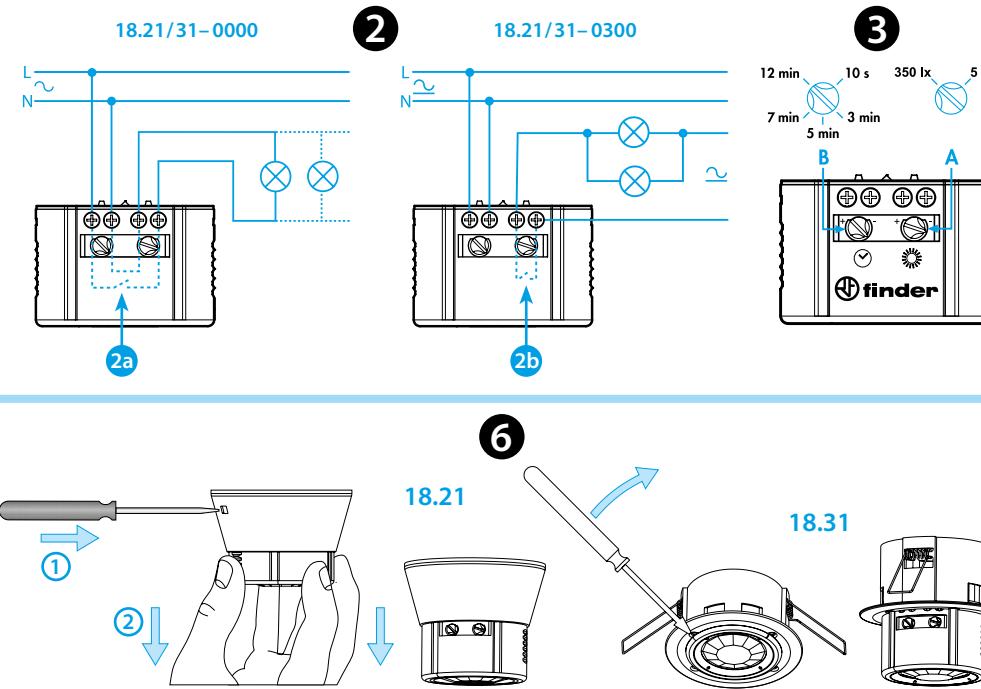
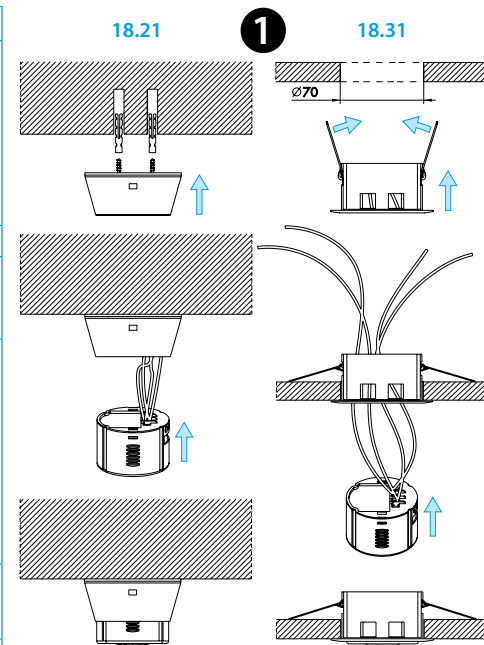




18.21

18.31

EN 60669 - 1 / EN 60669 - 2 - 1			
<p>18.x1.8.230.0000 U_N (120...230)V AC (50/60 Hz) U_{min} - U_{max} 96 V AC - 253 V AC</p>	<p>18.x1.8.230.0300 U_N (120...230)V AC (50/60 Hz) U_{min} - U_{max} 96 V AC - 253 V AC</p>		
	<p>18.x1.0.024.0300 U_N 24 V AC (50/60 Hz) / DC U_{min} - U_{max} (19.2 V - 26.4 V) AC/DC</p>		
P 2 V A (50 Hz) / 1 W			
<p>1 NO (SPST-NO) 10 A 120 V AC 10 A 230 V AC</p>	<p>1 NO (SPST-NO) 10 A 250 V AC</p>		
<p>AC1 (230 V) 2300 VA AC15 (230 V) 450 VA</p>	<p>AC1 (230 V) 2500 VA AC15 (230 V) 450 VA</p>		
<p> (120 V AC) 500 W (230 V AC) 1000 W</p>	<p> (230 V) 1000 W</p>		
<p> (120 V AC) 200 W (230 V AC) 350 W</p>	<p> (230 V) 350 W</p>		
<p>CFL-LED (230 V) 300 W</p>	<p>CFL-LED (230 V) 300 W</p>		
<p> (-10...+50)°C</p>			
IP40			



ENGLISH

18.21-18.31 PIR DETECTOR FOR INTERNAL INSTALLATIONS

1 INSTALLATION SEQUENCE

2 CONNECTION DIAGRAM 2a-2b Internal connections

3 SETTINGS

A ambient light intervention threshold (5...350)lx

B output on-pulse time (10s...12min)

NOTE

By adjusting the selector A to the maximum value the PIR will control the contact independent of the ambient light level

4 FUNCTION CHART

4a Detection of movement

Output Contact

5 SIDE VIEW

(Sensing area - Ceiling mounting)

5a Multiple installation

6 DISASSEMBLY

7 ACCESSORIES

NOTE

- Following the initial power-on, and power-on following a power interruption, the detector makes a hardware-software initialisation for approximately 30 seconds

- The versions with supply 24 V AC/DC are not suitable for the connection to a SELV circuit

