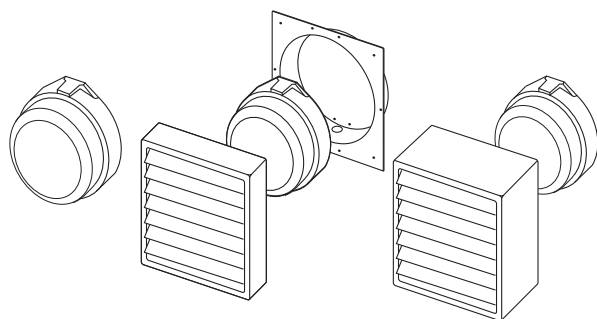


AVH 11-series

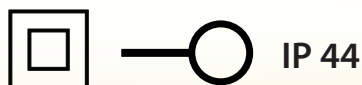


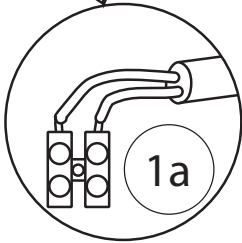
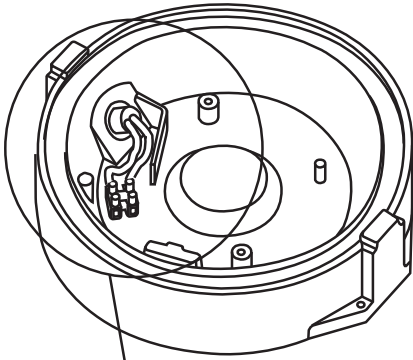
AVH 11
 t_a 125°C

AVH 11.1

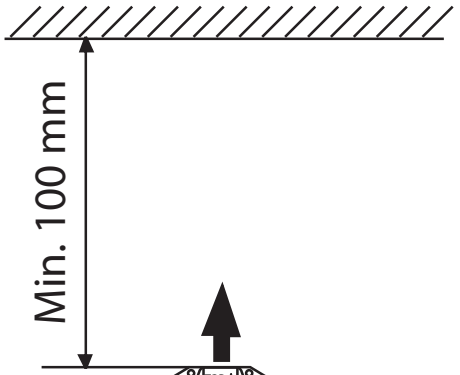
AVH 11.2
 t_a 125°C

- FIN** Käyttöohje
- SWE** Bruksanvisning
- ENG** Operation instruction
- DEU** Bedienungsanleitung
- LIT** Instrukcija
- POL** Instrukcja
- EST** Kasutamishüend
- RUS** Инструкция по эксплуатации
- UKR** Інструкція з експлуатації

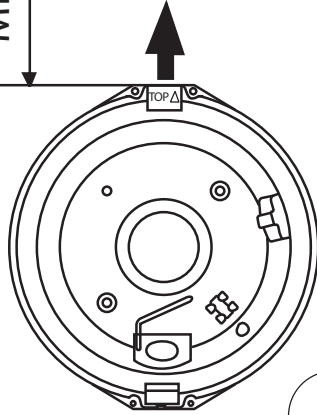




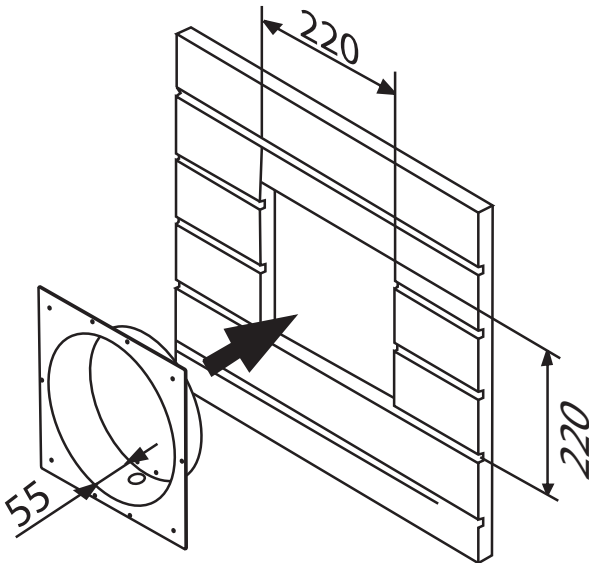
1



Min. 100 mm



2



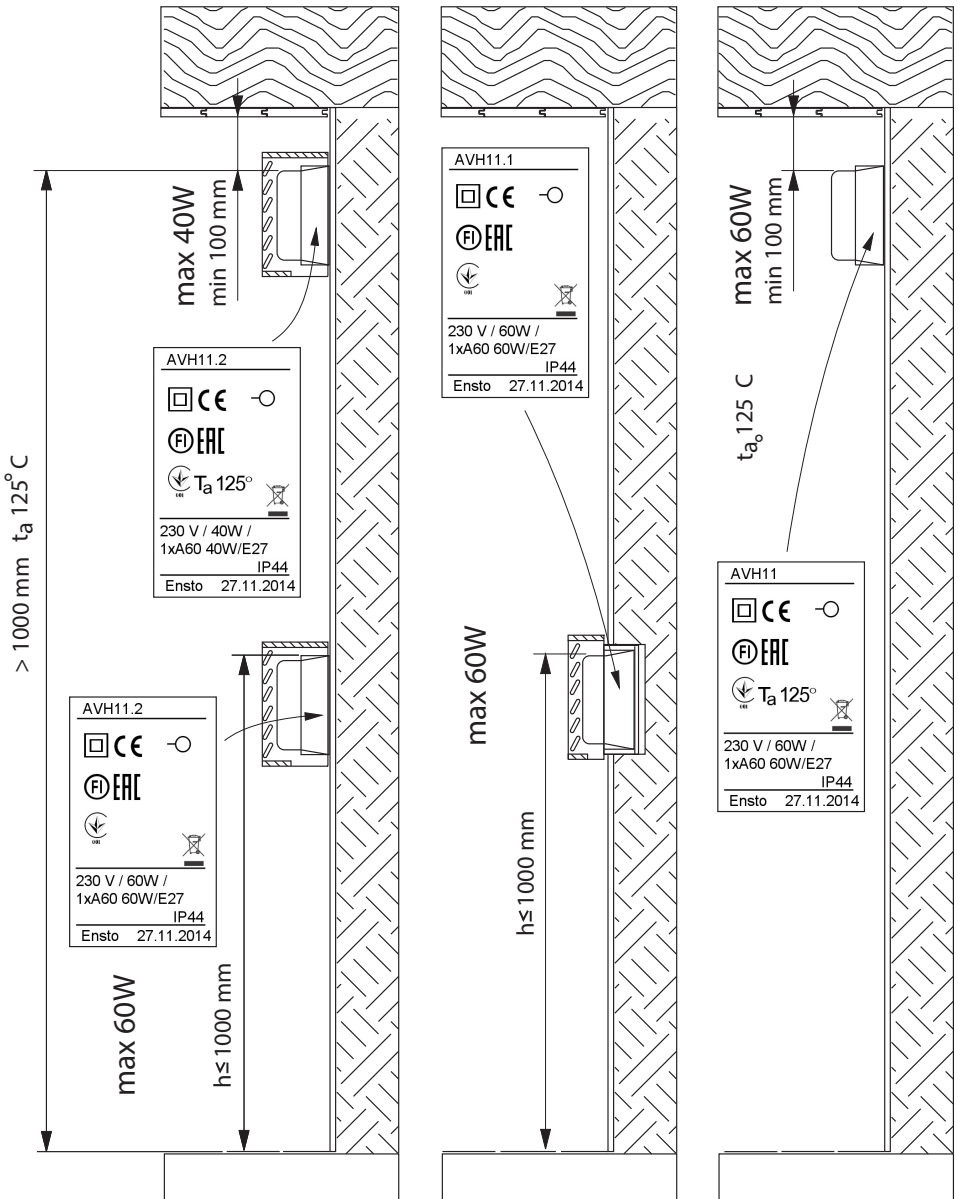
3

4

AVH 11.2

AVH 11.1

AVH 11



1. GENERAL INFORMATION

AVH 11 is a sauna light fitting, but due to its capabilities also suitable in other locations, e.g. in dressing and social rooms as well as for outside applications, e.g. on terraces and balconies.

THIS INSTALLATION INSTRUCTION MUST BE KEPT FOR FUTURE MAINTENANCE.
 THE INSTALLATION HAS TO BE MADE ONLY BY A COMPETANT INSTALLER.
 USE ONLY THE LIGHT SOURCE AND POWER MARKED ON THE LIGHT FITTING. (See chapter 3).

2. INSTALLATION AND SERVICE

Switch off the current before installation or service.

- The fitting is not for ceiling mounting. By surface as well as by recessed mounting the minimum distance between ceiling and upper edge of the fitting should be 10 cm (fig. 2).
- Do not install the light fitting above the sauna stove, horizontally minimum distance from the sauna stove 0.5 m. Mount the light fitting with the TOP-mark upwards (fig. 2).
- By installation in the steam room in a height of more than 1 m above the floor, the cable must be a type that endures at least 180 °C.
- Remove the glass by pressing downwards the spring and at the same time pulling the glass away from the base.

LIGHT SOURCES AND MOUNTING IN THE SAUNA, picture 4

AVH 11	is for surface mounting. Max 60W, t_a 125°.
AVH 11.1	is for recessed installation ($\leq 1m$) ; the light fitting is delivered with flush box and pineprotection grill. Fasten wiring tube to the flush box e.g. with a muff used in distribution boards. Make an opening, 220 mm x 220 mm, in the panel wall for the steel flush box. (fig 3). Fasten the light fitting to the flush box with the enclosed long screws and the grill to the box with the short screws. Light source 60W, see chapter 3.
AVH 11.2	is for surface mounting; the light fitting is delivered with a grill. Light source max. 40W (60W, $\leq 1m$), see chapter 3.

WIRING, picture 1a

- Connect the neutral conductor to the terminal **N** and the phase conductor to the terminal **L**.
- Put on the glass by directing the edge of the glass to the hollow at the TOP-mark; press the spring downwards and put on the glass.

3. CHANGING OF THE POWER MARKING

- The power marking can be changed to Max. 60W always in AVH 11 luminaire and in AVH 11.1 / AVH 11.2 luminaires when installed lower than 1m above floor level.
- Cover the Max. 40W marking on reflector with the enclosed sticker (Max. 60W).