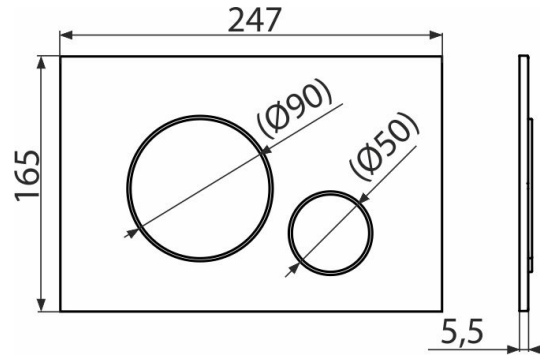
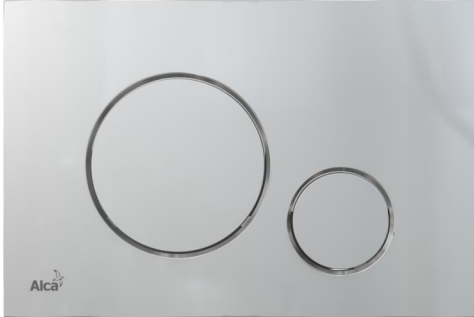


M672 THIN

Flush plate for pre-wall installation systems, chrome-matt



Application

For pre-wall installation systems and concealed WC cisterns

Features

- Double-acting mechanical flushing
- Compatible with all Alcaplast pre-wall installation systems and cisterns for building into solid walls
- Material: plastic
- Surface finish: chrome-matt
- The flush plate thanks to its profile stands out only 5.5 mm above the tiles

Scope of supply

- Template for correct flush plate setup
- Flushing mechanism screws 2 pcs
- Flush plate
- Fixing frame of the flush plate
- Threaded frame clamp 2 pcs

Order number, Logistic information

Code	EAN		Weight (kus packing palett)	Dimensions (piece packing)	Quantity (packing palett)
M672	8595580562687	Chrom-mat	0,3439 8,5975 260,7300 kg	250×170×36 595×395×245 mm	25 700 pcs

Guarantee

2/2 years

Customs code

39269097

Technical specifications

- Operating force < 20 N