

# Produktdatablad

Specifikationer



## Harmony signallampehoved i plast for LED med linse i grøn farve

EI-nr.: 7517904773 ZB5AV033

EAN-nr : 3389110908084

### Egenskaber

Produktserie	Harmony XB5
Produkttype	Hoved til signallampe
Produktet passer med	Integreret LED
Enheds forkortelse	ZB5
Materiale og farve på frontring	Mørkegrå plast
Montagediameter	22 mm
Hovedtype	Standard
Mindst mulige salgsantal	1
Form på hoved	Rundt
Farve på trykflade eller linse	Grøn
Yderligere egenskaber	Med almindelig linse

### Produktinformationer

Bredde	29 mm
Højde	29 mm
Dybde	31 mm
Vægt	0,017 kg
Kanalnavn	XALD 1...5 montagehuller XALK 2...5 montagehuller
Kode for elektrisk sammensætning	P1 i Montering forfra med integreret LED P2 i Montering forfra med integreret LED og transformer PF1 i Montering forfra med integreret LED PR1 i Montering bagfra med integreret LED
Præsentation af enhed	Som løsdele

### miljø

Beskyttelsesbehandling	TH
Omgivelsestemperatur ved opbevaring	-40...70 °C
Omgivelsestemperatur under drift	-40...70 °C
Overspændingskategori	Klasse II i henhold til IEC 60536
IP kapslingsklasse	IP66 i henhold til IEC 60529

IP67 i henhold til IEC 60529  
IP69 i henhold til IEC 60529  
IP69K i henhold til ISO 20653

<b>NEMA kapslingsklasse</b>	NEMA 13 NEMA 4X
<b>Modstandsdygtighed overfor højtryksrensning</b>	7000000 Pa ved 55 °C, distance : 0.1 m
<b>IP kapslingsklasse</b>	IK05 i henhold til IEC 50102
<b>Standarder</b>	CSA C22.2 No 14 EN/IEC 60947-5-5 EN/IEC 60947-1 EN/IEC 60947-5-4 JIS C8201-5-1 EN/IEC 60947-5-1 UL 508 JIS C8201-1
<b>Vibrationsmodstand</b>	5 gn (f= 2...500 Hz) i henhold til IEC 60068-2-6
<b>Modstandsdygtighed overfor stød</b>	30 gn (varighed = 18 milisekund) til Halv sinusbølge acceleration i henhold til IEC 60068-2-27 50 gn (varighed = 11 milisekund) til Halv sinusbølge acceleration i henhold til IEC 60068-2-27

## Forpakkingsinformation

<b>Enhedstype forpakning 1</b>	PCE
<b>Antal enheder forpakning 1</b>	1
<b>Forpakning 1 vægt</b>	15 g
<b>Forpakning 1 højde</b>	3,4 cm
<b>Forpakning 1 bredde</b>	4,5 cm
<b>Forpakning 1 længde</b>	5,4 cm
<b>Enhedstype forpakning 2</b>	S03
<b>Antal enheder forpakning 2</b>	300
<b>Forpakning 2 vægt</b>	5,26 kg
<b>Forpakning 2 højde</b>	30 cm
<b>Forpakning 2 bredde</b>	30 cm
<b>Forpakning 2 længde</b>	40 cm
<b>Enhedstype forpakning 3</b>	P06
<b>Antal enheder forpakningstype 3</b>	2400
<b>Forpakning 3 vægt</b>	50,788 kg
<b>Forpakning 3 højde</b>	77 cm
<b>Forpakning 3 bredde</b>	60 cm
<b>Forpakning 3 længde</b>	80 cm

## Bæredygtighed

<b>Bæredygtighed</b>	Green Premium-produkt
<b>REACH-regulering</b>	<a href="#">REACH-erklæring</a>
<b>REACH uden SVHC</b>	Ja
<b>EU RoHS-direktiv</b>	Proaktiv overensstemmelse (produkt ikke omfattet af EU RoHS) <a href="#">EU RoHS-erklæring</a>
<b>Uden giftige tungmetaller</b>	Ja
<b>Kviksølvfri</b>	Ja
<b>Oplysninger om RoHS-undtagelse</b>	<a href="#">Ja</a>

---

<b>Kina RoHS-regulering</b>	<a href="#">Kina RoHS-erklæring</a>
<b>Miljømæssige oplysninger</b>	<a href="#">Miljøprofil for produkt</a>
<b>Cirkularitetsprofil</b>	<a href="#">Oplysninger om udtjent udstyr</a>

---

## Garanti

---

<b>Garanti</b>	18 months
----------------	-----------

---

## Samhandelsbetingelser DK

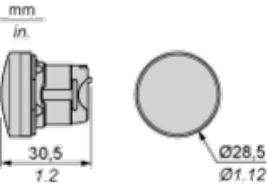
---

<b>Lagerkode</b>	På lager
------------------	----------

---

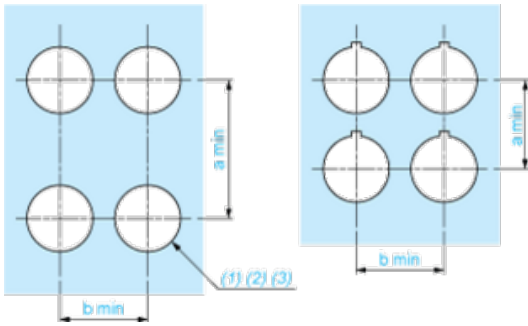
**Dimensions**

---



**Panel Cut-out for Pushbuttons, Switches and Pilot Lights (Finished Holes, Ready for Installation)**

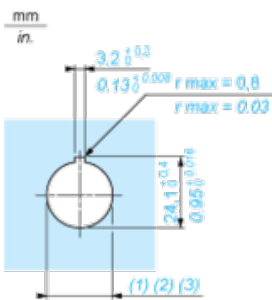
**Connection by Screw Clamp Terminals or Plug-in Connectors or on Printed Circuit Board**



- (1) Diameter on finished panel or support
- (2) For selector switches and Emergency stop buttons, use of an anti-rotation plate type ZB5AZ902 is recommended.
- (3)  $\varnothing 22.5$  mm recommended ( $\varnothing 22.3 \text{ }_0^{+0.4}$ ) /  $\varnothing 0.89$  in. recommended ( $\varnothing 0.88 \text{ in. }_0^{+0.016}$ )

Connections	a in mm	a in in.	b in mm	b in in.
By screw clamp terminals or plug-in connector	40	1.57	30	1.18
By Faston connectors	45	1.77	32	1.26
On printed circuit board	30	1.18	30	1.18

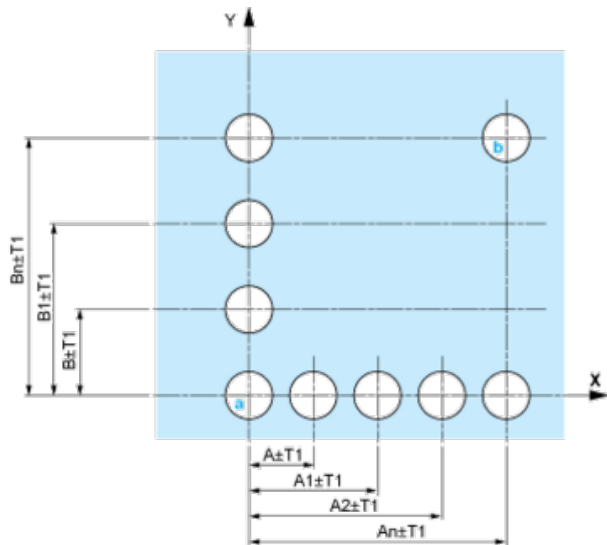
**Detail of Lug Recess**



- (1) Diameter on finished panel or support
- (2) For selector switches and Emergency stop buttons, use of an anti-rotation plate type ZB5AZ902 is recommended.
- (3)  $\varnothing 22.5$  mm recommended ( $\varnothing 22.3 \text{ }_0^{+0.4}$ ) /  $\varnothing 0.89$  in. recommended ( $\varnothing 0.88 \text{ in. }_0^{+0.016}$ )

**Pushbuttons, Switches and Pilot Lights for Printed Circuit Board Connection**

**Panel Cut-outs (Viewed from Installer's Side)**

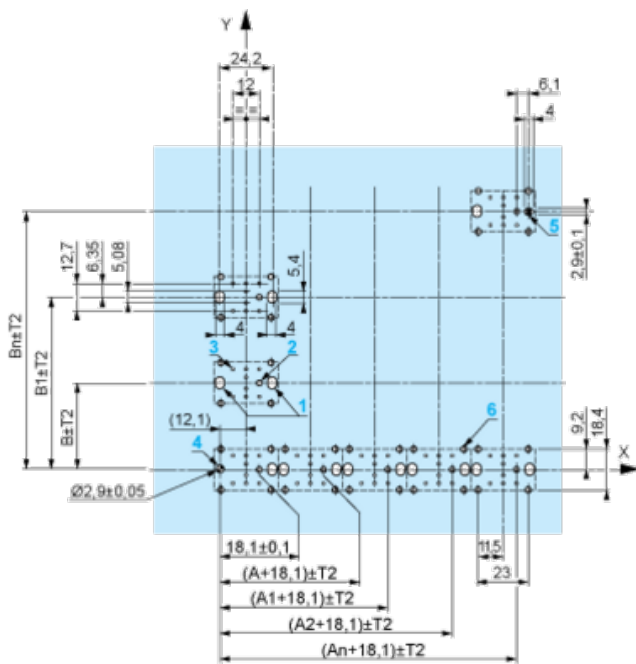


A: 30 mm min. / 1.18 in. min.

B: 40 mm min. / 1.57 in. min.

**Printed Circuit Board Cut-outs (Viewed from Electrical Block Side)**

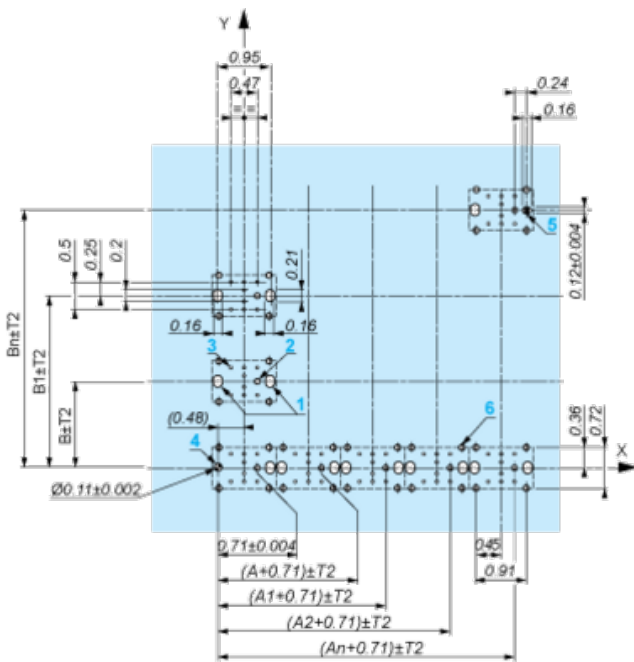
Dimensions in mm



A: 30 mm min.

B: 40 mm min.

Dimensions in in.



A: 1.18 in. min.

B: 1.57 in. min.

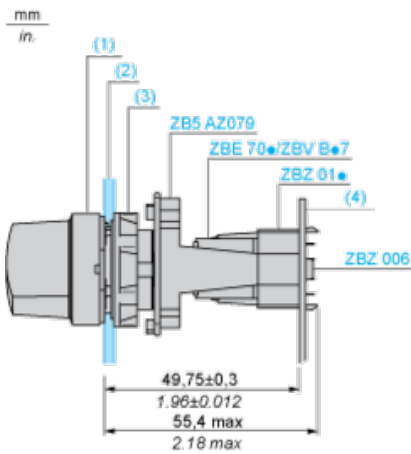
### General Tolerances of the Panel and Printed Circuit Board

The cumulative tolerance must not exceed 0.3 mm / 0.012 in.:  $T1 + T2 = 0.3 \text{ mm max.}$

### Installation Precautions

- Minimum thickness of circuit board: 1.6 mm / 0.06 in.
- Cut-out diameter: 22.4 mm  $\pm$  0.1 / 0.88 in.  $\pm$  0.004
- Orientation of body/fixing collar ZB5AZ009:  $\pm 2^\circ 30'$  (excluding cut-outs marked **a** and **b**).
- Tightening torque of screws ZBZ006: 0.6 N.m (5.3 lbf.in) max.
- Allow for one ZB5AZ079 fixing collar/pillar and its fixing screws:
  - every 90 mm / 3.54 in. horizontally (X), and 120 mm / 4.72 in. vertically (Y).
  - with each selector switch head (ZB5AD•, ZB5AJ•, ZB5AG•).

The fixing centers marked **a** and **b** are diagonally opposed and must align with those marked **4** and **5**.



(1) Head ZB5AD•

(2) Panel

(2) Nut

(4) Printed circuit board

### Mounting of Adapter (Socket) ZBZ01•

- 1 2 elongated holes for ZBZ006 screw access
- 2 1 hole  $\varnothing$  2.4 mm  $\pm$  0.05 / 0.09 in.  $\pm$  0.002 for centring adapter ZBZ01•
- 3 8  $\times$   $\varnothing$  1.2 mm / 0.05 in. holes
- 4 1 hole  $\varnothing$  2.9 mm  $\pm$  0.05 / 0.11 in.  $\pm$  0.002, for aligning the printed circuit board (with cut-out marked **a**)
- 5 1 elongated hole for aligning the printed circuit board (with cut-out marked **b**)
- 6 4 holes  $\varnothing$  2.4 mm / 0.09 in. for clipping in adapter ZBZ01•

Dimensions  $An + 18.1$  relate to the  $\varnothing$  2.4 mm  $\pm$  0.05 / 0.09 in.  $\pm$  0.002 holes for centring adapter ZBZ01•.

**Electrical Composition Corresponding to Codes P1, P3, PF1, PR1 and PF2**

---

Light block





**Electrical Composition Corresponding to Codes M6 and P2**

---



**Legend**

---

Single contact



Double contact



Light block



Possible location

