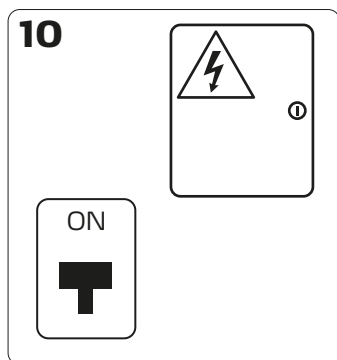
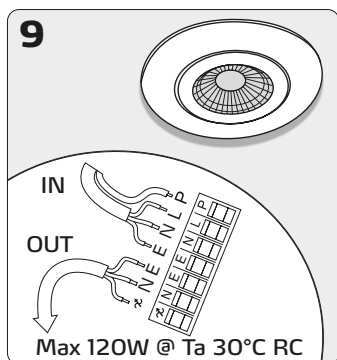
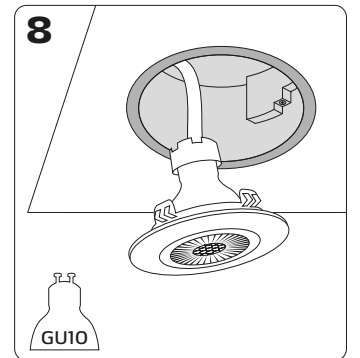
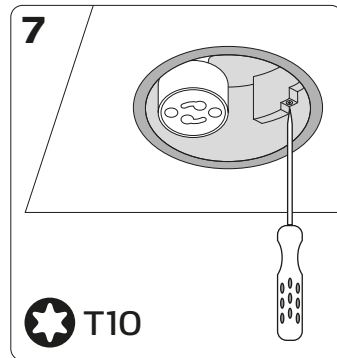
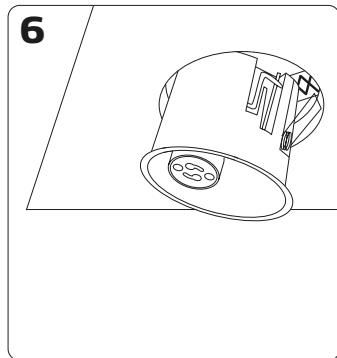
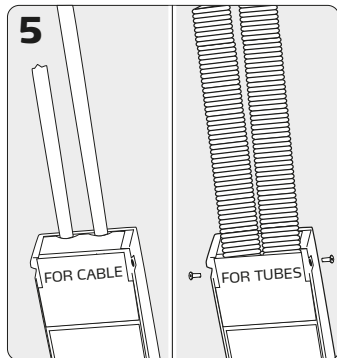
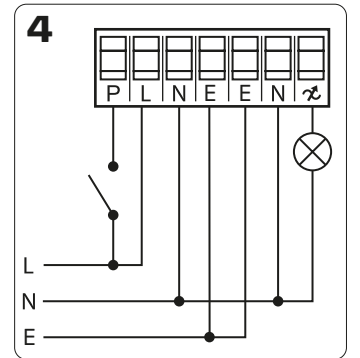
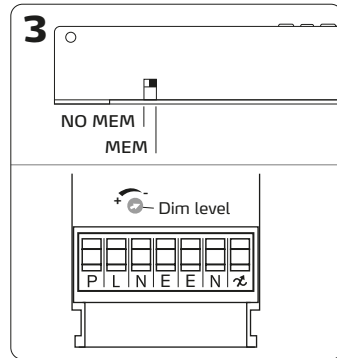
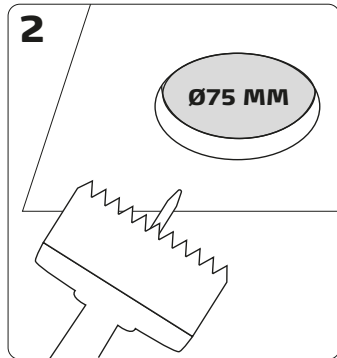
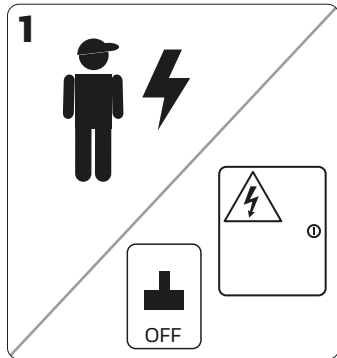
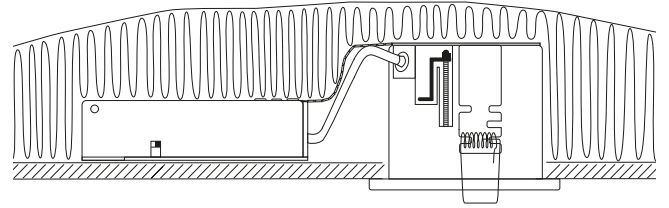
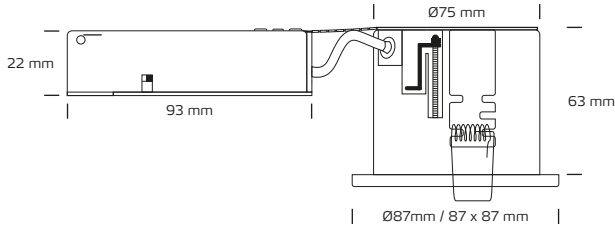


Uni Install Dimmer excl. light source



- 220-240 VAC
- Max. 7.5W LED
- GU0
- Ø75
- 63 mm
- 30°
- IP44
- 48
- 768
- CE
- RoHS
- Recycling symbol