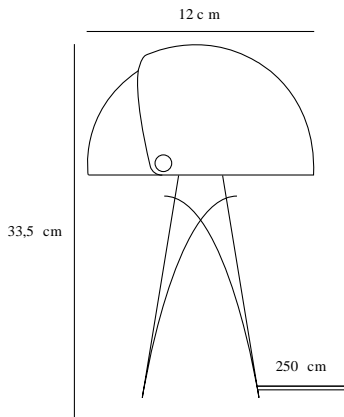


ALIGN | TABLE LIGHTING | GREY

2120095010



Voltage (V): 230 Volt
IP degree if the fixture includes two types of IP degree: IP20
Maximum compatible bulb wattage (W): 25W
Class (Class I, Class II, Class III): Class 2 (Double isolated)
Lampholder type (eg, E27/E14, etc): E27
Switch placement: On the cable

Primary material: Metal
Color of the cable: Grey
Length of the cable (cm): 250
Is the cable replaceable: False

Color: Grey
Height (cm): 33.5
Shade Diameter (cm): 22
Tilt Angle (°): 340
EAN: 5704924004131
Item Number: 2120095010

Pcs Per Master Carton: 3
Sales Box Height (cm): 34.5
Sales Box Width(cm): 24
Sales Box Depth (cm): 22
Sales Box Volume m³ : 0.0182
Net weight of the luminaire (kg): 3

- Satin soft, matt surface • Beautiful brass details
- Movable shade for a playful look and changeable light • Satin soft, matt surface

Align is a series of contemporary and elegant table lamps by Danish designer Maria Berntsen that encourage interaction and curiosity. The inner shade of the lamp is static, while the outer shade can easily be moved for a changeable light that fits any need. The design language is simple, yet playful with a satin soft, matt surface and beautiful brushed brass details.