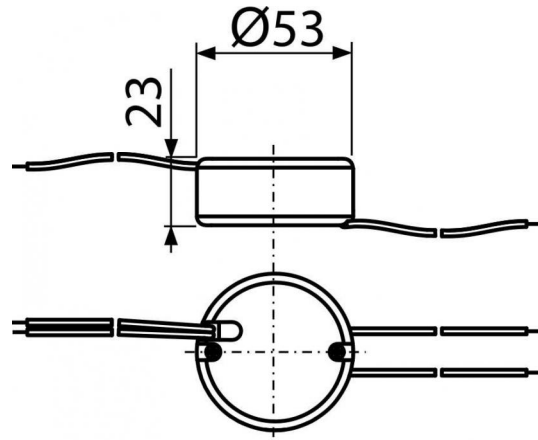


AEZ310

Power supply 230 V AC/12 V DC/12 W, IP20



Application

For sensor flushing of toilet and urinal

Features

- Source of safe voltage 230/12 V power sensor designed for sensor program

Scope of supply

- Power supply unit

Order number, Logistic information

Code	EAN	Weight (kus packing palett)	Dimensions (piece packing)	Quantity (packing palett)
AEZ310	8595580503376	0,0510 0,0000 20,0000 kg	65x65x30 – mm	1 – pc

Guarantee

2/2 years

Customs code

85044090

Norms

NV 17/2003, NV 616/2006

Technical specifications

- Degree of protection IP20
- Input voltage 230 V AC
- Performance: max. 12 W
- Output voltage 12 V DC
- Output current max. 1 A