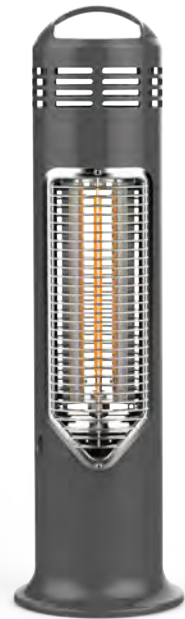


MENSA HEATING[®]

MAKES YOU WANT TO STAY



IMUS

Season Extender

IMUS

For the garden, balcony or camping. Imus provides eco-friendly outdoor heat exactly where you want it. Imus is designed to fit under your existing garden table to make those long cozy evenings even longer. Soothing heat from harmless infrared light is used to increase vibrations in our cells which then heats up the body. Because Imus's infrared heat source is placed to optimize the body's natural heating system, the end result is a pleasant soothing heat throughout.

Extend your season using MENSA HEATING's innovative heat technology. Extend your outdoor season by several months.

Soak up the relaxing and comfortable warmth as it rises up through the body leaving you to enjoy the pleasure of the outdoors late into the season.

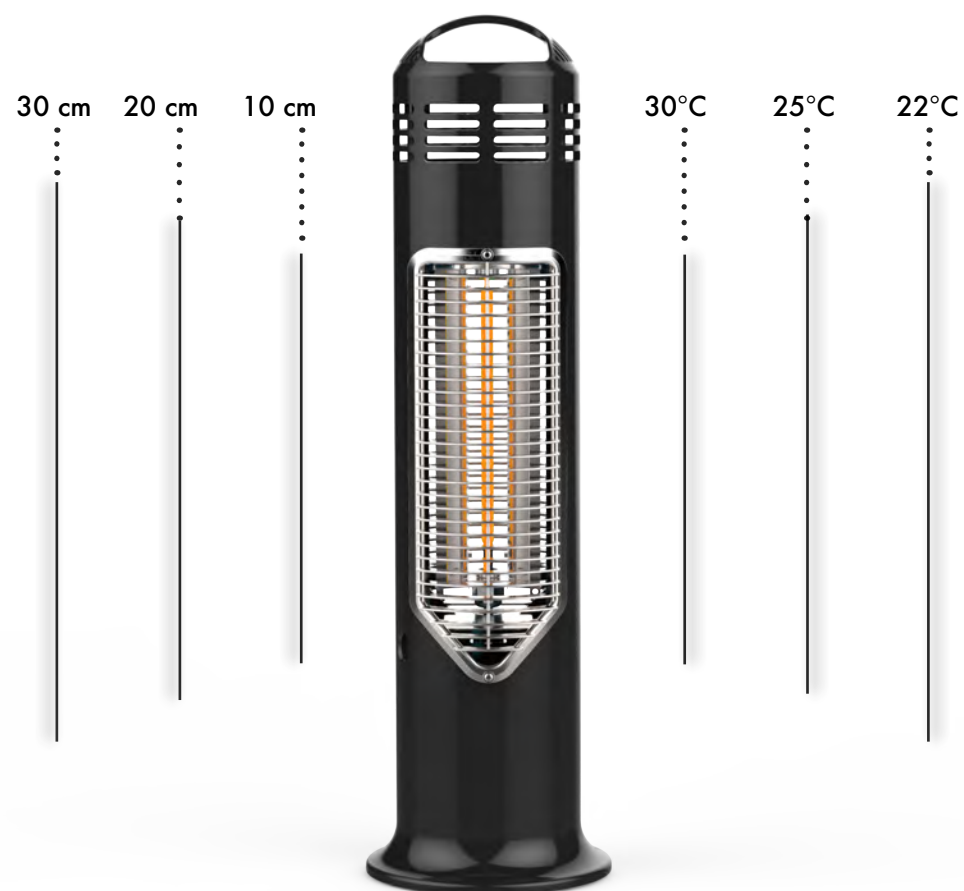
Imus slots easily under a table, so it's quick to take out or move back in after a pleasant evening on the patio, balcony or even out camping. Simply plug the product into an outlet to enjoy immediate soothing warmth.

**SAFE
TOUCH**



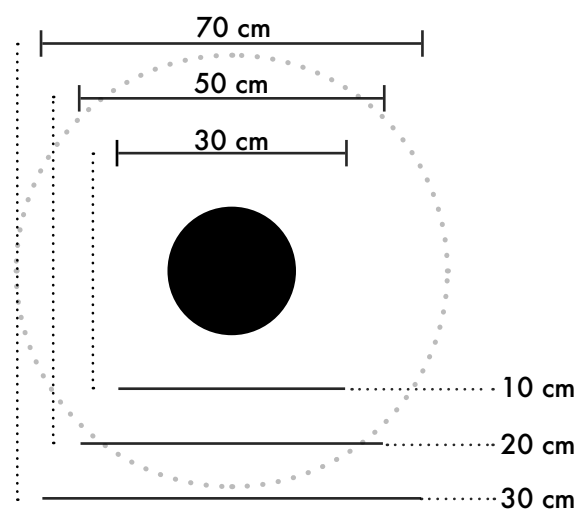
Heat Radiation - 550 watt

Measurements in, windless conditions with a surrounding temperature of 16,5 °C



Heat spread of IMUS

Top = heat spread / bottom = distance from heater



Specifications - IMUS

- Design

Mikael Mammen

- Description

Imus provides eco-friendly outdoor heat exactly where you want it. Imus is designed to fit under your existing garden table to make those long cosy evenings even longer. Imus is fitted with an On/Off switch, overheat sensor, handle in the top. High temperature plastic tube

- Heat specification

IMUS is designed to heat 2 persons sitting on each side of the table, using a 550 watt short wave infrared heating bulb. The bulb is placed inside the tube of IMUS, in a aluminium bipolar lamp house.

- On/Off switch

Placed on the side of the table leg (1)

- Gri

The gri in front of the heating lamp, is designed

- Ventilation holes

In the top of IMUS (3) there are ventilation holes which keep IMUS cool when in use

- Power Supply

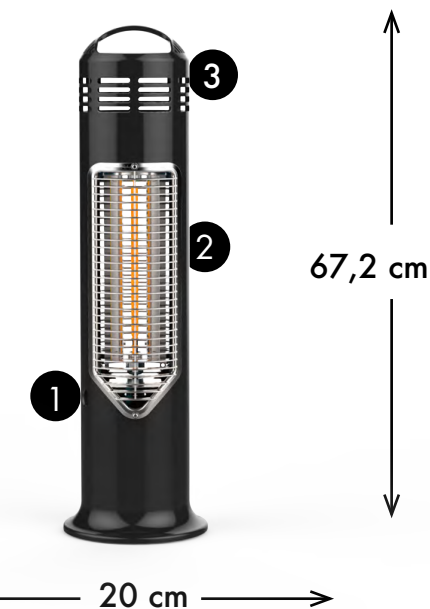
IMUS is powered with 230 ~ AC 50 HZ

- Cables

IMUS is fitted with a 1,8 meter power cable

- Power outlet requirements

Products must be connected to a power outlet with ground (GND)



- Weight

3,6 kg without tabletop

- Measurements

67,2 cm X 20 cm

- Power consumption

550 watt

- Bulb Rated lifetime

7000 hours (changeable)

- Surface finish

Powdercoated (foot)
Full died plastic (tube)
h

- #

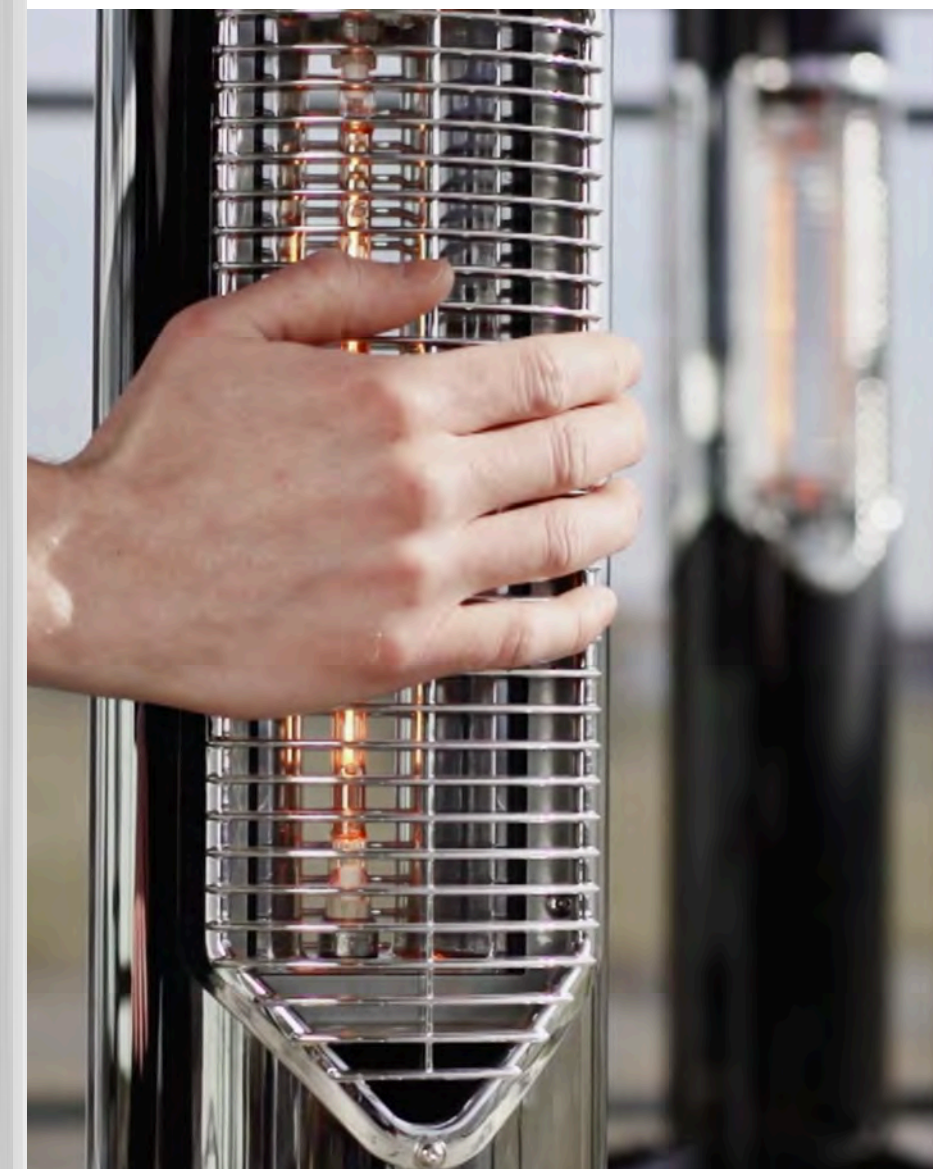
"

8

†

- IP Rating

IP44



Season Extender

WITH SAFE TOUCH

MENSA HEATING®

www.mensaheating.com

SAFE TOUCH

IMUS is an electric infrared patio heater in beautiful Danish design and the only one in the world with SAFE TOUCH. With SAFE TOUCH you no longer need to be afraid of burning your fingers, hands or legs as the patio heater's unique design makes it safe to touch. Let safely the patio heater turned on - even when children play around it. With IMUS you get an efficient, economic and safe patio heater, which is also environmentally friendly. "Plug & Play" - no irritating gas bottles, which runs out of gas just when dinner is ready and at the same time the operating cost 1/10 of a gas patio heater.

- SAFE TOUCH
- Minimal environmental impact
- Very low operating cost
- Plug & Play
- Danish design



- Important instructions / Warning

Read all instructions before using this heater

- Keep combustible materials like furniture, pillows, papers, clothes away from the heater
- To disconnect heater, turn controls to off, then remove plug from outlet.
- Always unplug heater when not in use
- To prevent a possible fire, do not block air intakes or exhaust in any manner. Do not use on soft surfaces, like a bed, where openings may become blocked. (2),(3)
- Do not use with a tablecloth that extends more than 2 inches over the table edge.
- Do not place bags or other objects in such a way that they block the grid. (2)
- Do not insert or allow foreign objects to enter any ventilation or exhaust opening as this may cause an electric shock or fire, or damage the heater. (2),(4)
- Connect the product only to outlets with ground.
- This appliance is not intended for use by persons (including children) with reduced physical, sensory or mental capacity unless they are supervised and instructed by a person who is responsible for their safety.
- Do not place the heater directly below a power outlet
- This heater is not intended for use in bathrooms, laundry areas and similar indoor locations. Never locate heater where it may fall into a bathtub or other water container.
- Do not operate heater with a damaged cord or plug or after the heater malfunctions, has been dropped or damaged in any manner. Discard heater, or return to authorized service facility for examination and/or repair if this occurs
- Do not run cord under carpeting. Do not cover cord with throw rugs, runner, or similar covering. Do not route cord under furniture or appliances. Arrange cord away from traffic areas.
- Do not use it in areas where gasoline, paint, or flammable liquids are used or stored
- Always plug heater directly into a wall outlet/receptacle. Never use with an extension cord or relocatable power tab (outlet/power strip)
- This heater includes a visual alarm to warn that parts of the heater are getting excessively hot. If the alarm flashes, immediately turn the heater off and inspect for any objects on or adjacent to the heater that may cause high temperatures. **DO NOT OPERATE THE HEATER WHEN ALARM FLASHES.**
- Use this heater only as described in this manual. Any other use not recommended by manufacturer may cause fire, electric shock, or injury to persons.