

Floor boxes 3 modules

Number(s) : 896 44



Ref 89644

CONTENTS

CONTENTS	PAGES
1 Range	1
2 Technical characteristics	1 to 3
3 Material characteristics	3

1 RANGE.

Floor boxes 3 modules allows:

- integration in a technical floor or concrete (mini height necessary 80mm).
- to supply the workstation in power and data

Floor boxes 3 modules :



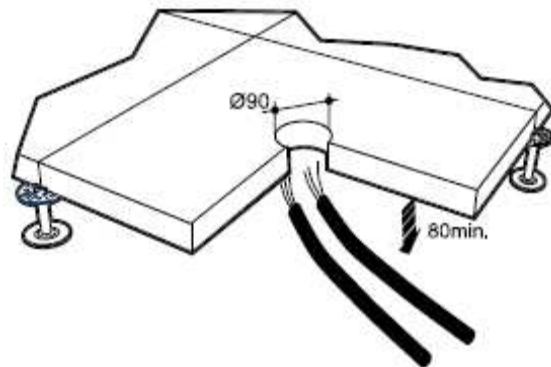
For restoration in the presence of a technical floor low depth or for concrete (height \geq 80mm)

- range: to equip with 1 socket 2P+T 2 modules Programs Mosaic and 1 socket RJ45 1 module program Mosaic or Arteur (1 socket 2P+T 2 modules and 1 socket RJ45 1 module)
- 2 covers of independent exit for the cables current low and high tension current
- conforms to standard NF EN 60.670-1
- IP 20/IK07
- grey color RAL 7031
- packing by 1

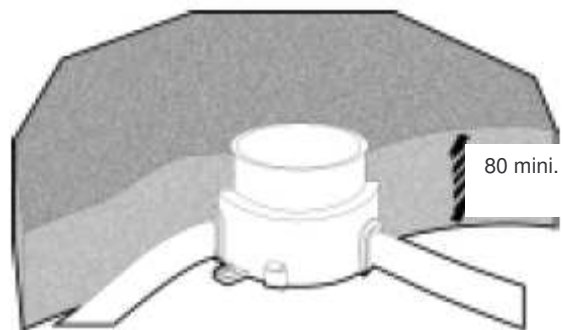
2 TECHNICAL CHARACTERISTICS

Installation height of mounting plastic under-floor boxes (mini 80mm).

In technical floor :

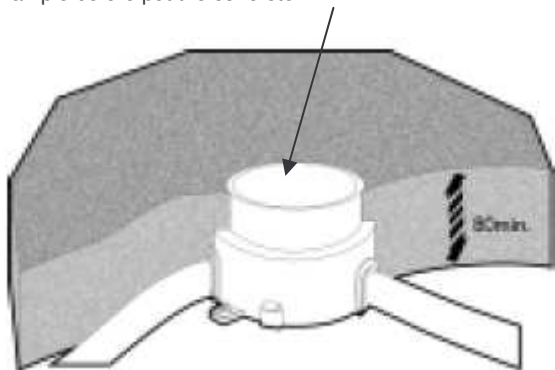


In concrete with plastic floor boxes ref 89649 :

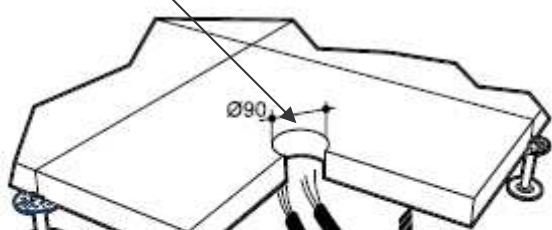


2 TECHNICAL CHARACTERISTICS (continued)

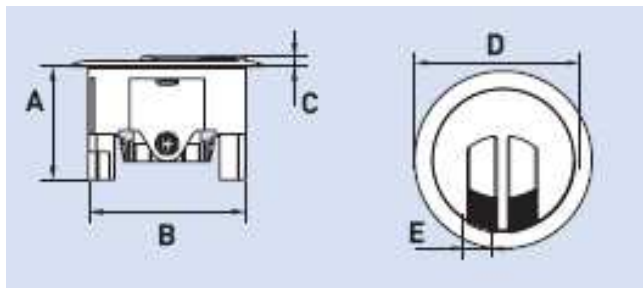
For information, in a use with concrete it is necessary to stop the hole of plastic floor boxes with adhesive tape or paperboard for example before put the concrete.



Technical floor is cut out according to floor boxes 3 modules :



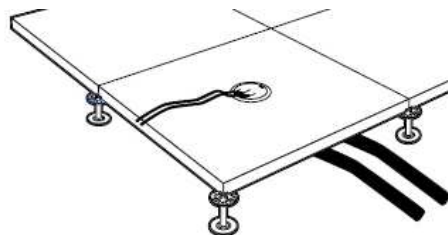
Dimensions of under floor boxes 3 modules :



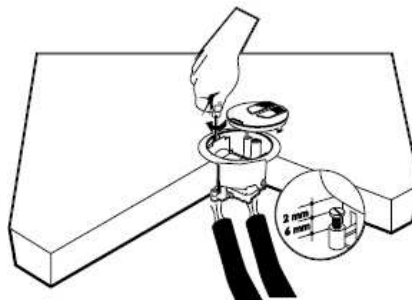
A	B	C	D	E
65	85	5,5	110	18

2 TECHNICAL CHARACTERISTICS (continued)

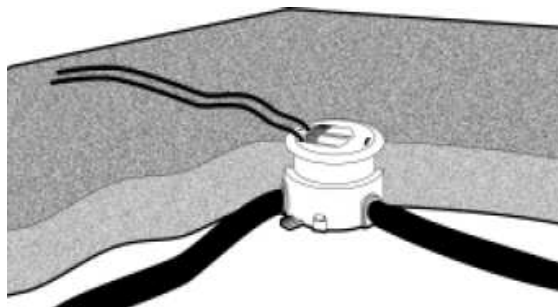
Fixing the floor box In technical floor :



To carry out a ¼ of a turn of the screws inside the floor boxes to release the claws then to screw home (the claws are fixed under the technical floor)



Fixing the floor boxes in concrete with plastic floor boxes ref 89649



To carry out a ¼ of a turn of the screws inside the floor boxes to release the claws then to screw home (the claws are fixed under the edge inside the plastic floor boxes)



2 TECHNICAL CHARACTERISTICS (continued)

The wiring device support allows to mount :

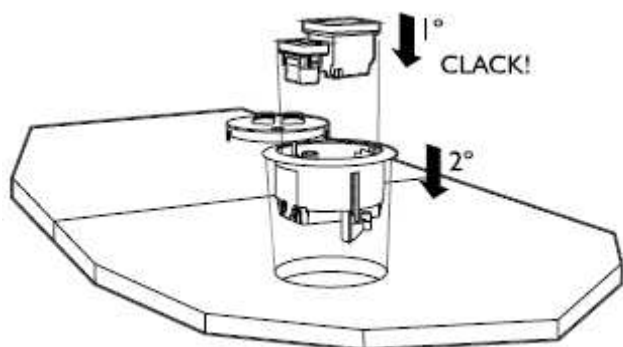
1 socket Mosaic standard 2 modules :



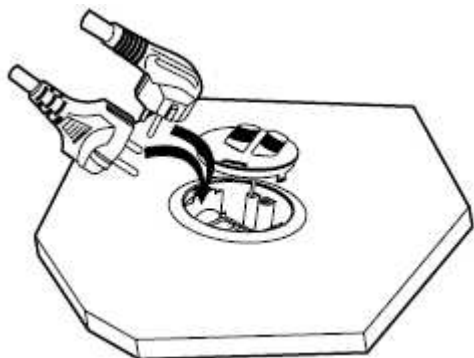
And 1 socket RJ 45 1 module only



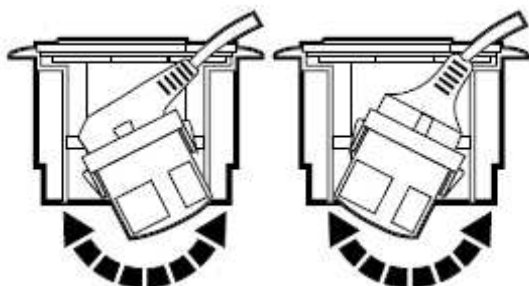
Installation by the top of sockets directly in the support 3 modules:



Possibility of installing a side outlet plug & straight outlet plug.



The support inside floor boxes 3 modules rocks and makes it possible to insert a side outlet plug & straight outlet plug



2 TECHNICAL CHARACTERISTICS (continued)

Technical information :

Compression test, 500N / 1cm² during 1 min :
Comply with norm CEI 60670-23 (2004)

No degradation after 10000 opening/closing

3 MATERIAL CHARACTERISTICS

The floor boxes are on plastic PC/ABS RAL 7031.
Temperature of use of transport and storage: -5°C/+60°C