

CoreLine Waterproof

WT120C G2 LED34S/840 PSU L1500

840 neutral white - Power supply unit

Whether for a new building or renovation of an existing space, customers want lighting solutions that provide quality of light and substantial energy and maintenance savings. The new CoreLine Waterproof range of LED products can be used to replace traditional waterproof luminaires with fluorescent lamps. The process of selecting, installing and maintaining is so easy – it's a simple switch. Also available as an Interact Ready wireless CoreLine waterproof luminaire that works with Interact Pro lighting software and Interact Ready devices to provide a connected lighting system for SMEs

Warnings and Safety

- UV radiation will damage the material over time, resulting in loss of waterproof sealing and IP66 rating.
- Do not install the luminaire in locations where it will be exposed to direct sunlight.

Product data

General information		Flammability mark	
Light source colour	840 neutral white		D [For mounting on easily flammable surfaces]
Light source replaceable	No	CE mark	CE mark
Number of gear units	1 unit	ENEC mark	ENEC mark
Driver/power unit/transformer	PSU [Power supply unit]	Warranty period	5 years
Driver included	Yes	Remarks	*- According to the Lighting Europe guidance paper 'Evaluating performance of LED based luminaires – January 2018': statistically there is no relevant difference in lumen maintenance between the B50 and, for example, the B10. Therefore, the median useful life (B50) value also represents the B10 value.
Optic type	WB [Wide beam]		
Luminaire light beam spread	105°		
Control interface	-		
Connection	Push-in connector 3-pole		
Cable	-		
Protection class IEC	Safety class I		
Glow-wire test	Temperature 850 °C, duration 30 s		

CoreLine Waterproof

Constant light output	No
Number of products on MCB (16 A type B)	60
Photobiological risk	Photobiological risk group 0 @ 200mm to EN62471
EU RoHS compliant	Yes
Unified glare rating CEN	25

Light technical

Flickering	1
Stroboscopic effect	1.6

Operating and electrical

Input Voltage	220 to 240 V
Input frequency	50 or 60 Hz
Inrush current	5.16 A
Inrush time	0.047 ms
Power factor (min.)	0.9

Controls and dimming

Dimmable	No
----------	----

Mechanical and housing

Housing material	Polycarbonate
Reflector material	Steel
Optic material	Polycarbonate
Optical cover/lens material	Polycarbonate
Gear tray material	Steel
Fixation material	Stainless steel
Optical cover/lens finish	Frosted
Overall length	1515 mm
Overall width	80 mm
Overall height	76 mm
Colour	Grey
Dimensions (height x width x depth)	76 x 80 x 1515 mm (3 x 3.1 x 59.6 in)

Approval and application

Ingress protection code	IP65 [Dust penetration-protected, jet-proof]
-------------------------	-----------------------------------------------

Mech. impact protection code	IK08 [5 J vandal-protected]
Sustainability rating	-

Initial performance (IEC compliant)

Initial luminous flux (system flux)	3400 lm
Luminous flux tolerance	+/-10%
Initial LED luminaire efficacy	140 lm/W
Init. Corr. Colour Temperature	4000 K
Init. Colour rendering index	>80
Initial chromaticity	(0.38,0.38)SDCM<=3
Initial input power	24.3 W
Power consumption tolerance	+/-10%

Over time performance (IEC compliant)

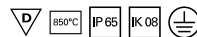
Control gear failure rate at median useful life 50,000 h	5 %
Lumen maintenance at median useful life* 50,000 h	L80

Application conditions

Ambient temperature range	-20 to +40 °C
Performance ambient temperature Tq	25 °C
Maximum dimming level	Not applicable
Suitable for random switching	Not applicable

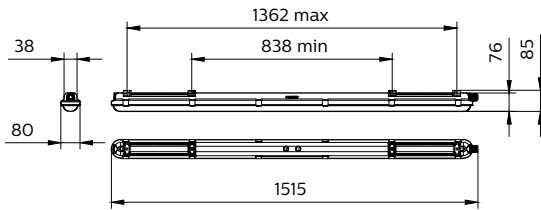
Product data

Full product code	871829184047300
Order product name	WT120C G2 LED34S/840 PSU L1500
EAN/UPC – product	8718291840473
Order code	84047300
SAP numerator – quantity per pack	1
Numerator – packs per outer box	9
SAP material	911401823680
Copy Net Weight (Piece)	1.700 kg



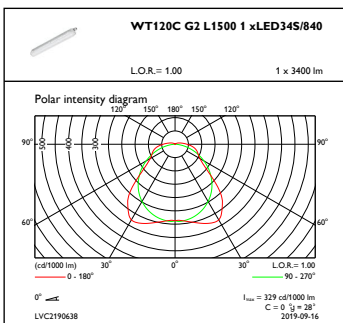
CoreLine Waterproof

Dimensional drawing

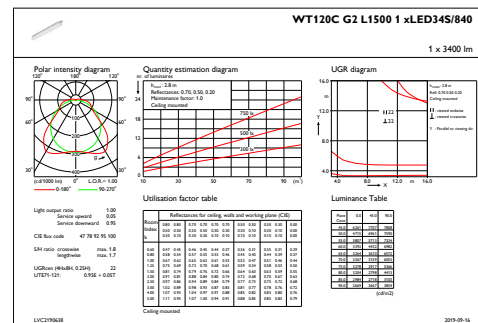


WT120C G2 LED34S/840 PSU L1500

Photometric data



OFPC1_WT120CG2L150001xLED34S840



IFGU1_WT120CG2L150001xLED34S840

