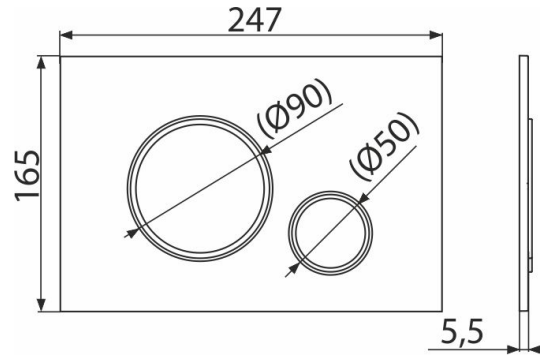


M771 THIN

Flush plate for pre-wall installation systems, chrome-polished/chrome-matt



Application

For pre-wall installation systems and concealed WC cisterns

Features

- Double-acting mechanical flushing
- Compatible with all Alcaplast pre-wall installation systems and cisterns for building into solid walls
- Material: plastic
- Surface finish: chrome-polished
- The flush plate thanks to its profile stands out only 5.5 mm above the tiles

Scope of supply

- Template for correct flush plate setup
- Flushing mechanism screws 2 pcs
- Flush plate
- Fixing frame of the flush plate
- Threaded frame clamp 2 pcs

Order number, Logistic information

| Code | EAN | | Weight (kus packing palett) | Dimensions (piece packing) | Quantity (packing palett) |
|------|---------------|----------------------|------------------------------------|---------------------------------|--------------------------------|
| M771 | 8595580562625 | Chrom-lesk/chrom-mat | 0,3364 8,4100 255,4800 kg | 250×170×36 595×395×245 mm | 25 700 pcs |

Guarantee

2/2 years

Customs code

39269097

Technical specifications

- Operating force < 20 N