

- MTR2000ERX 5454455 Radio: 2000W Timed Relay with Aerial
- MTR2000ERP 5454462 Radio: POWER 2000W Flush-mounted Timed Relay
- MTR2000ERPX 5454463 Radio: POWER 2000W Flush-mounted Timed Relay Module with External Aerial

Functions

This module may be used in wireless mode and by one or more additional local pushbuttons.

Technical Specifications

Mains voltage:	230V~ +10% -15% - 50Hz
Power on resistive load:	Max. 10A 2000W
Power on other loads:	please refer to the provided booklet DS1054-022
Module consumption:	< 1VA - < 0.3W
Radio frequency:	2.4GHz
Sound level:	<60dB a 20 cm
Ambient temperature:	from -20°C to +40°C
Relative humidity:	0 - 90%
Dimensions:	48 x 33 x 22.5 mm [1.96 x 1.30 x 0.88"]

RADIO RANGE

Standard Range:

- In the same room (< 100 m²)
- 50 m in open range

POWER Range (*):

- Inside 100 m² apartments with perpendicular crossing of main wall or ceiling
- 250 m in open range

(Note: in both cases the range may be reduced by the presence of metallic elements, crossing of walls, or partitions)

RADIO TRANSMISSION

The transmitter LED will light up only if the radio transmission was successful.

Adding an intermediate receiver will solve the problem of an insufficient range. Refer to the transmitter instruction booklet for more information.

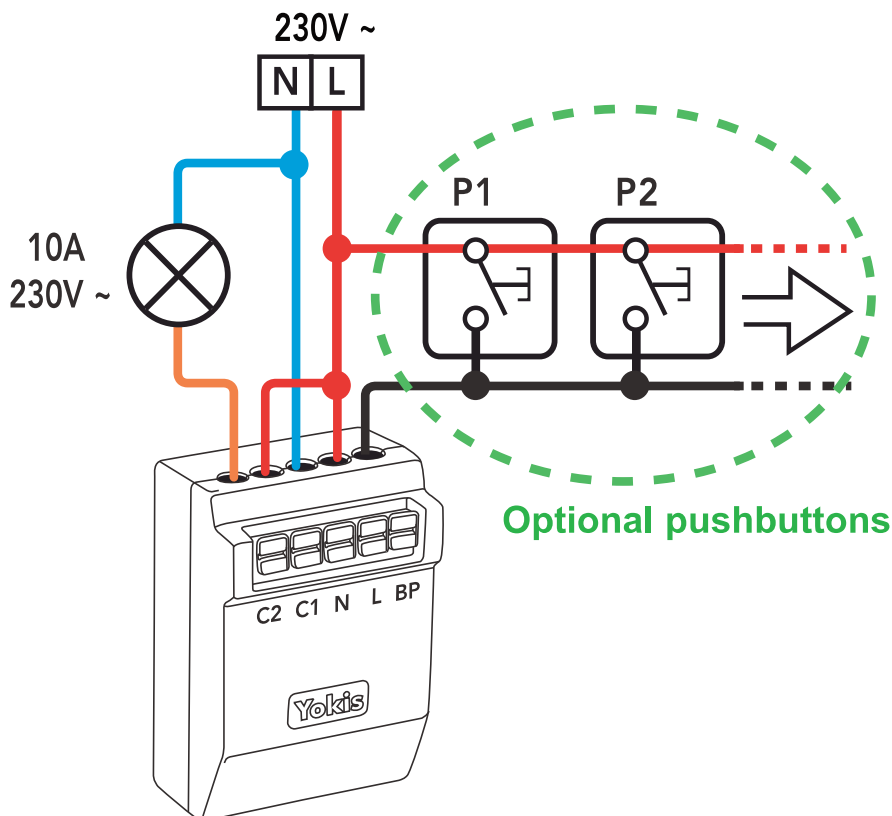


Special features of the MTR2000ER:

Switches may be used instead of pushbuttons with the MTR2000ER receiver (an E2BP transmitter must be used).

To establish a connection, switch **5** times rapidly (not 10!), instead of 5 pulses. Simply repeat the connection procedure with 5 pulses to use a pushbutton instead of the switch again.

WIRING



Installing Cautions

The module must be installed only by qualified personnel and into a place the end-user cannot access, according to the installing national rules.

In order to follow the safety rules, the module must be connected to a power line that is upstream protected by a magneto-thermic switch 10A C curve.

Except MTV500ER, for all other YOKIS radio receiver modules you must use a pointed and properly insulated tool to press the "connect" hole shortly.

IMPORTANT:

Before starting any configuration, press briefly **23** times to unlock the relay. The module will lock again automatically after 6 hours. It can also be locked immediately with **21** short presses.

(*) Contact an Urmet retailer or go to www.yokis.com for information on availability

MODULE CONFIGURATION TABLE

----- time configuration -----			----- function configuration -----		
Number of Presses (1)	Time (4)	Reply (2)	Number of Presses (1)	Function	Reply (2)
11	2 minutes	1 flash	20	Local control from switch (3)	10 flashes
12	4 minutes	2 flashes	21	Lock configurations	1 flash
13	8 minutes	3 flashes	22	Flashing mode (3)	2 flashes
14	15 minutes	4 flashes	23	Unlock configurations (with automatic lock after one hour)	3 flashes
15	30 minutes	5 flashes	24	Enable switch-off warning (3)	4 flashes
16	60 minutes (1 hour)	6 flashes	25	Set time in seconds (4)	5 flashes
17	120 minutes (2 hours)	7 flashes	26	Set time in minutes (4)	6 flashes
18	240 minutes (4 hours)	8 flashes	27	Timer/Relay Mode	7 flashes
19	no timing	9 flashes	28	Enable memory status in case of blackout (3)	8 flashes
			29	Enable extended time (3)	9 flashes
			30	Full reset to default settings	2 flashes

(1) Short presses sequence on pushbutton.

(2) Confirmation with flashes or relay clicks at the end of short presses sequence.

(3) Toggles the ON/OFF function (between activation and deactivation)

(4) The time may be set in minutes (default) or in seconds.

FUNCTIONS

Time configuration: **Timing is off by default.** All configurations are saved in the case of blackout. The on time can be configured from 2 seconds to 4 hours by means of short presses sequences (See table). **25** short presses will set the time in seconds (from 2 seconds to 4 minutes): (reply: 5 flashes). **26** short presses will return to a timing in minutes (from 2 minutes to 4 hours) (reply: 6 flashes).

Extended time: **“Extended time” is off by default.** **29** short presses will activate the “extended time” function. The light will be switched on for 12 hours when a connected pushbutton is pressed for longer than 3 seconds. Short press once to switch it off before the time has passed. The module will resume normal operation after switch-off (with the set time).

Warning: **Warning is off by default.** **24** short presses will activate the warning function. The light will flash briefly one minute before the switch-on time expires (10 seconds if the time was programmed in seconds). The pushbutton can be pressed again before the light goes out to extend the switch-on.

Current state memory in case of blackout: The current state of the relay may be saved in case of blackout to restore the state when power is restored. **28** short presses will do this. The contact will remain open if the relay was at rest (open) before the blackout. Otherwise it will close.

DIRECT MODE RADIO CONNECTION

1. Step 1:

5 short presses of the push button to be connected to the transmitter.

The transmitter LED will start flashing for 30 seconds, indicating that the system is waiting for a connection.

2. Step 2

While the transmitter LED is blinking, use a pointed and properly insulated tool to press the receiver "connect" hole shortly (*in the back of the container*).

The receiver relay will flash once and the transmitter LED will stop flashing if the connection was successful.

Warning: the receiver must be powered up.

To delete a connection: repeat the procedure above.

ADDITIONAL FUNCTIONS

Momentary (or relay) mode

This mode can be used to control a **dimmer or ringer** by means of the free contact of the MTR2000ER. In momentary mode, the contact of the MTR2000ER follows the transmitter pushbutton activation: the MTR2000ER contact is closed if the transmitter pushbutton is pressed. The contact will be open if the pushbutton is released.

1. Make **10** short presses on any pushbutton of the transmitter (Configuration Menu). The transmitter LED will flash rapidly.
2. While the LED is flashing, make **17** short presses of the pushbutton on the transmitter to be configured.
3. At the end of the **17** short press sequence, the LED will flash 7 times to confirm the configuration.

Pulse mode

This mode may be used to **control a gate, a garage door or to open a door with electric lock**.

In pulse mode, the MTR2000ER contact generates a single pulse of 0.5 seconds whenever the transmitter pushbutton is pressed.

1. Make **10** short presses on any pushbutton of the transmitter (Configuration Menu). The transmitter LED will flash rapidly.
2. While the LED is flashing, make **16** short presses of the pushbutton on the transmitter to be configured in pulse mode.
3. At the end of the **16** short press sequence, the LED will flash 6 times to confirm the configuration.

Flashing mode

In this mode, one or more lights will flash to alert **hearing impaired users** instead of an auditory signal. An E2BP transmitter connected to the ringer pushbutton must be added.

Making **22** short presses will activate or deactivate flashing mode. Additionally, make 10 short presses on any pushbutton on the transmitter (Configuration Menu). The transmitter LED will flash rapidly. Then make 19 short presses on the desired pushbutton.

CENTRALISATION

Two radio centralisation modes are possible, depending on the number of modules to be controlled and the distance between the various modules:

- Direct mode: up to 4 modules per pushbutton
- Radio bus mode: unlimited number of modules

Refer to the transmitter instruction booklet or the “Radio Memo” or go to www.yokis.com for more information.

IMPORTANT

Modules may also be centralised using a driver wire. It may be useful to plan the use a dedicated driver wire for centralisation in some peculiar installations, during module wiring.

Urmet S.p.a. – 10154 TORINO (ITALY) – Via Bologna 188/C

For technical information, go to www.yokis.com or call:

Customer Service: +39 011.23.39.810 - Export Dept. Phone: +39 011.24.00.250/256 -

Fax: +39 011.24.00.296



WARRANTY: In addition to the warranty required by law, this product is **guaranteed for 5 years** from date of manufacture. The material must be used according to the instructions provided and for its intended use. Faults must not be caused by deterioration or accidents resulting from negligence, anomalous use or incorrect installation. In all cases, the warranty only includes replacement of faulty products. No compensation for loss or damage may be claimed.