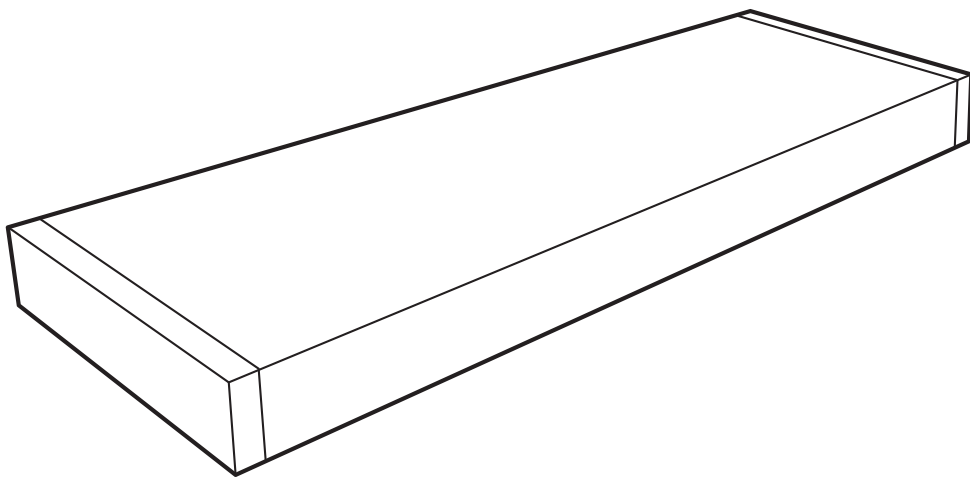
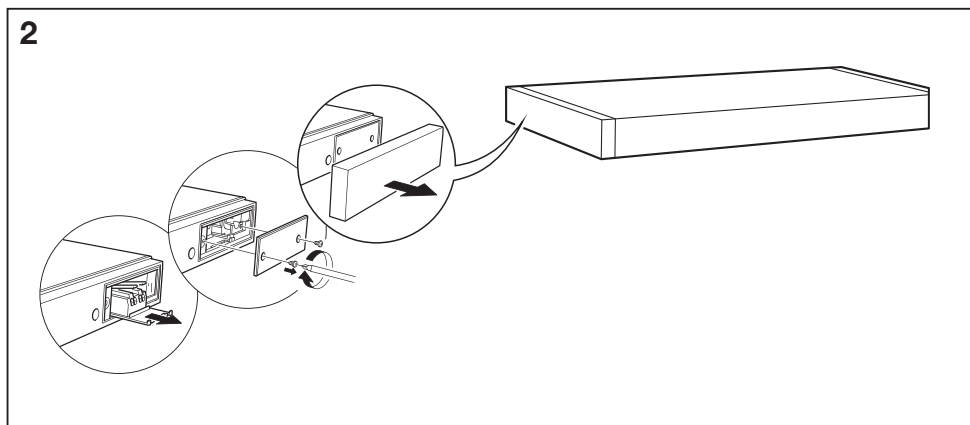
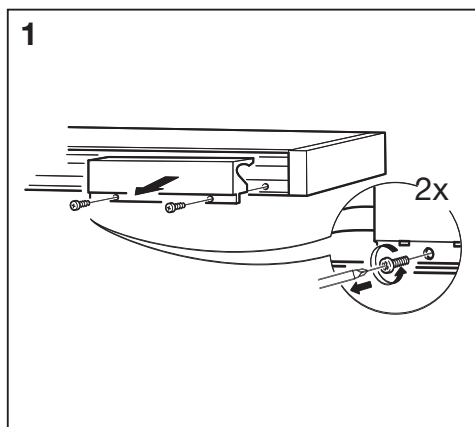
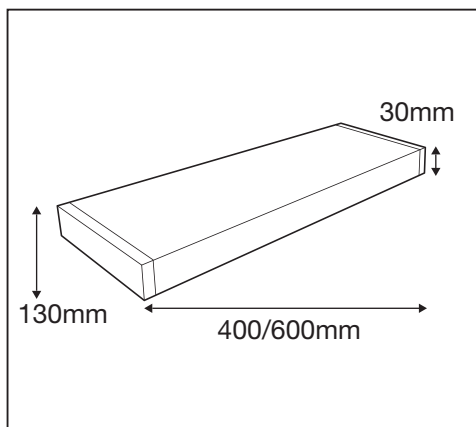
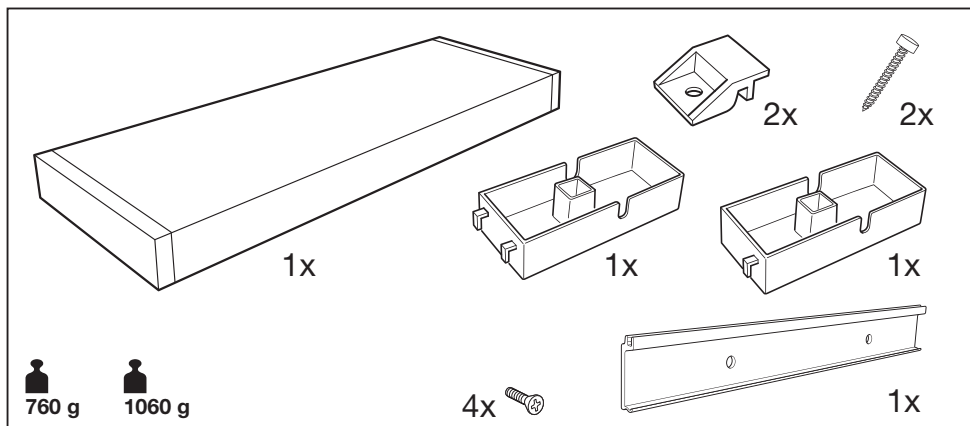
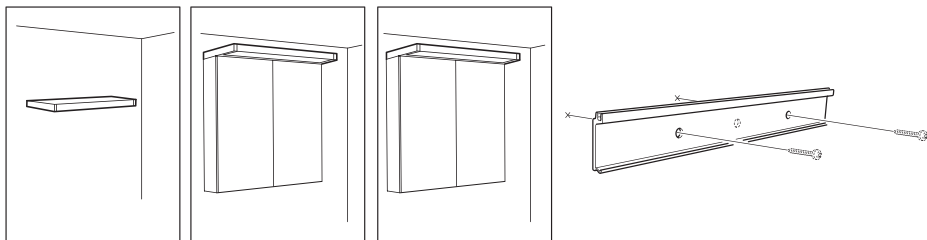

LINEAR SHELF



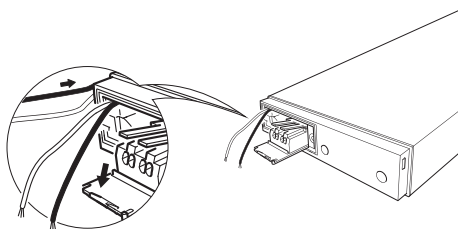
	EAN	W	lm	K	IP	°C	V _{ac}	mA	Hz	R _a	👤
LINEAR SHELF 400 6.5W 830 WT	4058075575738	6.5	550	3000	44	-20...+40	220-240	31	50/60	80	760g
LINEAR SHELF 600 12W 830 WT	4058075575752	12	1100	3000	44	-20...+40	220-240	58	50/60	80	1060g



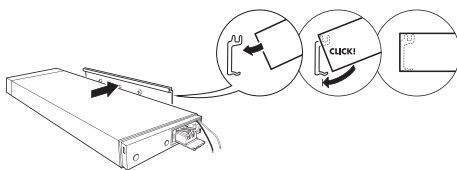
3



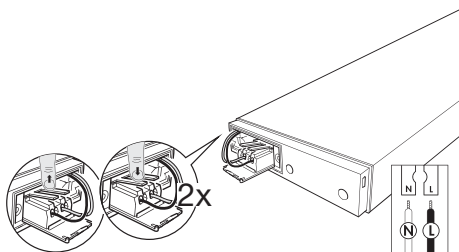
4



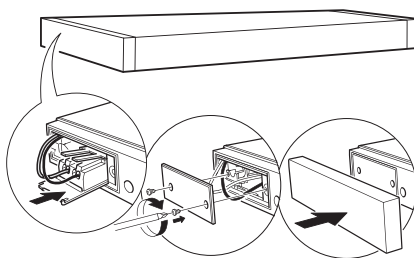
5

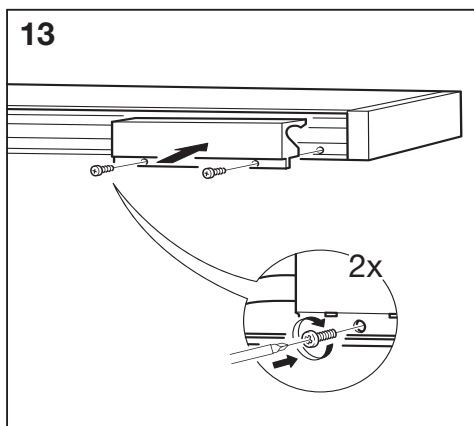
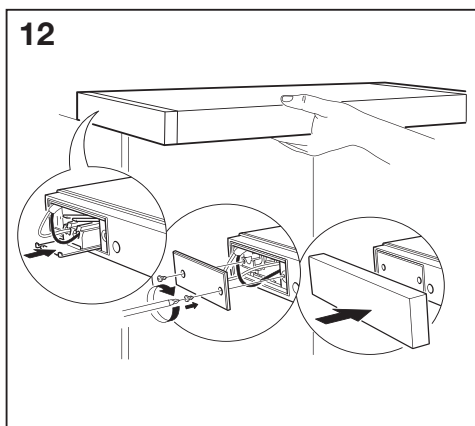
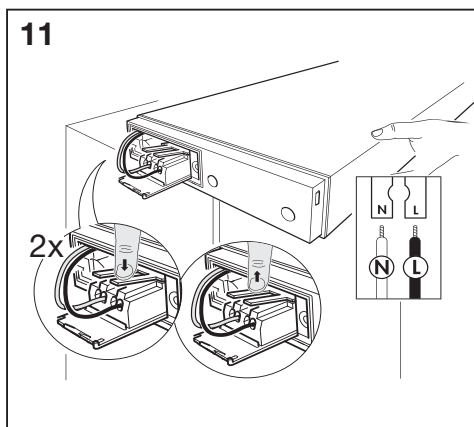
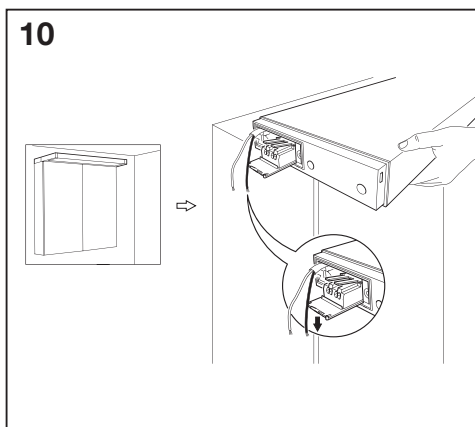
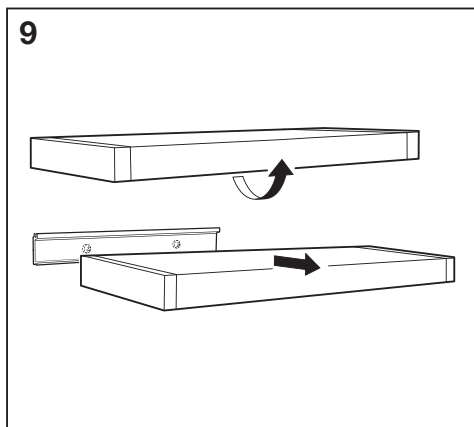
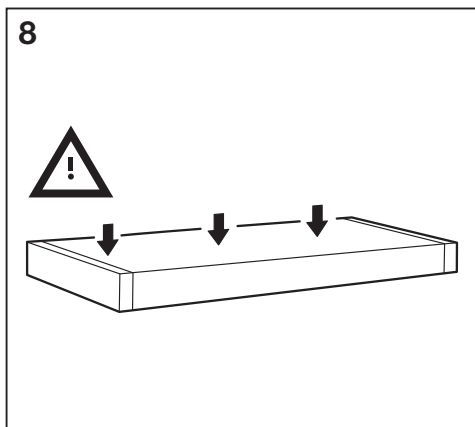


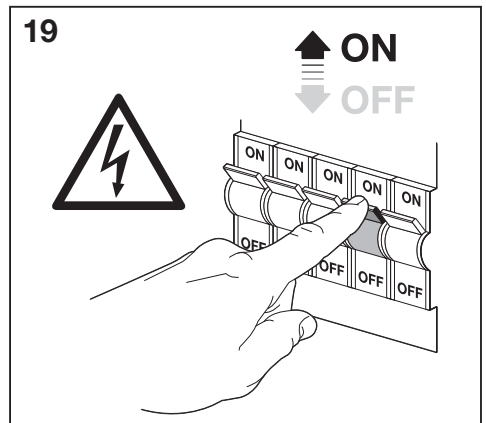
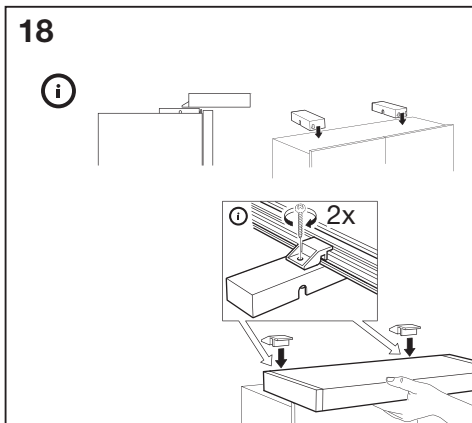
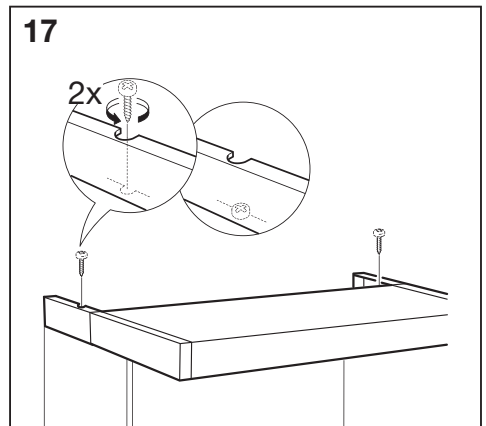
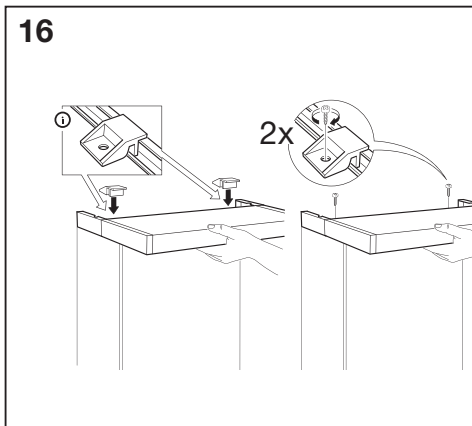
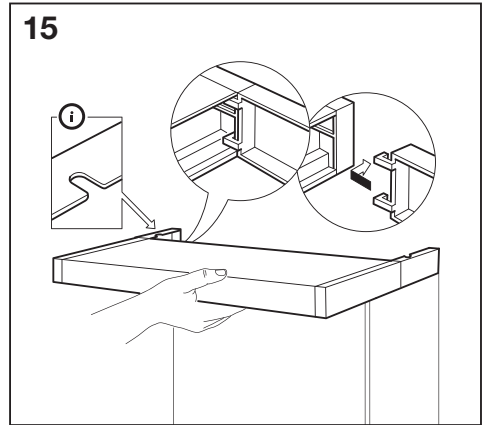
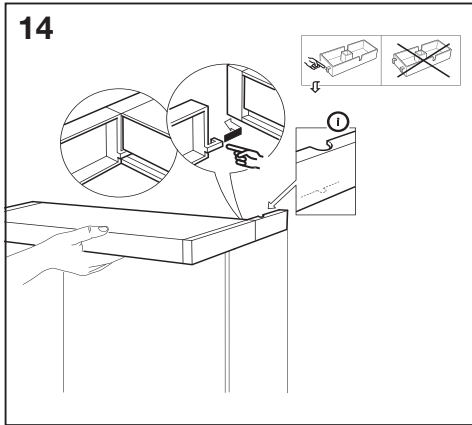
6





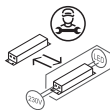
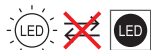
7







	EAN	This product contains a light source of energy efficiency class	Contained Light Source
LINEAR SHELF 400 6.5W 830 WT	4058075575738	E	
LINEAR SHELF 600 12W 830 WT	4058075575752	E	



C10567405
 G11117761
 15.07.2021



LEDVANCE GmbH
 Steinerne Furt 62
 86167 Augsburg, Germany
www.ledvance.com