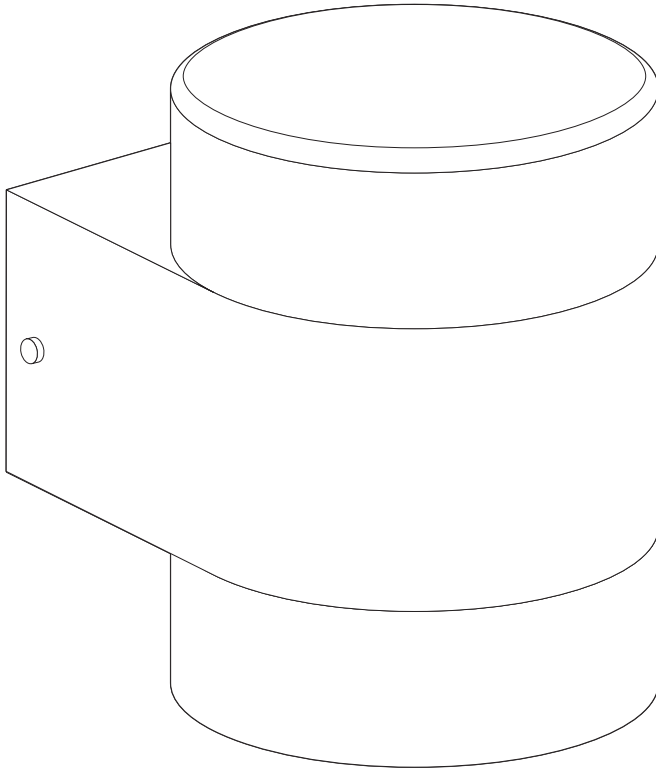
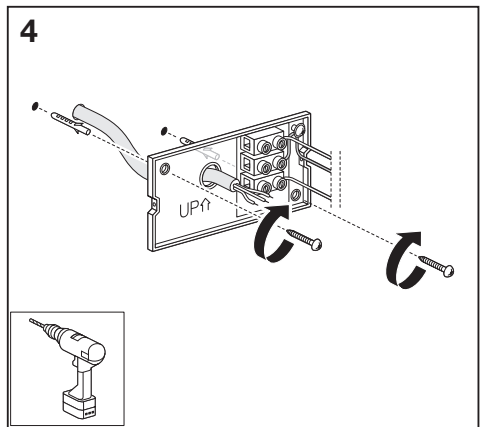
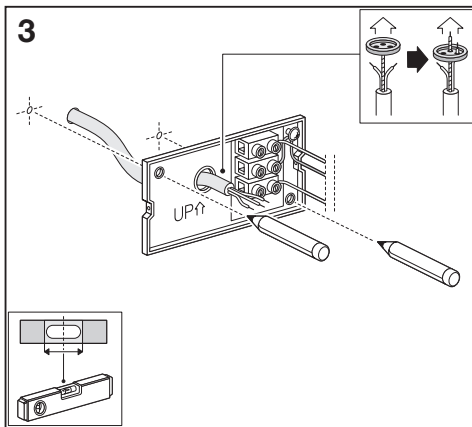
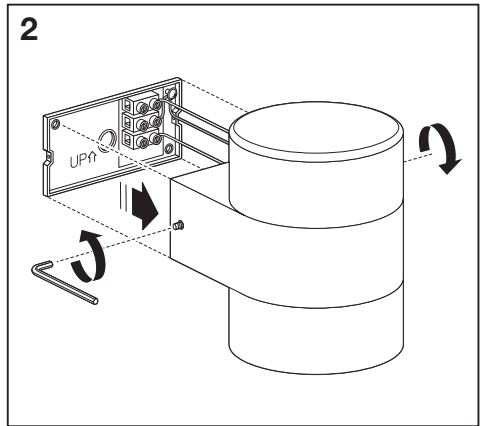
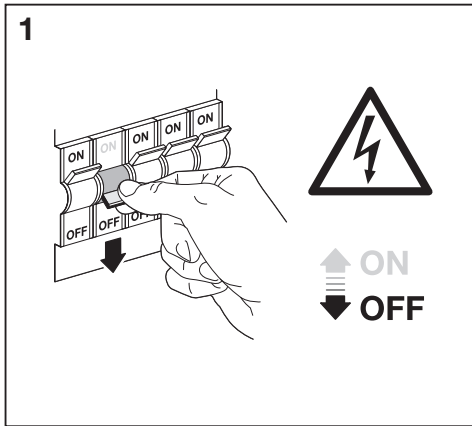
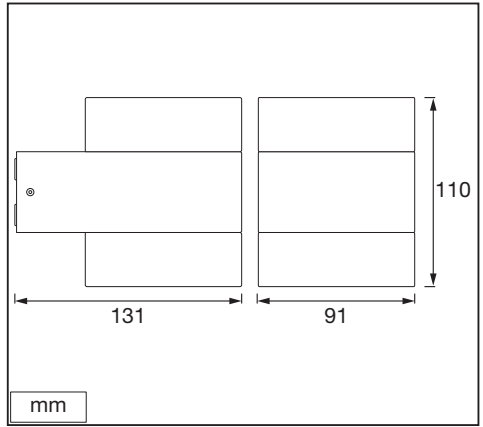
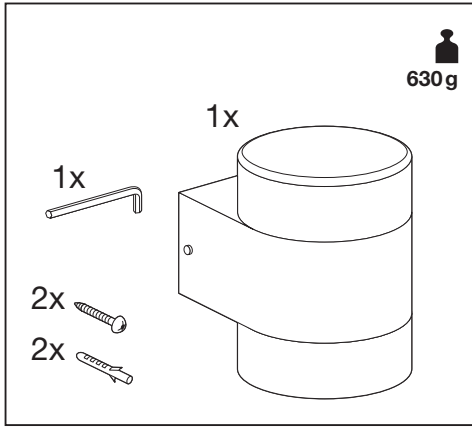
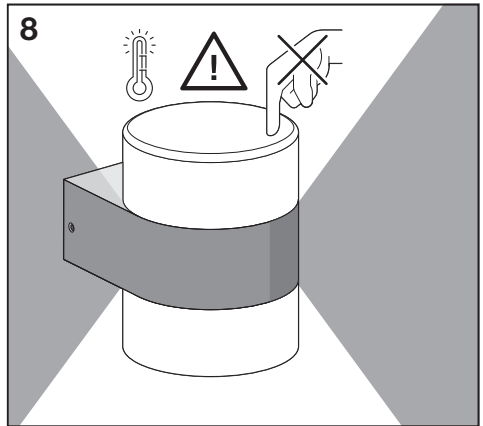
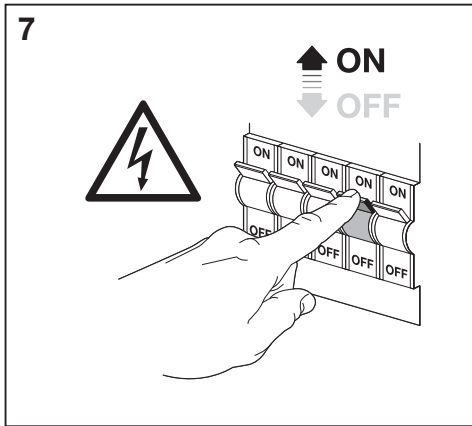
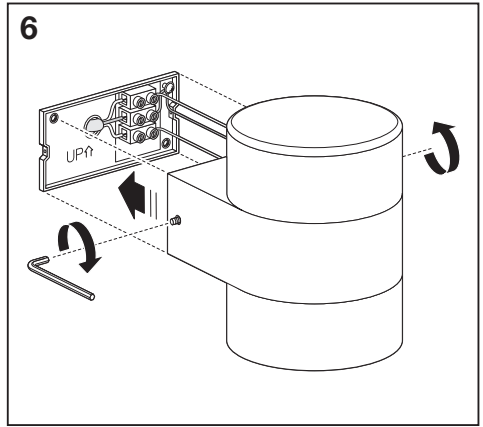
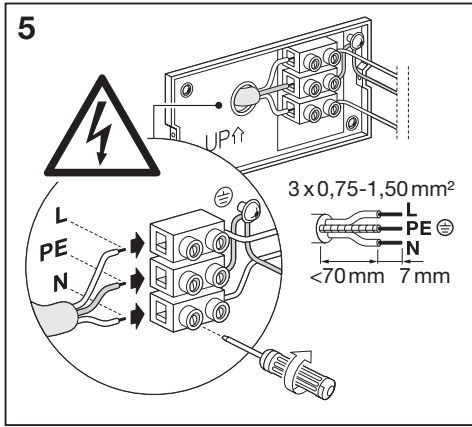



**ENDURA® STYLE
UPDOWN PUCK**



	EAN	W	lm	K	⊖ (°C)	V~	mA	Hz	PF
ENDURA® STYLE UPDOWN PUCK 13 W DG SLR	4058075205567	13	980	3000	-20...+40	220-240	85	50/60	>0.5
ENDURA® STYLE UPDOWN PUCK 13 W WT SLR	4058075205581	13	980	3000	-20...+40	220-240	85	50/60	>0.5





	EAN	This product contains a light source of energy efficiency class	Contained Light Source
ENDURA® STYLE UPDOWN PUCK 13 W DG SLR	4058075205567	E	
ENDURA® STYLE UPDOWN PUCK 13 W WT SLR	4058075205581	E	



C10449057
G11121830
25.05.2021



LEDVANCE GmbH
Steinerne Furt 62
86167 Augsburg, Germany
www.ledvance.com