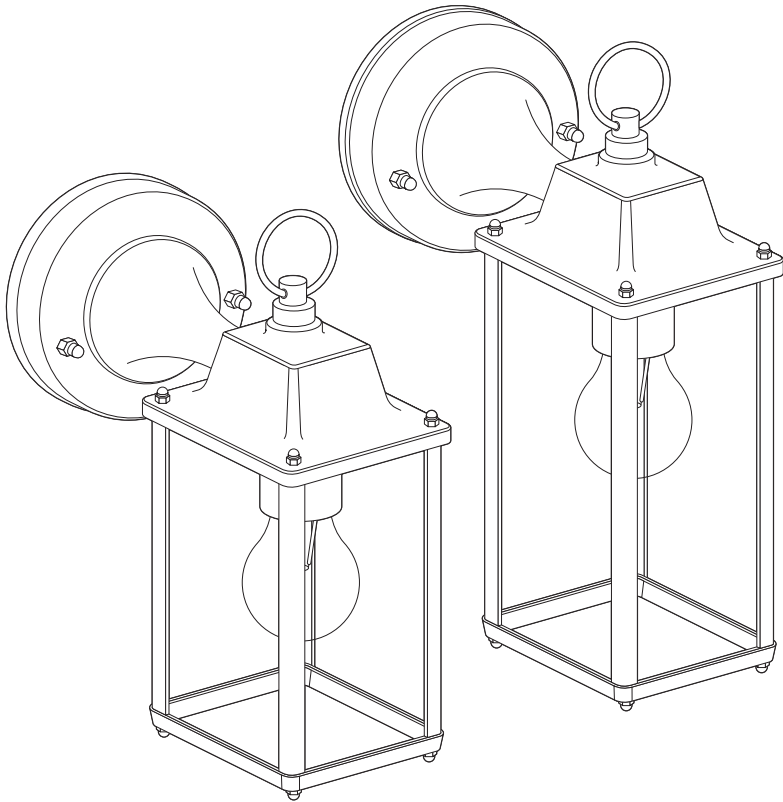
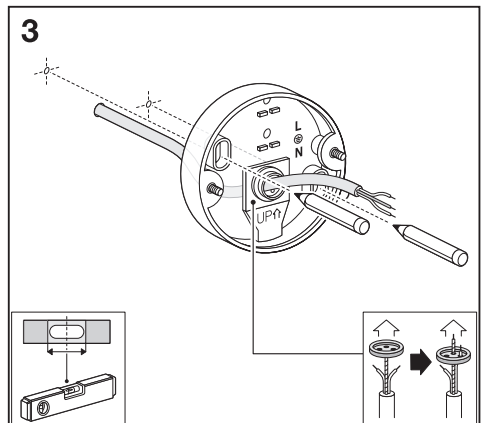
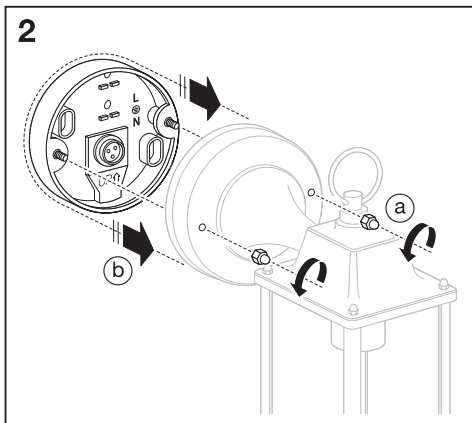
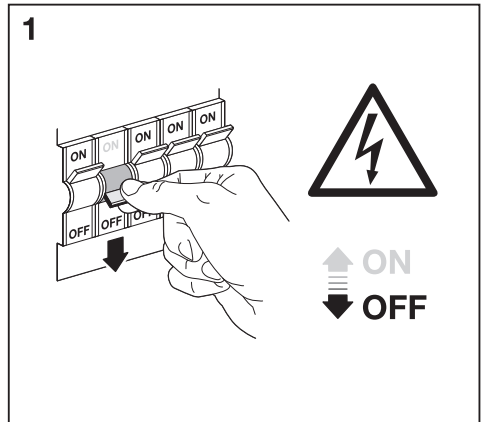
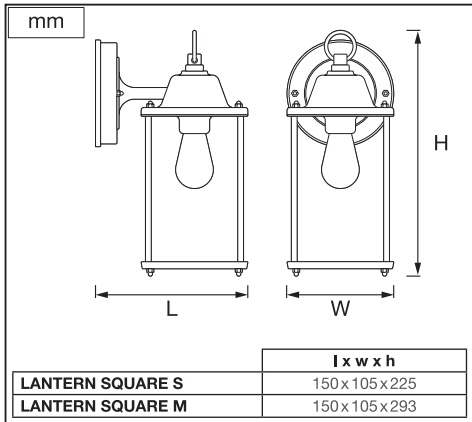
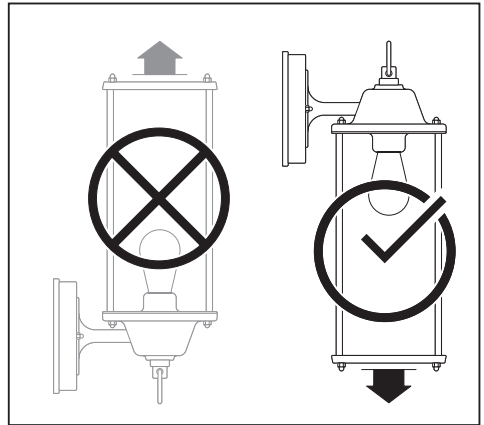
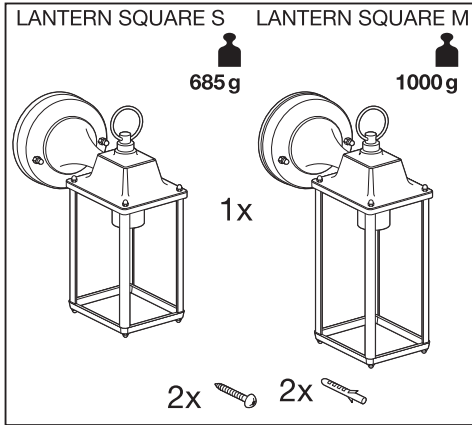
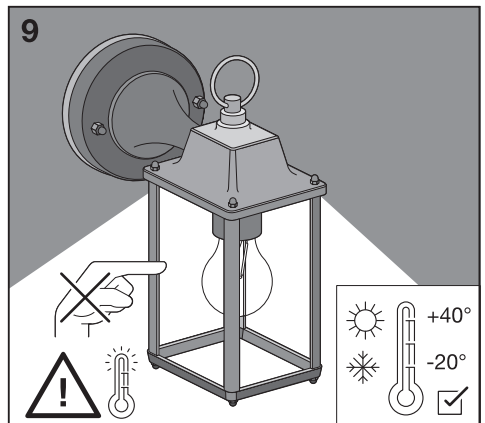
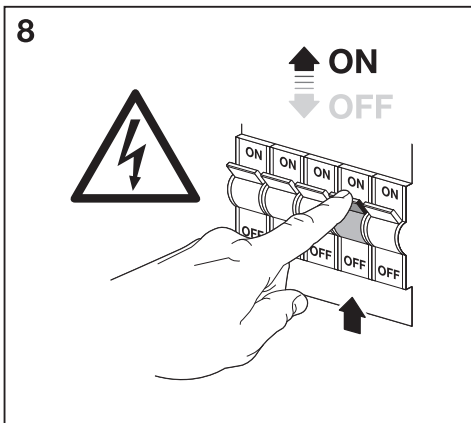
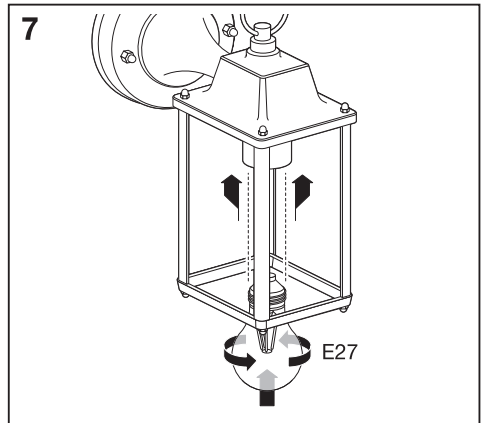
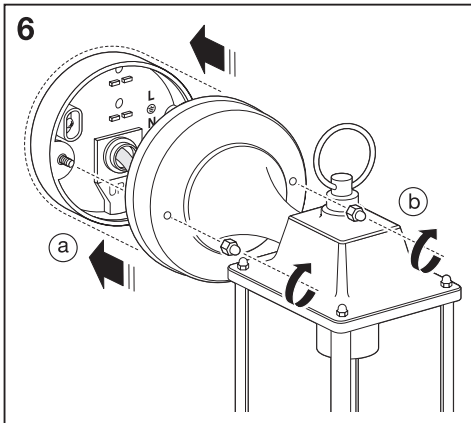
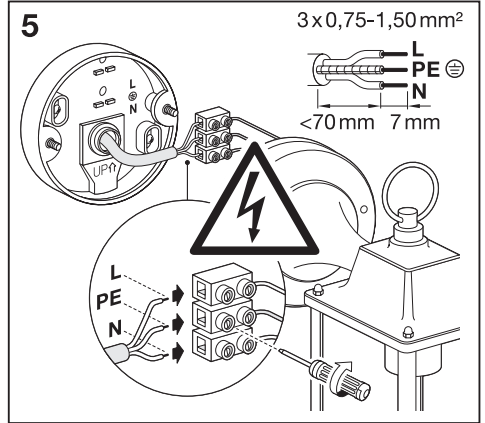
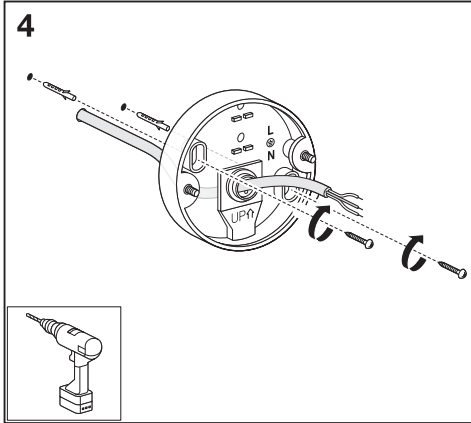

**ENDURA® CLASSIC
LANTERN SQUARE**



	EAN	W max.	Δ (°C)	V~	Hz
ENDURA CLASSIC LANTERN SQUARE S E27 BK	4058075206625	60W	-20...+40	220-240	50/60
ENDURA CLASSIC LANTERN SQUARE M E27 BK	4058075206649	60W	-20...+40	220-240	50/60

LANTERN SQUARE







C10449057
G11132592
22.11.2021



LEDVANCE GmbH
Steinerne Furt 62
86167 Augsburg, Germany
www.ledvance.com