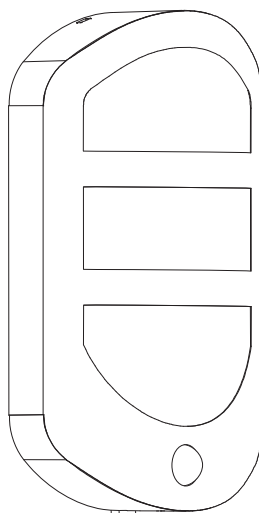
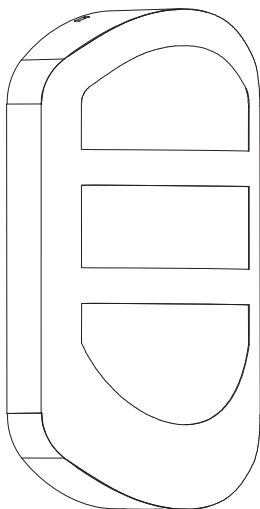
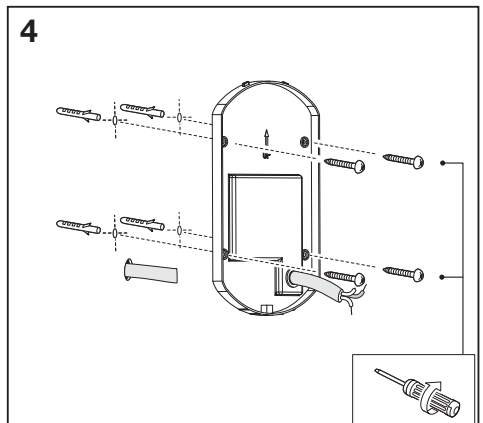
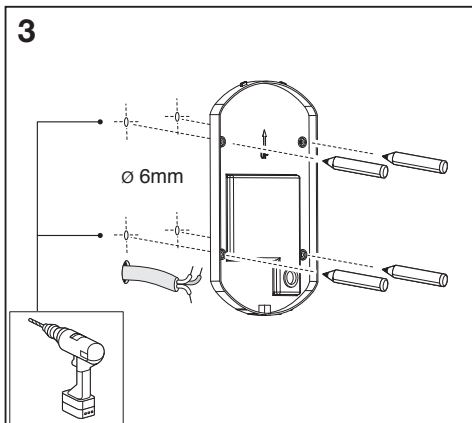
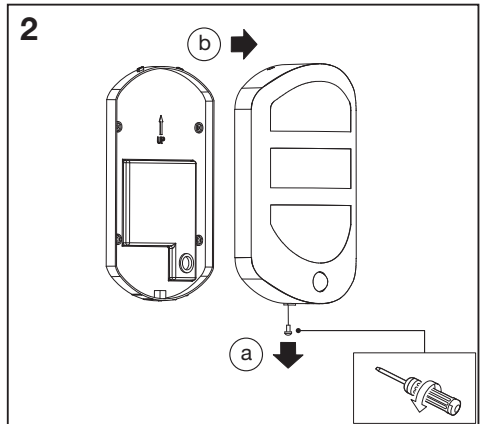
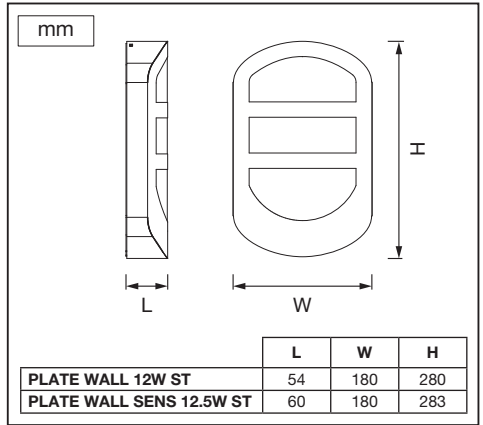
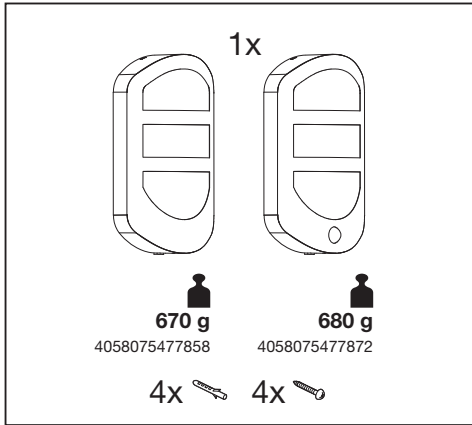
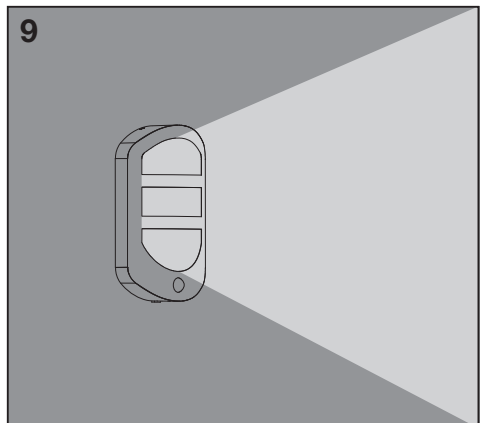
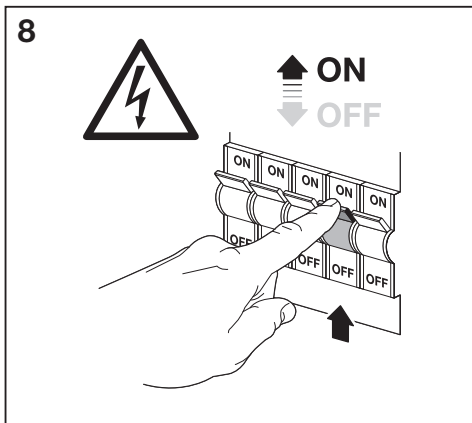
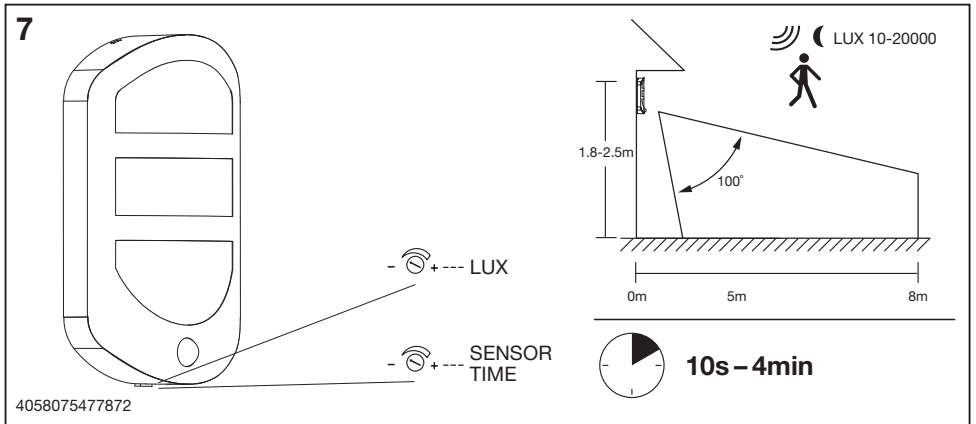
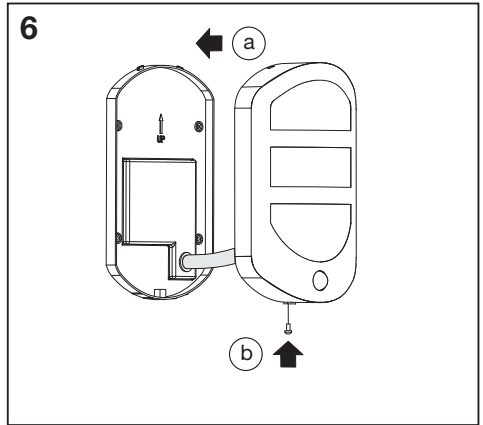
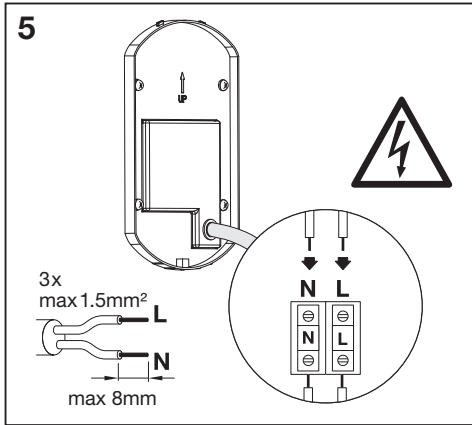



ENDURA® STYLE



	EAN	W	lm	K	°C	V~	mA	Hz	DF
ENDURA STYLE PLATE WALL 12W ST	4058075477858	12	650	3000	-20...+40	220-240	65	50/60	>0.7
ENDURA STYLE PLATE WALL SENS 12.5W ST	4058075477872	12.5	650	3000	-20...+40	220-240	65	50/60	>0.7





	EAN	This product contains a light source of energy efficiency class	Contained Light Source
ENDURA STYLE PLATE WALL 12W ST	4058075477858	E	
ENDURA STYLE PLATE WALL SENS 12.5W ST	4058075477872	E	



C10449057
G11124730
30.09.2021



LEDVANCE GmbH
Steinerne Furt 62
86167 Augsburg, Germany
www.ledvance.com