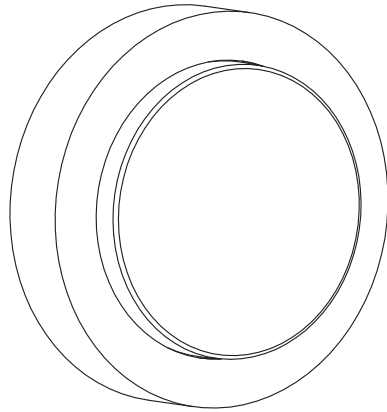
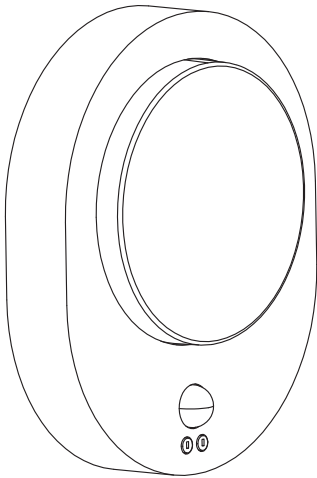


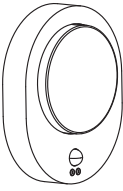


ENDURA® STYLE





	EAN	W	lm	K	🌡️ (°C)	V~	mA	Hz	PF
ENDURA STYLE DISC WALL ST	4058075564121	8	370	3000	-20...+40	220-240	35	50/60	>0.5
ENDURA STYLE DISC WALL SEN ST	4058075564145	8	370	3000	-20...+40	220-240	35	50/60	>0.5

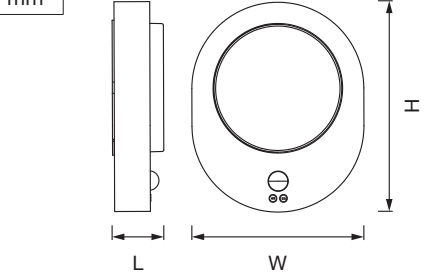

839 g
 4058075564145


665 g
 4058075564121


1x



2x

2x


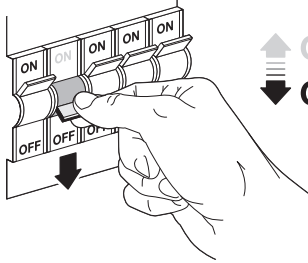
mm





	L	W	H
DISC WALL ST	60	200	200
DISC WALL SEN ST	60	200	244

1

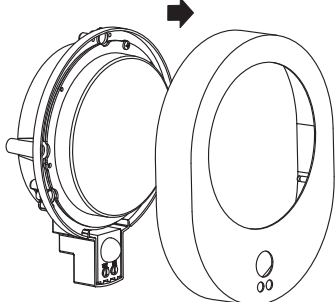




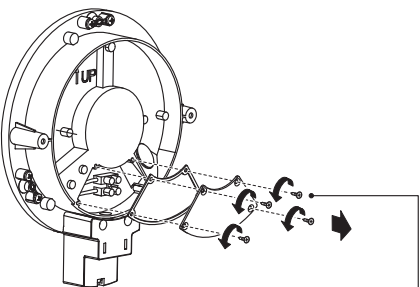

ON

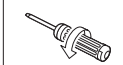

OFF

2

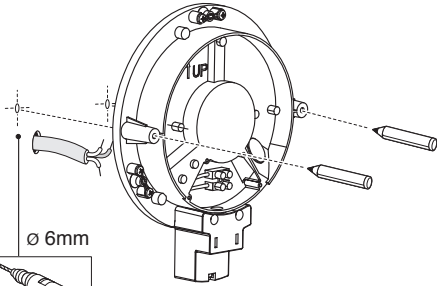


3

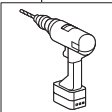


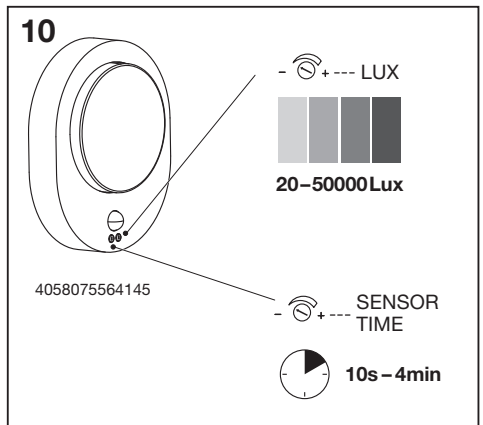
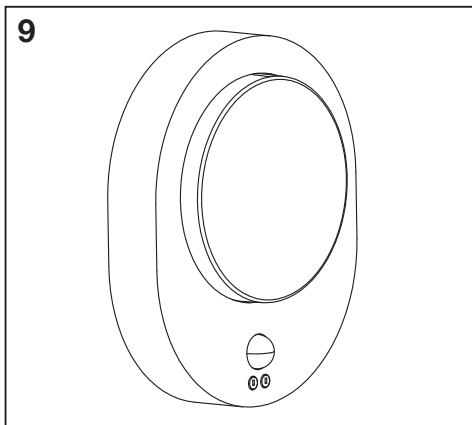
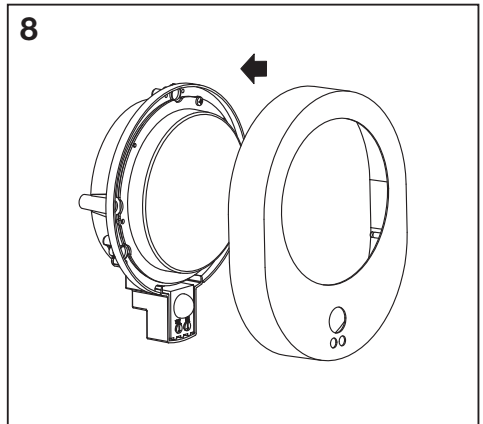
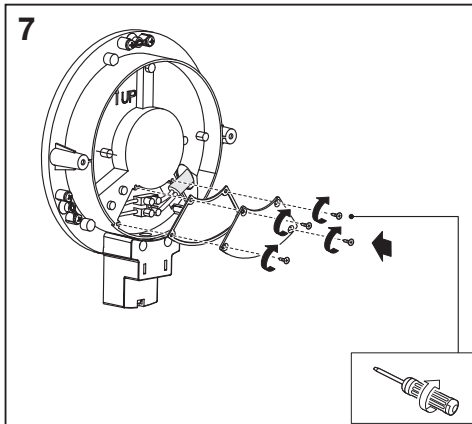
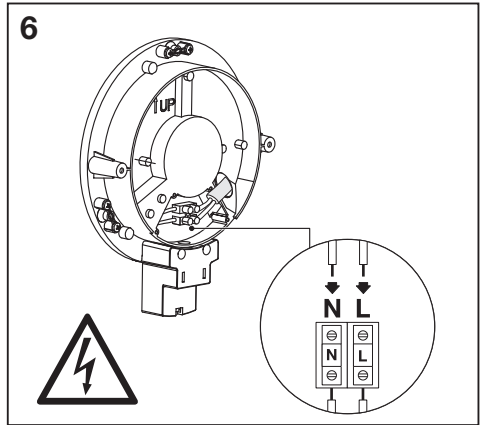
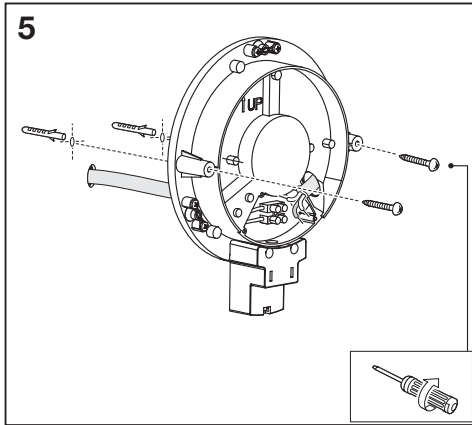


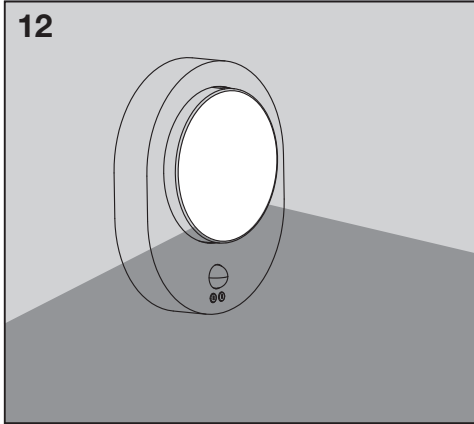
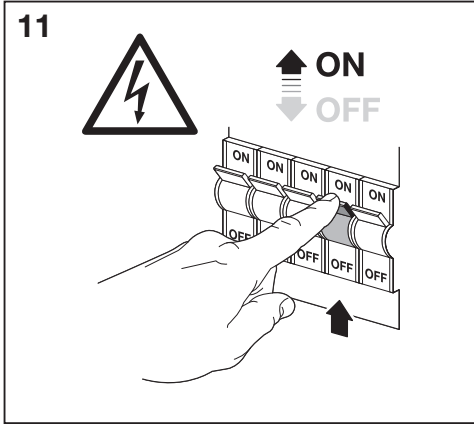
4



Ø 6mm







	EAN	This product contains a light source of energy efficiency class	Contained Light Source
ENDURA STYLE DISC WALL ST	4058075564121	F	
ENDURA STYLE DISC WALL SEN ST	4058075564145	F	



C10449057
G11111466
30.04.2021



LEDVANCE GmbH
Steinerne Furt 62
86167 Augsburg, Germany
www.ledvance.com