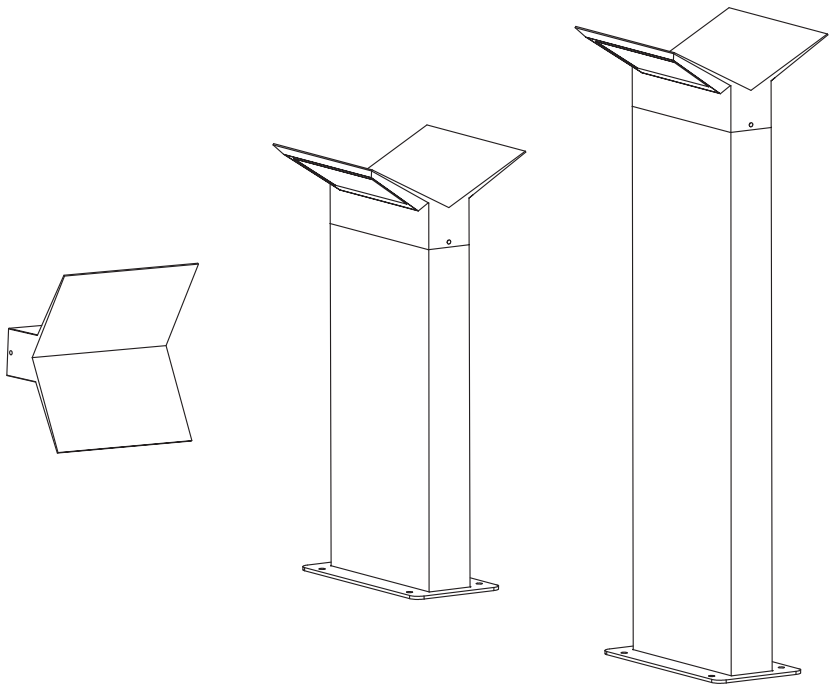



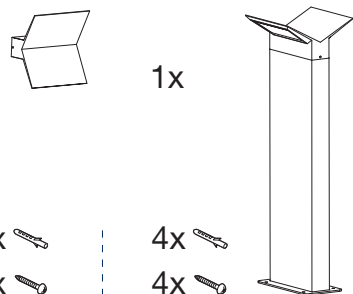





ENDURA® STYLE



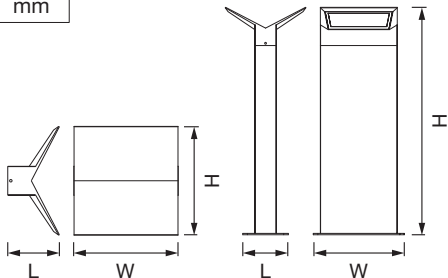
	EAN	W	lm	K	Θ_{amb} (°C)	V~	mA	Hz	PF
ENDURA STYLE BAT WALL DG	4058075564060	9.5	580	3000	-20...+40	220-240	42	50/60	>0.5
ENDURA STYLE BAT 50CM DG	4058075564084	9.5	580	3000	-20...+40	220-240	42	50/60	>0.5
ENDURA STYLE BAT 80CM DG	4058075564107	9.5	580	3000	-20...+40	220-240	42	50/60	>0.5

		
671 g	1679 g	2297 g
4058075564060	4058075564084	4058075564107




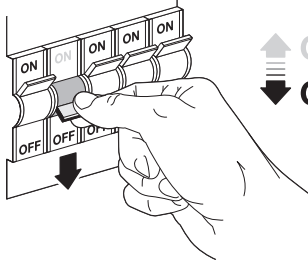
2x 	4x 
2x 	4x 

mm



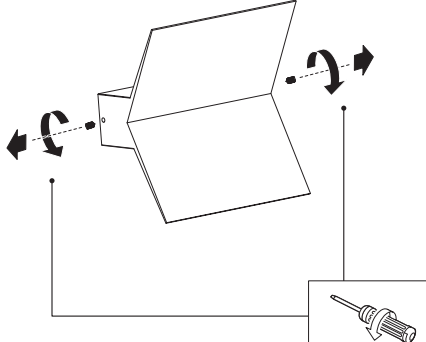
	L	W	H
BAT WALL	84	169	177
BAT 50CM	177	200	500
BAT 80CM	177	200	800

1

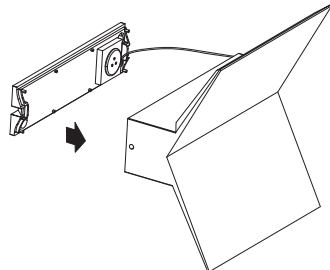



↑ ON
↓ OFF

2

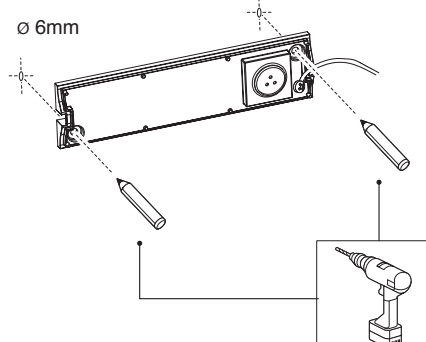


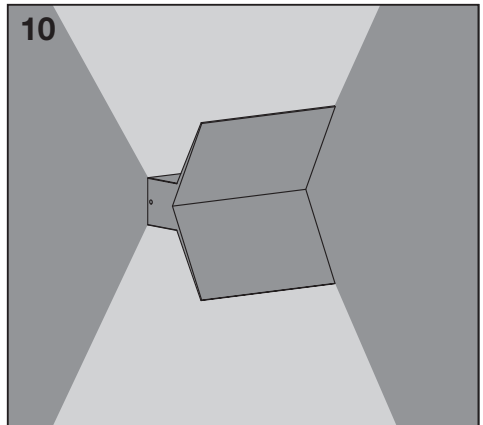
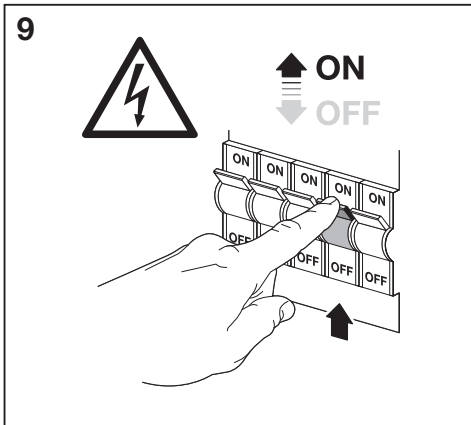
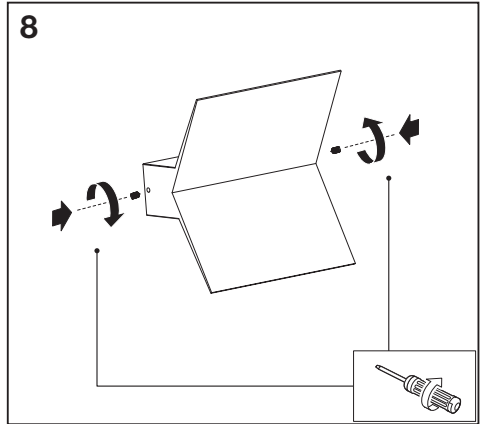
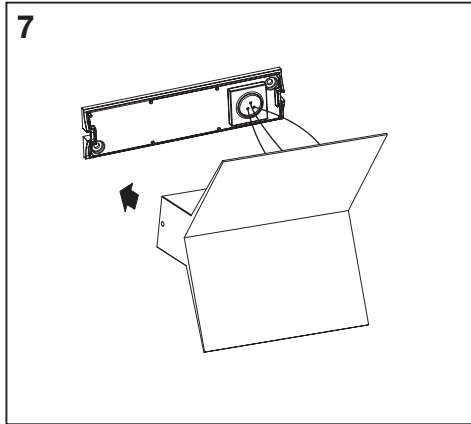
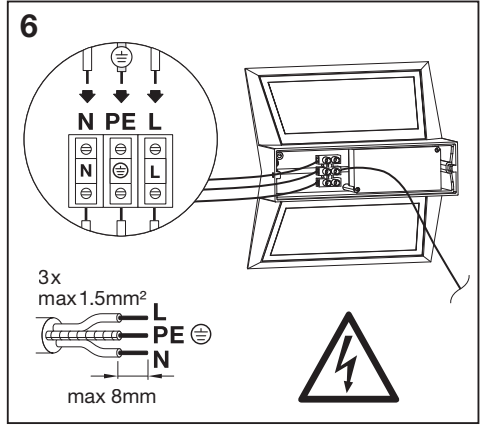
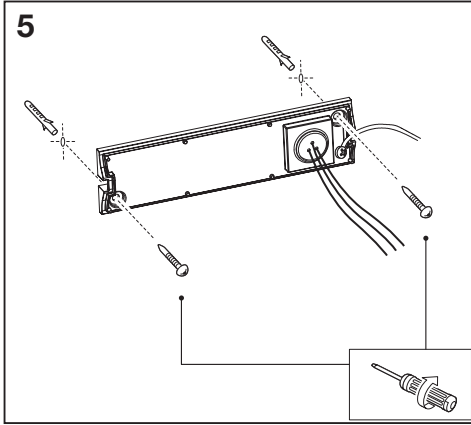
3






4

∅ 6mm





	EAN	This product contains a light source of energy efficiency class	Contained Light Source
ENDURA STYLE BAT WALL DG	4058075564060	E	
ENDURA STYLE BAT 50CM DG	4058075564084	E	
ENDURA STYLE BAT 80CM DG	4058075564107	E	



C10449057
G11111463
30.04.2021



LEDVANCE GmbH
Steinerne Furt 62
86167 Augsburg, Germany
www.ledvance.com