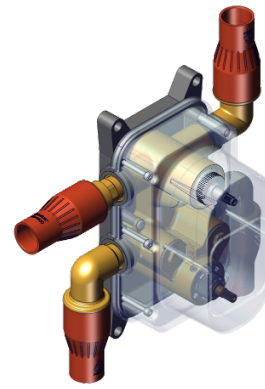
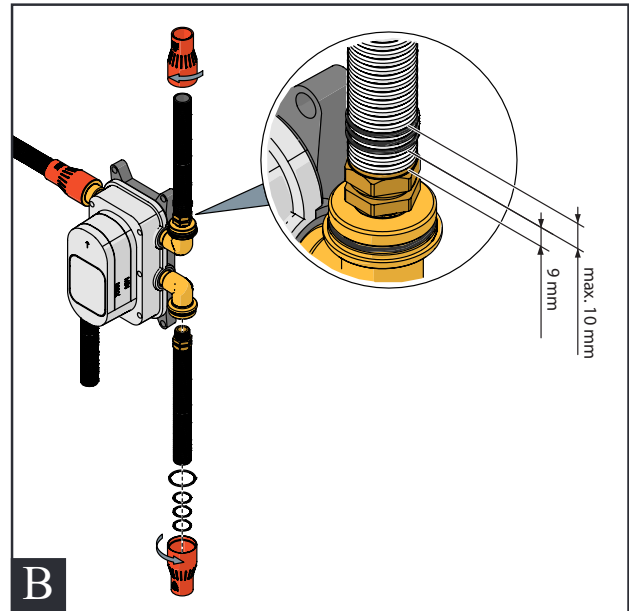
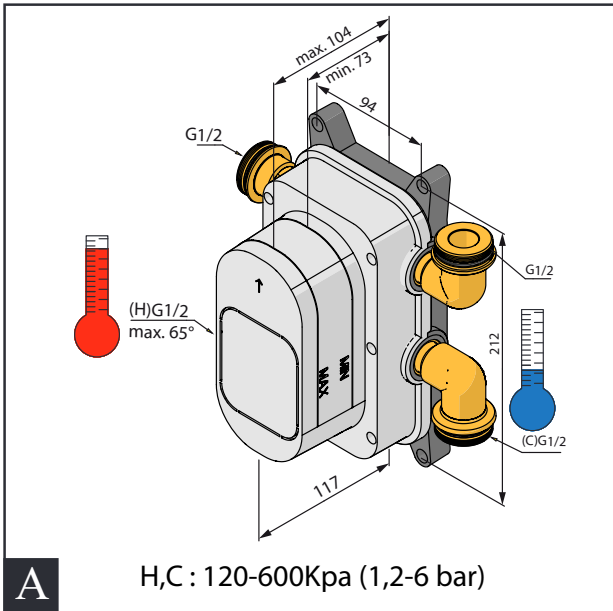


**INSTALLATIONSVEJLEDNING
MONTAGEANWEISUNG
INSTALLATION INSTRUCTION
INSTRUCTIONS D'INSTALLATION
INSTALLATIE INSTRUCTIES
ISTRUZIONI DI INSTALLAZIONE
INSTRUCCIONES DE INSTALACIÓN**

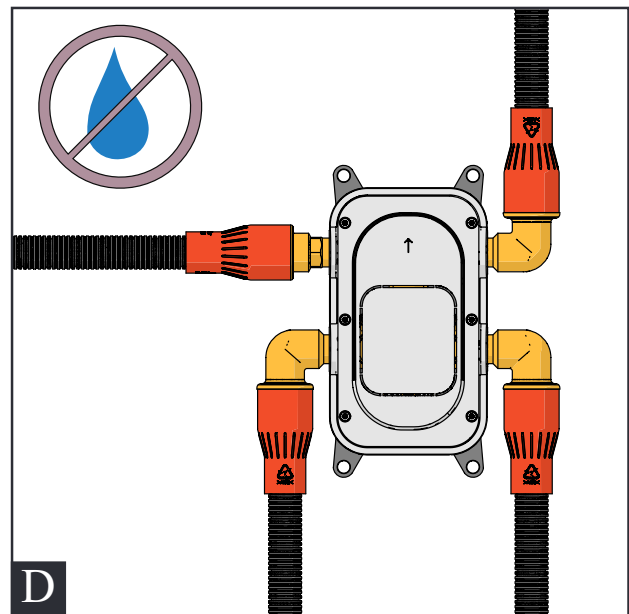
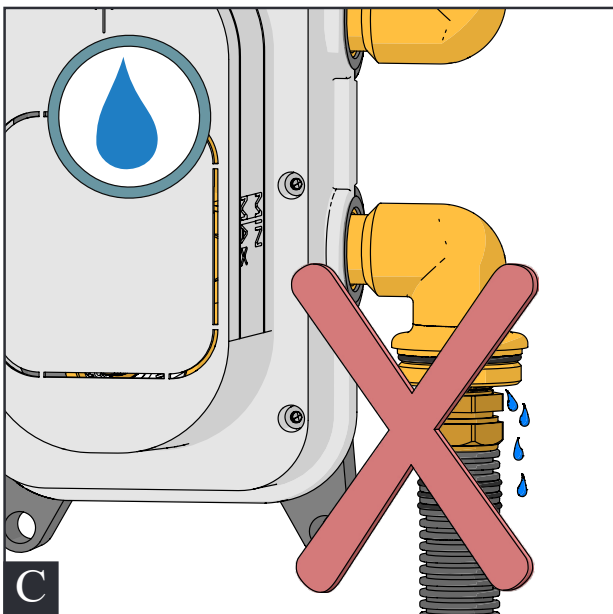


Rev. 001
2022-10-11
2030600

CONCEALED
Thermostatic Mixer



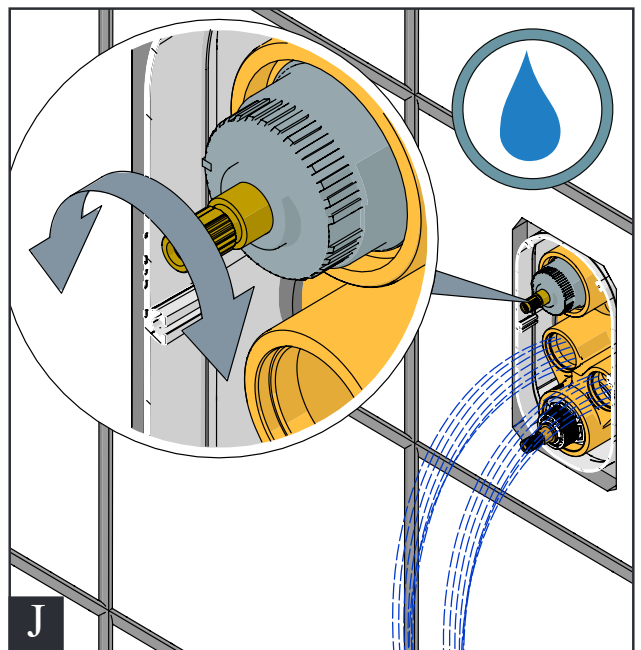
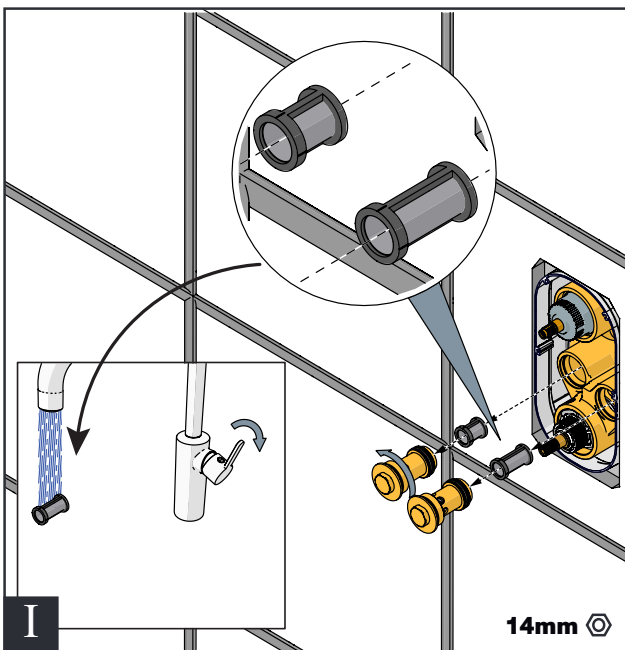
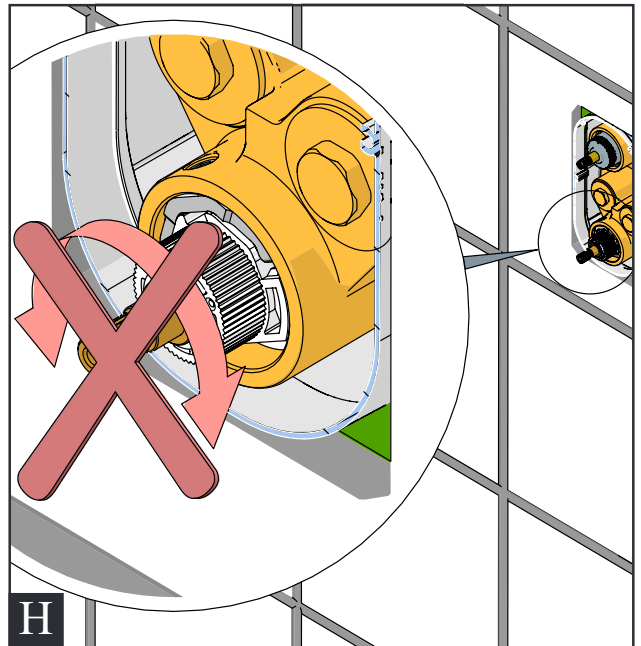
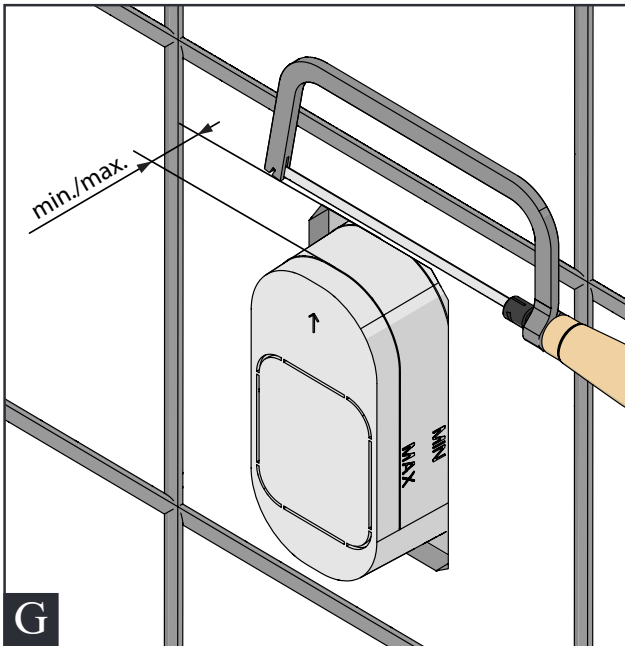
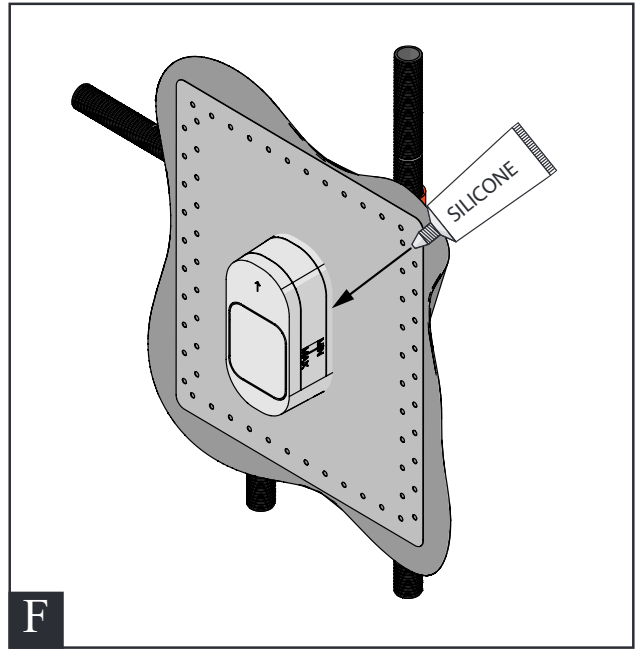
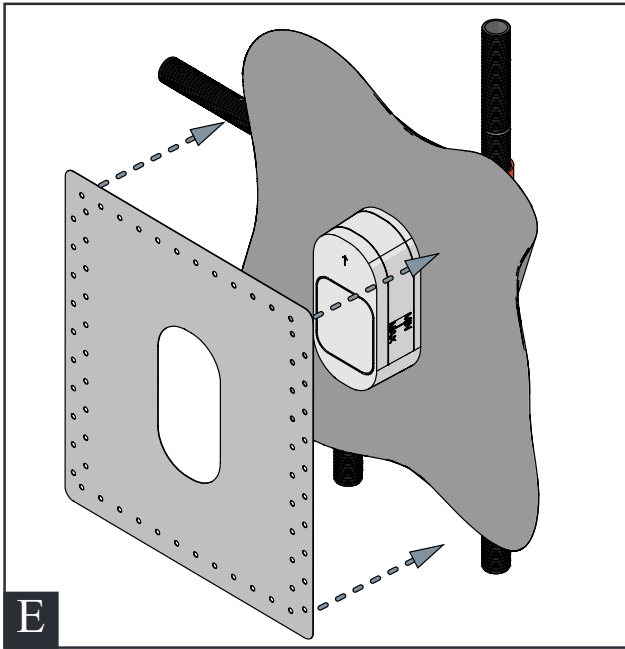
INSTALLATION



FM Mattsson Denmark ApS
Hvidkærvej 48, 5250 Odense SV
Abildager 26a, 2605 Brøndby
Tlf. +45 88 33 00 34
damixa-international@fmmattssongroup.com
www.damixa.com

damixa

INSTALLATION



INSTALLATION

