

## ARDEN GU10 DOWNLIGHTER INSTRUCTIONS

Issue 04 15th September 2021

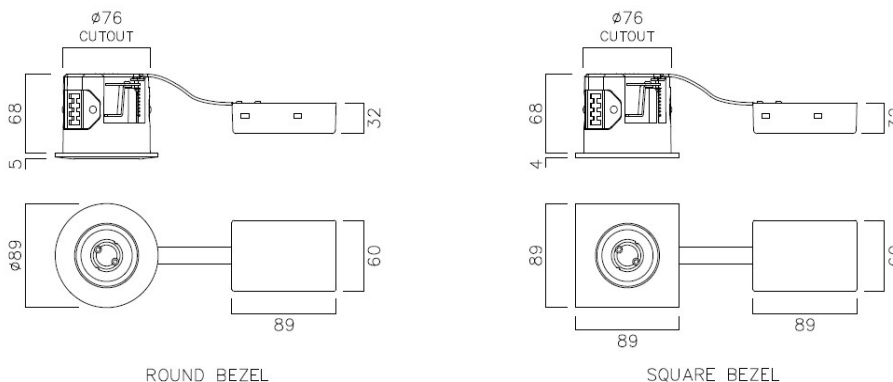
**THANK YOU** for buying this product. To help ensure it gives complete satisfaction please install it according to these instructions and then pass the instructions to the appropriate person for retention and future reference.

**SAFETY** This is a mains powered product. It is designed to be installed by suitably qualified personnel only and in accordance with the applicable building and electrical regulations. Before installation or maintenance, the electrical supply to the product must be isolated.



**INSTALLATION SUPPORT** If installation advice or accessories are required, please contact us at the above address. We will do our best to help. When reporting a suspected fault, or seeking installation support the problem is likely to be resolved most quickly if you have full product details to-hand, as well as details of when and where it was purchased.

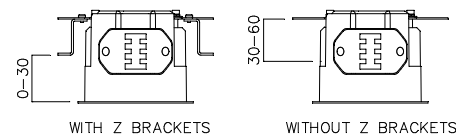
### DIMENSIONS



### INSTALLATION

1. Decide mounting position in ceiling & cut the hole. Care should be taken when cutting the hole to avoid structures & to not exceed the specified cutting diameter so as not to expose the cut edge.
2. Provide mains cable(s) down through the mounting hole & route to the luminaire.
3. Unclip the terminal cover to expose the terminal block. Terminate the mains supply ensuring correct polarity is observed.
4. Ratchet down the cable clamps to restrain the mains supply cable(s). Note: The clamps should be located on the outer insulation. Then refit the terminal cover by snapping into place.
5. Remove the front bezel by pulling it away from the main body can by. This will expose the lampholder & swing out suspension arms securing screws.
6. Select the correct format of suspension arm to suit the ceiling thickness:

- For 0-30mm thickness leave the Z brackets in position
- For 30-60mm thickness, remove the Z bracket part by undoing the small pozi drive screw on both arms.



7. Insert the connection box up through the hole into the ceiling void.
8. Insert the main body can up through the hole, then secure by:
  - i. Locating the screw head of one of the two swing out suspension arms.
  - ii. Insert a Torx 10 driver & rotate clockwise to get the arm to swing out from the side of the body.
  - iii. Keep rotating the screw head to lower it & clamp to the top of the ceiling surface. Care should be taken not to over tighten & cause damage to the ceiling material.
  - iv. Repeat for second suspension arm.
9. Insert your chosen GU10 LED lamp by:
  - i. Inserting the pins of the GU10 LED lamp into the flying lampholder & rotate clockwise to secure.
  - ii. Clip the front of the lamp into the front bezel using the spring clip provided.
10. Carefully relocate front bezel & push to back into to main body can to secure. Make sure the spring clips on the front bezel align with the moulded teeth inside the body.
11. Tilt the lamp head to required direction.
12. With the down lighter installed, reconnect power supply & check for correct operation. Note that insulation resistance tests may cause irreparable damage to the lamp.

### ALTERNATIVE FIXING SPRINGS

The body can also be secured using torsion springs, instead of the swing out suspension arms. These are supplied in a small poly bag inside the carton. These are fitted to the metal plates on the side wall of the main body can.

1. Select the correct mounting height position that will suit the ceiling thickness. 3 positions available.
2. Push the side of the coiled spring with the small leg on to the chosen notch position, locating the small leg behind the notch below. Then push to compress the coiled part of the spring to allow the opposing side to locate on to the notch.
3. Repeat for opposite side.
4. Locate into ceiling by pushing up & holding both springs upwards, locate through the mounting hole, then release to allow the can to be pulled up to the mounting surface.

### NOTES

1. If mounting the luminaire externally then the External version should be used. This will have /EXT in the product code.
2. The IP44 rating is to the rear of the product. The front is IP21 rated.