



CorePro LEDspot LV



CorePro LED spot ND 4.4-35W MR16 827 36D

CorePro LEDspots are a perfect fit for spot lighting and deliver warm halogen-like light. They are compatible with most existing fixtures with MR16 GU5.3 holders and are designed as a retrofit replacement for halogen or incandescent spots. CorePro LEDspots deliver huge energy savings and minimize maintenance cost.

Product data

General information	
Cap-Base	GU5.3 [GU5.3]
CE mark	Yes
EU RoHS compliant	Yes
Nominal Lifetime (Nom)	15000 h
Switching Cycle	50000
Flux measurement reference	Narrow Cone
Tier	MASTER
Light technical	
Color Code	827 [CCT of 2700K]
Beam Angle (Nom)	36 °
Luminous Flux (Nom)	345 lm
Luminous Intensity (Nom)	650 cd
Color Designation	Warm White (WW)
Correlated Color Temperature (Nom)	2700 K
Luminous Efficacy (rated) (Nom)	78 lm/W
Color Consistency	<6
Color Rendering Index (Nom)	80
LLMF At End Of Nominal Lifetime (Nom)	70 %
Luminous Flux in 90° Cone (Rated)	345 lm

Operating and electrical	
Input Frequency	- Hz
Power (Nom)	4.4 W
Lamp Current (Nom)	520 mA
Wattage Equivalent	35 W
Starting Time (Nom)	0.5 s
Warm Up Time to 60% Light (Nom)	0.5 s
Power Factor (Nom)	0.6
Voltage (Nom)	ac electronic 12 V

Temperature	
T-Case Maximum (Nom)	85 °C

Controls and dimming	
Dimmable	No

Mechanical and housing	
Bulb Shape	MR16 [2inch/50mm]

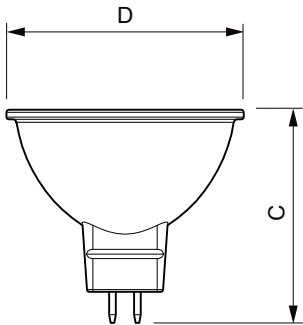
Approval and application	
Energy Efficiency Class	F
Suitable For Accent Lighting	Yes
Energy Consumption kWh/1000 h	5 kWh

CorePro LEDspot LV

EPREL Registration Number	421457
Product data	
Full product code	871951430706300
Order product name	CorePro LED spot ND 4.4-35W MR16 827 36D
EAN/UPC - Product	8719514307063
Order code	929002494602

Numerator - Quantity Per Pack	1
Numerator - Packs per outer box	10
Material Nr. (12NC)	929002494602
Net Weight (Piece)	0.045 kg

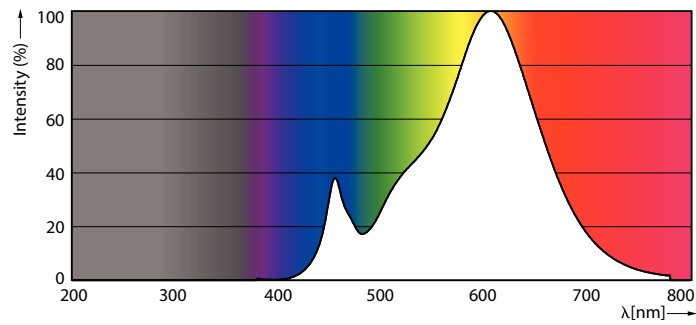
Dimensional drawing



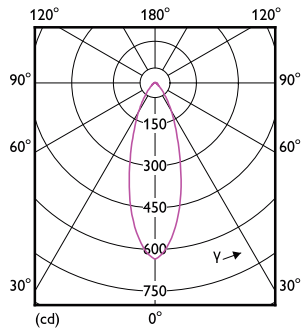
CorePro LED spot ND 4.4-35W MR16 827 36D

Product	D	C
CorePro LED spot ND 4.4-35W MR16 827 36D	50.5 mm	45.5 mm

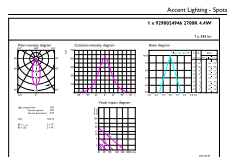
Photometric data



LEDspots Corepro SLR 2 4,4W MR16 GU5,3 827 36D-POC



LEDspots Corepro SLR 2 4,4W MR16 GU5,3 827 36D-LDD



Page 11

LEDspots Corepro SLR 2 4,4W MR16 GU5,3 827 36D-ADL

CorePro LEDspot LV

Lifetime



Life Expectancy Diagram

Lumen Maintenance Diagram

