



MASTER LEDspot ExpertColor LV



MASTER LED ExpertColor 6.7-35W MR16 940 36D

MASTER LEDspot LV ExpertColor creates a warm and comfortable ambience for hospitality venues, homes and restaurants. It creates such an ambience with superior lighting that has a customized spectrum, high CRI, and deep dimming feature. The result? A beautiful lighting experience. What's more, the innovative, trimless lens design will suit almost any interior decor with its clean and neat look. In addition, you can take advantage of the full ExpertColor family, which also includes LEDspot MV and LEDspot Par lamps.

Product data

General information		Color Rendering Index (Nom)		97
Cap-Base	GU5.3 [GU5.3]	LLMF At End Of Nominal Lifetime (Nom)	70 %	
CE mark	Yes	Luminous Flux in 90° Cone (Rated)	460 lm	
EU RoHS compliant	Yes	Operating and electrical		
Nominal Lifetime (Nom)	40000 h	Input Frequency	- Hz	
Switching Cycle	50000	Power (Nom)	6.7 W	
Flux measurement reference	Narrow Cone	Lamp Current (Nom)	650 mA	
Tier	MASTER	Wattage Equivalent	35 W	
Light technical		Starting Time (Nom)	0.5 s	
Color Code	940 [CCT of 4000K]	Warm Up Time to 60% Light (Nom)	0.5 s	
Beam Angle (Nom)	36 °	Power Factor (Nom)	0.7	
Luminous Flux (Nom)	460 lm	Voltage (Nom)	ac electronic 12 V	
Luminous Intensity (Nom)	1400 cd	Temperature		
Color Designation	Cool White (CW)	T-Case Maximum (Nom)	92 °C	
Correlated Color Temperature (Nom)	4000 K			
Luminous Efficacy (rated) (Nom)	68.00 lm/W			
Color Consistency	<3			

MASTER LEDspot ExpertColor LV

Controls and dimming

Dimmable Only with specific dimmers

Mechanical and housing

Bulb Shape MR16 [2inch/50mm]

Approval and application

Energy Efficiency Class G

Suitable For Accent Lighting Yes

Energy Consumption kWh/1000 h 7 kWh

EPREL Registration Number 624215

Product data

Full product code 871951435863800

Order product name MASTER LED ExpertColor 6.7-35W MR16 940 36D

EAN/UPC - Product 8719514358638

Order code 929003079602

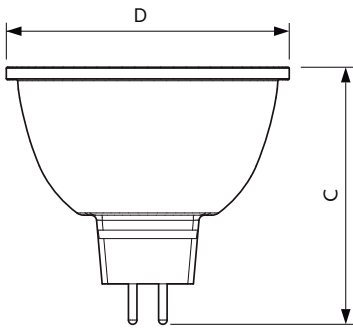
Numerator - Quantity Per Pack 1

Numerator - Packs per outer box 10

Material Nr. (12NC) 929003079602

Net Weight (Piece) 0.052 kg

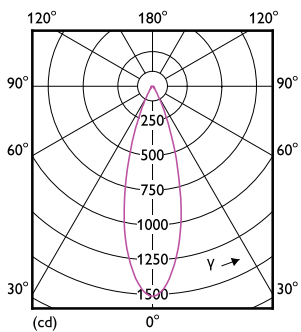
Dimensional drawing



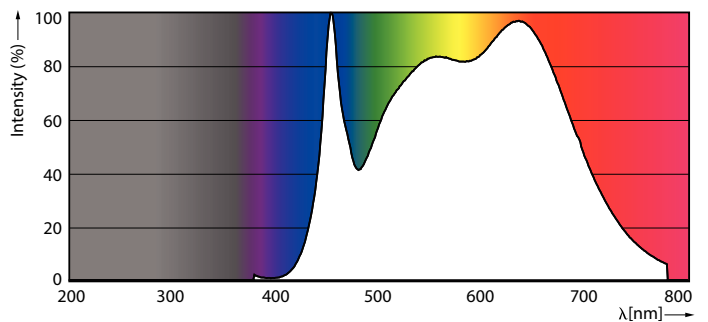
MASTER LED ExpertColor 6.7-35W MR16 940 36D

Product	D	C
MASTER LED ExpertColor 6.7-35W MR16 940 36D	50.5 mm	46 mm

Photometric data



LEDspots MAS IC 6,7W MR16 GU5,3 940 36D-LDD



LEDspots MAS IC 6,7W MR16 GU5,3 940 60D-POC

