



New

**Electrical performance:**  
CEI EN 50393 as applicable  
(testing under water head  
of the accessory installed in a box)

**Gel:** UL 94-HB

Operating temperature

Installation temperature:   
-40°C / +50°C

Fully submersible

Can be used underground

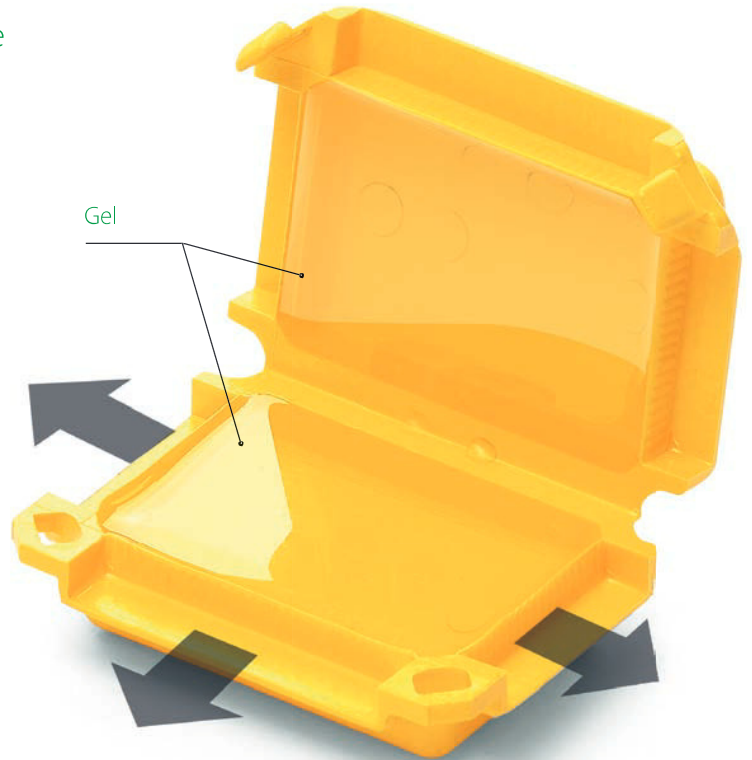
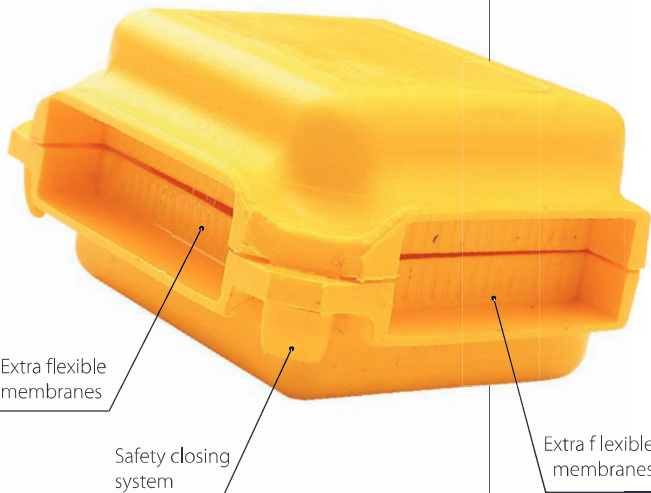
**IPX8**  
OFFICIALLY  
TESTED **IMQ**

# Happy

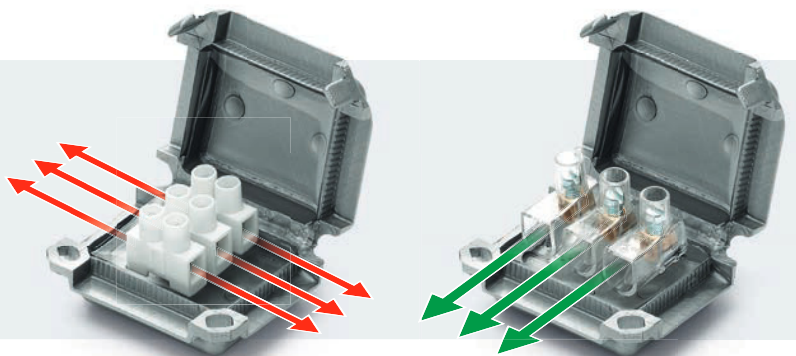
The revolutionary mini accessories with 3 entrances, pre-filled with gel and suitable for submersible installations (IPX8).

Designed in 3 dimensions to rapidly insulate and seal the most commonly used connectors. The 3 entrances not only guarantee the extreme flexibility in the range of these products but also by the housing accepting a wide variety of connectors.

- Extremely versatile - Ready to use - Re-enterable
- For rigid or flexible insulated wires up to 4 mm<sup>2</sup>
- Pre-filled with gel, non toxic and no shelf life
- Small compact and robust
- Halogen free
- UV resistant



Configuration examples





## Happy 0

Product	Pieces	Color	Description	A x B x C (mm)
Happy 0	x 4	●	Blister	41 x 28 x 19
Happy 0 Box12	x 12	○	Box	

IDEAL FOR (or similar):



## Happy 1

Product	Pieces	Color	Description	A x B x C (mm)
Happy 1	x 2	●	Blister	45 x 37 x 24
Happy 1 Box10	x 10	○	Box	

IDEAL FOR (or similar):



## Happy 2

Product	Pieces	Color	Description	A x B x C (mm)
Happy 2	x 1	●	Blister	53 x 39 x 24
Happy 2 Box7	x 7	○	Box	

IDEAL FOR (or similar):

