

844.100.110 S

MUFFEPROP

-Diameter: Ø110 mm
 -Syrefast stål: AISI316L/EN1.4404

Produktkoder

EAN: 5705499411416
 VVS nummer: 160264410
 RSK nummer: 1550353
 NRF nummer: 2171167
 LVI nummer: 0253239

Specifikation

Materiale: AISI 316L
 Materiale (EN): EN 1.4404
 Type: Propper
 Udløbsdiameter (mm): 110
 Vægt (kg): 0,71

Godkendelser



US - IAPMO File No.3247-19



NO - 0692-22



AUS - WMKT00204 - 22C



DK - VA 2.12/19349-22



DK - VA 2.12/19350-22



AUS - HACCP Region 1



EU - HACCP Region 4

MARINE - R4547 NATO CODIFICATION SYSTEM

Lloyds Register 92-00041 (E7)

ABS - 18-LD1716353-PDA

DNVGL - TAP0000023-rev2

PL - Hygienic Certificate - All products

RINA -MAC285119XG EuroPipe

KR - Type Approval CPH42135-PE001

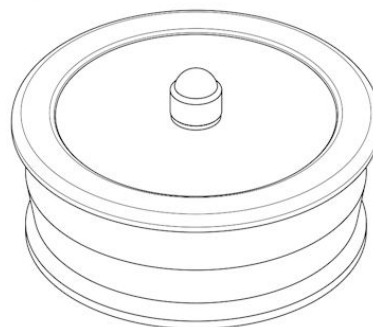
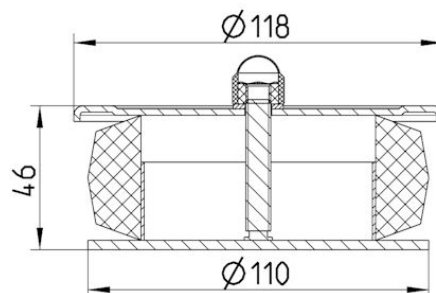
Achilles Certificate - 25316-21

RU - 0212322 Pipes-21

RS - 22.10018.262

Bureau Veritas, 02375-I0

UR - 1055745



BLÜCHER®

A WATTS Brand

© 2022 BLÜCHER