

# RJ45 connectors S-One & S-One DPM

User guide

Life Is On

**Schneider**  
Electric

## **WARNING**



### **HAZARD OF ELECTRIC SHOCK, EXPLOSION OR ARC FLASH**

- This equipment must only be installed by a qualified person. This operation must only be carried out after reading all the instructions in this document.

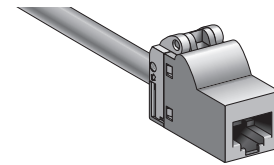
- NEVER work alone.
- Before making the visual inspections, tests or maintenance operations on this equipment, disconnect all electrical power supplies.
- Start off with the principle that all circuits are live until they have been completely powered down, tested and labeled. Pay special attention to the design of the power supply circuit. Take account of all power supply sources, including the possibility of feedback.
- Wear suitable personal protective equipment and respect applicable electrical safety instructions.
- Use a Voltage Tester of the appropriate rating.
- Take account of possible hazards. Carefully inspect the work area to check that no tools or objects could have been left inside the equipment.

**Failure to follow these instructions will result in death or serious injury.**

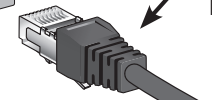
This instruction must be kept for future use.

### **IMPORTANT NOTE**

- This equipment be installed, repaired en maintained only by qualified personnel. No responsibility is assumed by Schneider Electric for any consequences arising out of the use of this documentation.
- A qualified person is one who has skills and knowledge related to the construction, installation and operation of electrical equipment and who has received safety training to recognize and avoid the hazards involved.
- Read this guide carefully and examine the equipment to become familiar with its operation before installing it.
- All applicable local, regional, and national regulations must be respected when installing, repairing, and maintaining this equipment.
- This device should not be installed if, when unpacking you observe that it is damaged.



RJ11



RJ 45



### **IMPORTANT**

Plugs compliant with  
IEC 60603-7 series (RJ45)

# DANGER



## RISQUE D'ÉLECTROCUTION, D'EXPLOSION OU D'ARC ÉLECTRIQUE

- L'installation de cet équipement doit impérativement être réalisée par une personne qualifiée. Cette opération doit être exécutée

uniquement en ayant pris connaissance de l'ensemble des instructions du présent document.

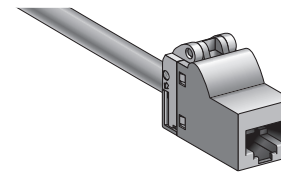
- Ne travaillez JAMAIS seul.
- Avant d'entreprendre des inspections visuelles, des tests ou des opérations de maintenance sur cet équipement, débrancher toutes les sources d'alimentation électrique.
- Partez du principe que tous les circuits sont sous tension jusqu'à ce qu'ils aient été mis complètement hors tension, testés et étiquetés. Faites particulièrement attention à la conception du circuit d'alimentation. Tenez compte de toutes les sources d'alimentation, y compris à la possibilité d'une rétroalimentation.
- Portez un équipement de protection personnelle adapté et respectez les consignes de sécurité électrique courantes.

**Le non-respect de ces instructions provoquera la mort ou des blessures graves.**

La présente instruction de service doit être conservée pour une utilisation future.

## REMARQUE IMPORTANTE

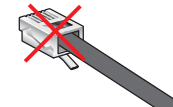
- L'installation, la réparation et la maintenance de cet appareil doivent être assurées uniquement par des personnes qualifiées. Schneider Electric décline toute responsabilité quant aux éventuelles conséquences découlant de l'utilisation de cette documentation.
- Une personne qualifiée est une personne disposant de compétences de connaissances en matière de construction, installation et fonctionnement du matériel électrique ayant bénéficié d'une formation de sécurité afin de percevoir et d'éviter les dangers associés.
- Lisez attentivement cette instruction de service et examinez l'appareil pour vous familiariser avec son fonctionnement avant de faire son installation.
- Toutes les réglementations locales, régionales et nationales applicables doivent être respectées lors de l'installation, réparation et maintenance de cet appareil.
- Cet appareil ne doit pas être installé si vous constatez lors du déballage qu'il est endommagé.



### IMPORTANT

Les plugs RJ45 doivent être conformes à la norme IEC 60603-7 séries (RJ45)

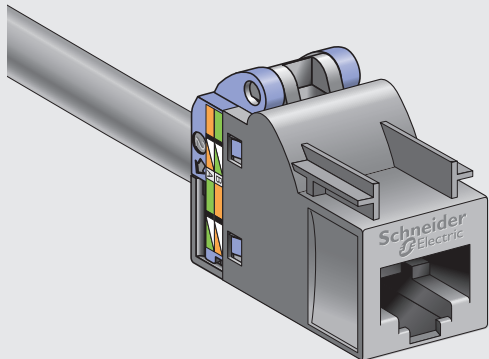
RJ11



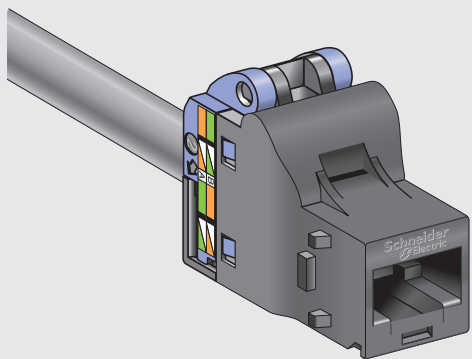
RJ 45

### Unshielded

Actassi S-One

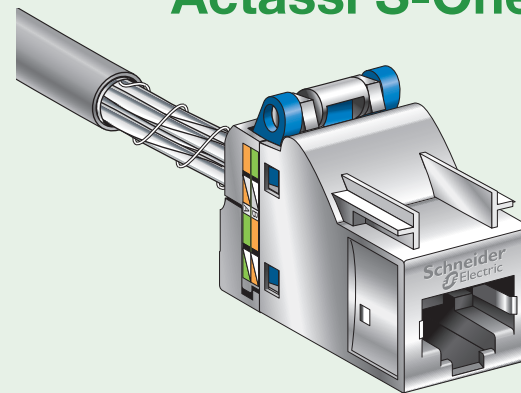


Actassi S-One DPM

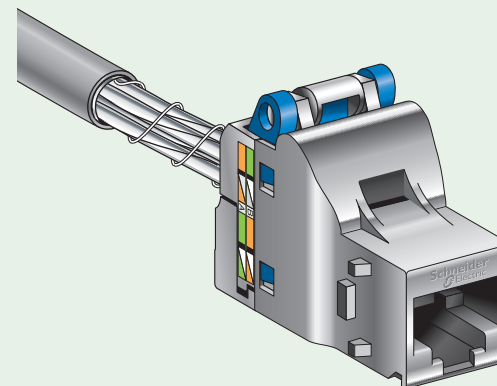


### Shielded

Actassi S-One

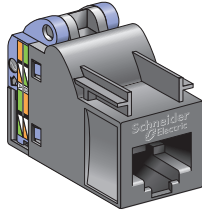


Actassi S-One DPM

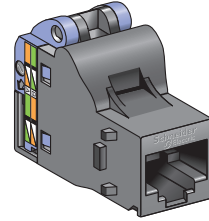


# ≡ Cables choice for S-One & S-One DPM unshielded connectors

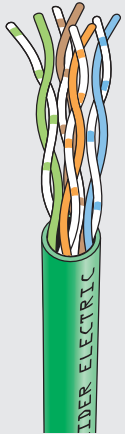
**S-One  
Unshielded**



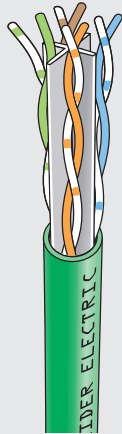
**S-One DPM  
Unshielded**



**Cable U/UTP  $\leq$  6 mm**



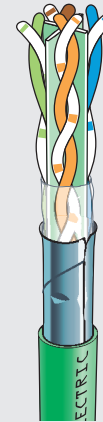
**Cat 5e**



**Cat 6**



**Cable U/UTP  $\geq$  6 mm**

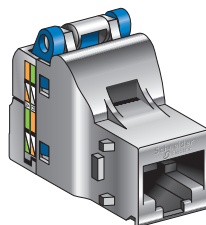
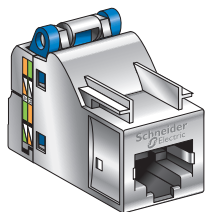


**Cat 6<sub>A</sub>**



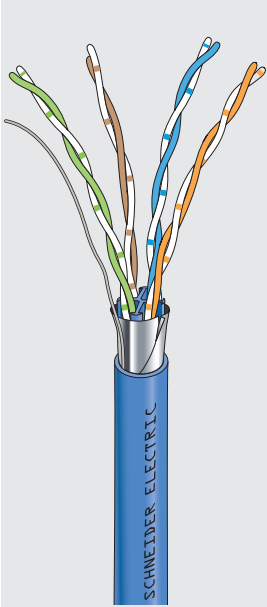
# ≡ Cables choice for S-One & S-One DPM shielded connectors

S-One  
Shielded

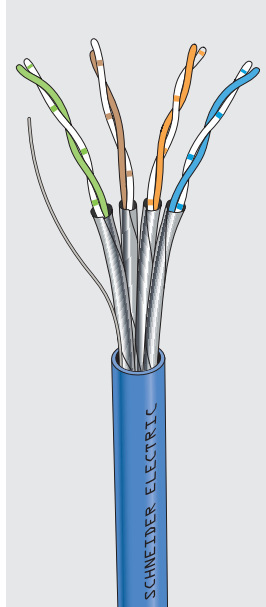


S-One DPM  
Shielded

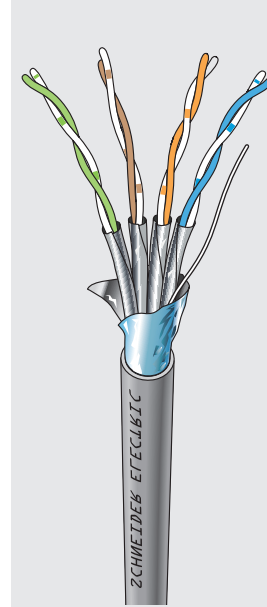
F/UTP



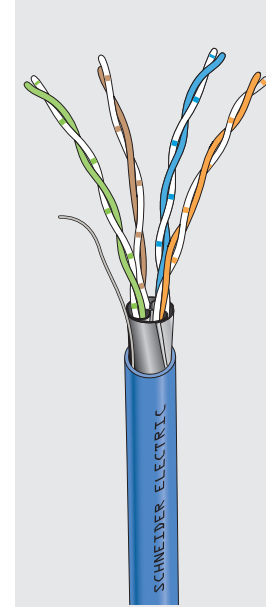
U/FTP



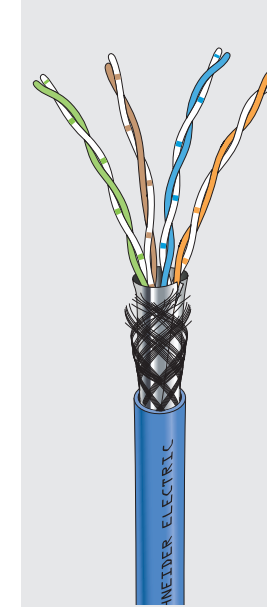
F/FTP



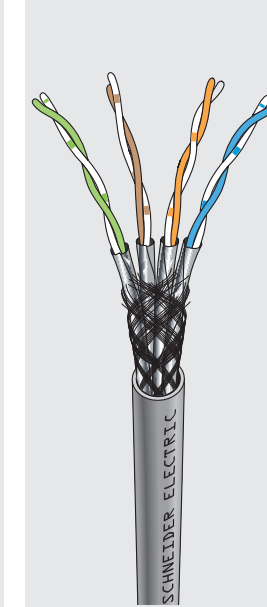
F/FTP (CLMX)



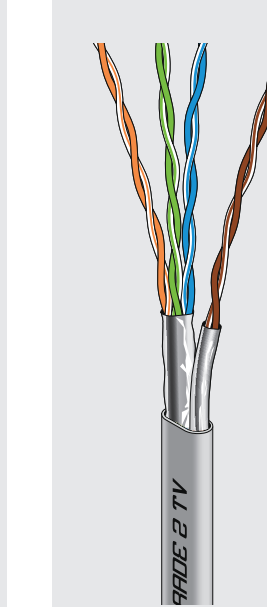
SF/UTP



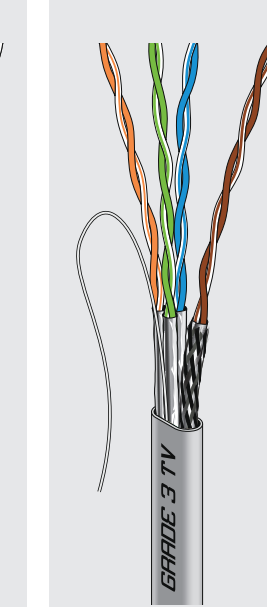
S/FTP



Grade 2 TV



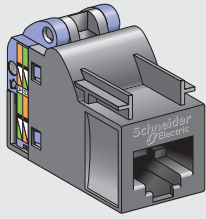
Grade 3 TV



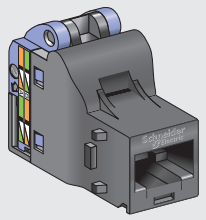
# Composition

## Unshielded connector

S-One

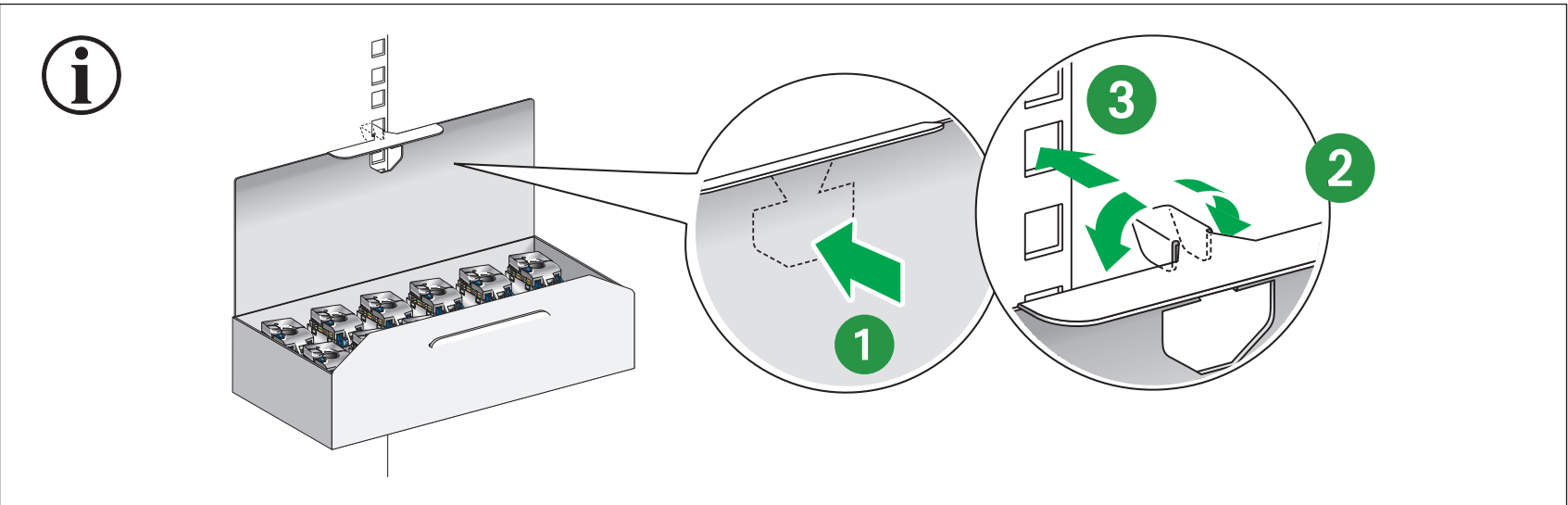
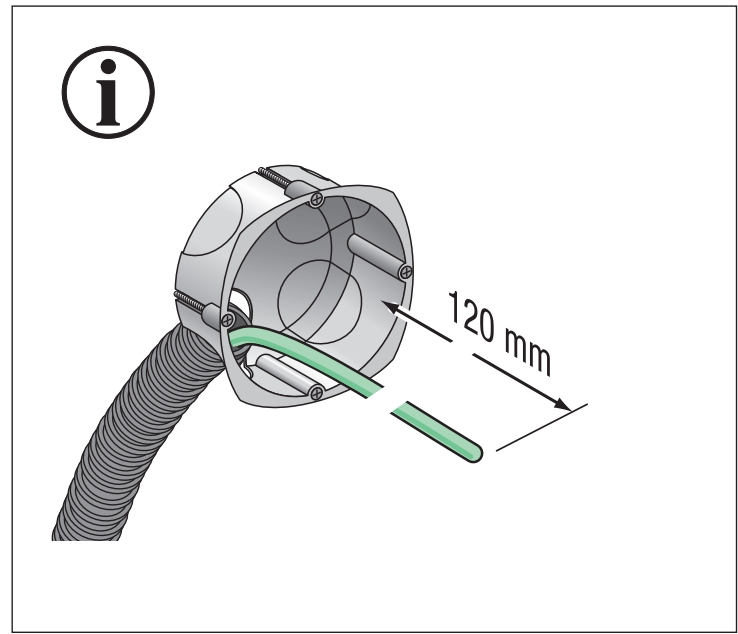
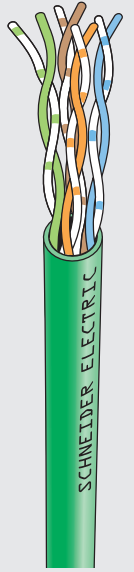


S-One DPM



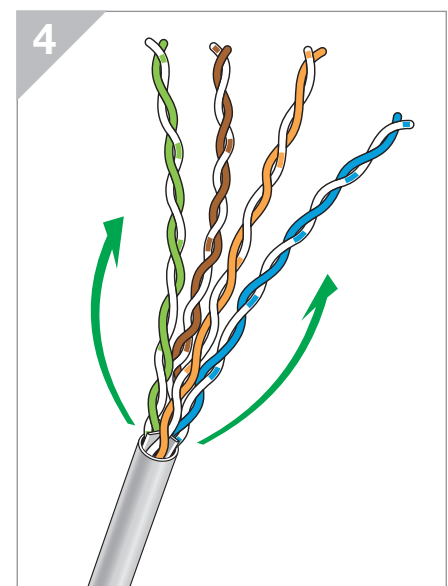
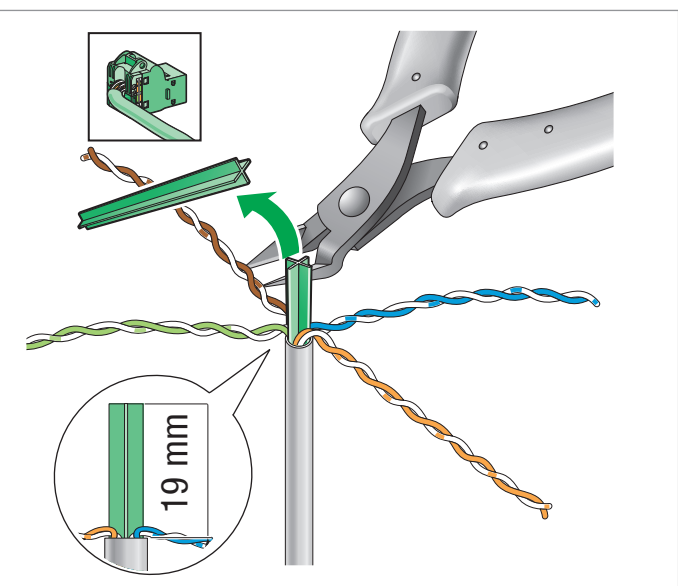
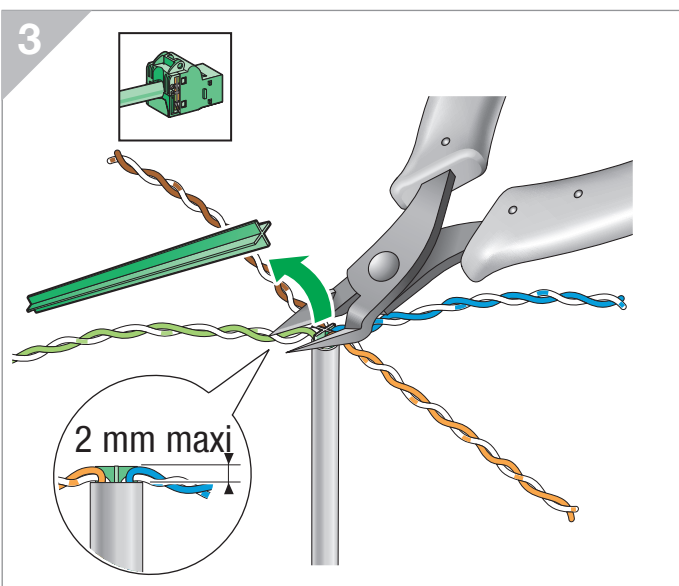
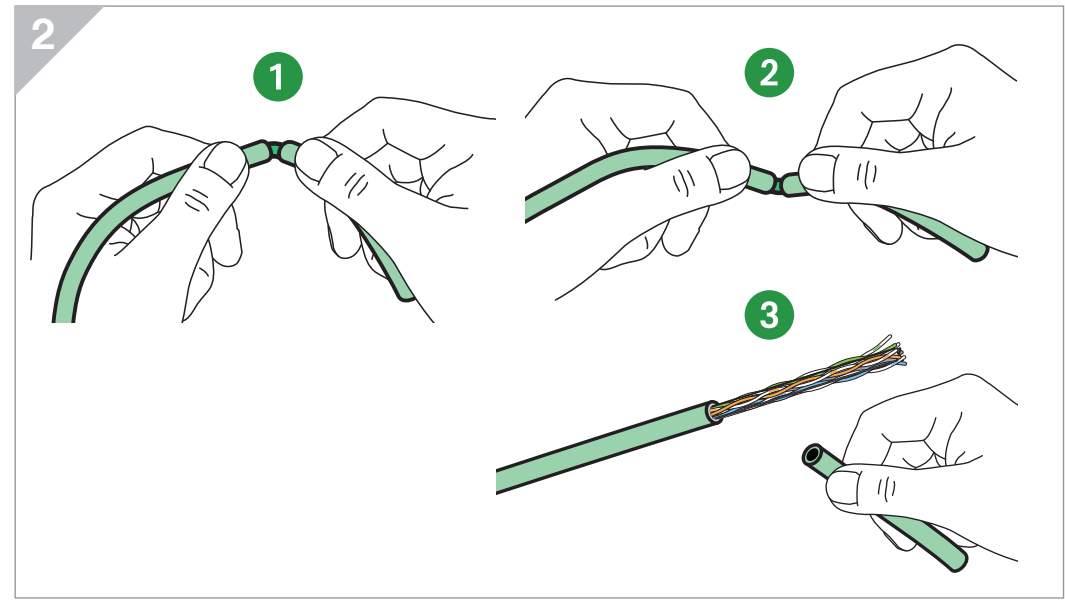
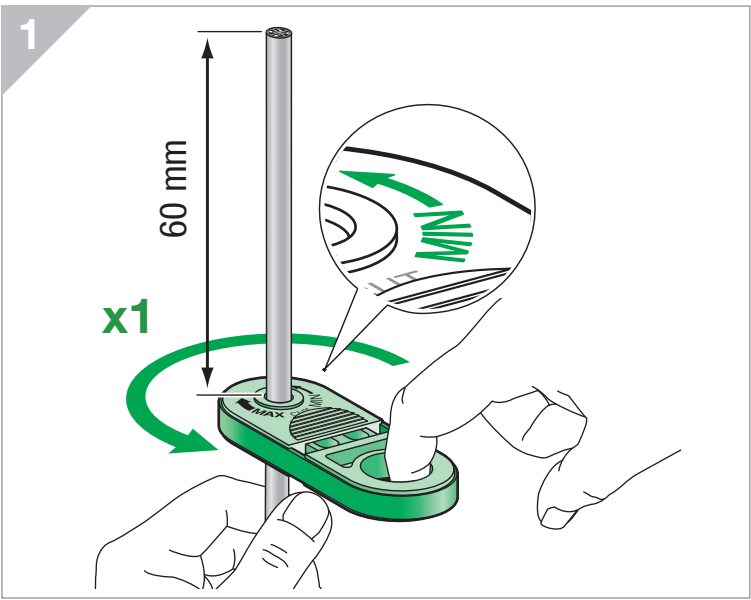
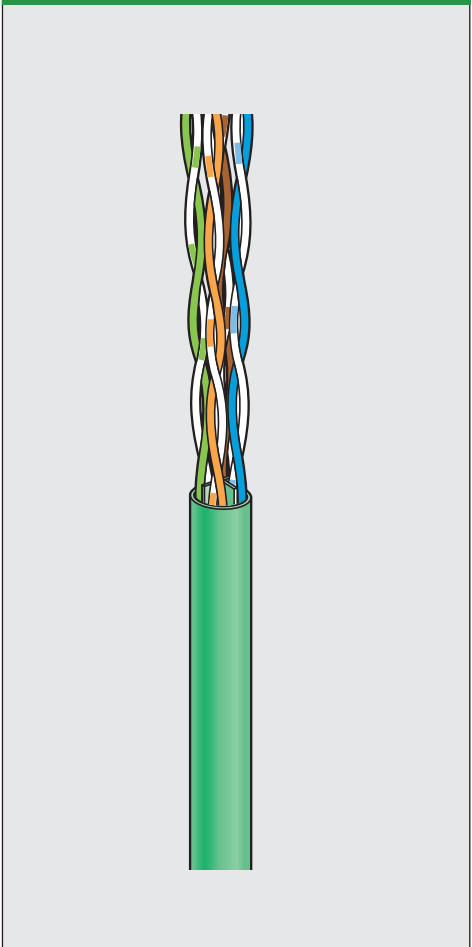
## U/UTP

Cat 5e  
Cat 6  
≤ 6 mm



# Cable preparation

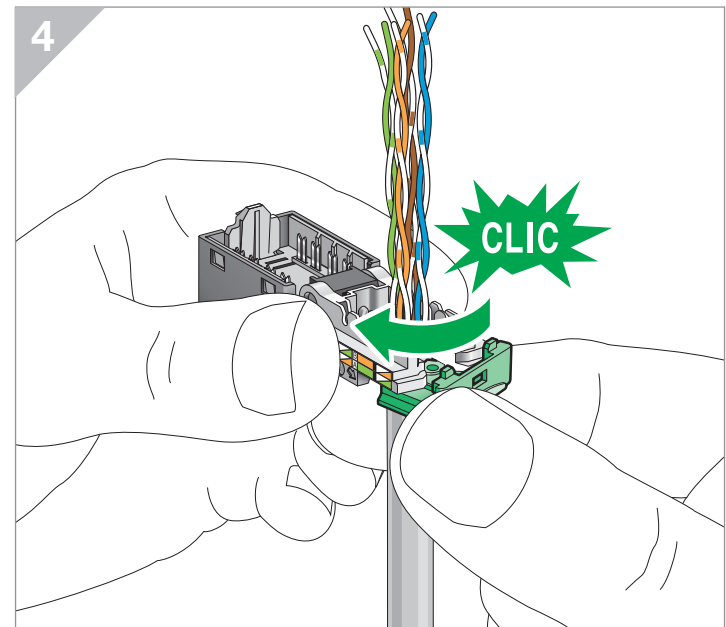
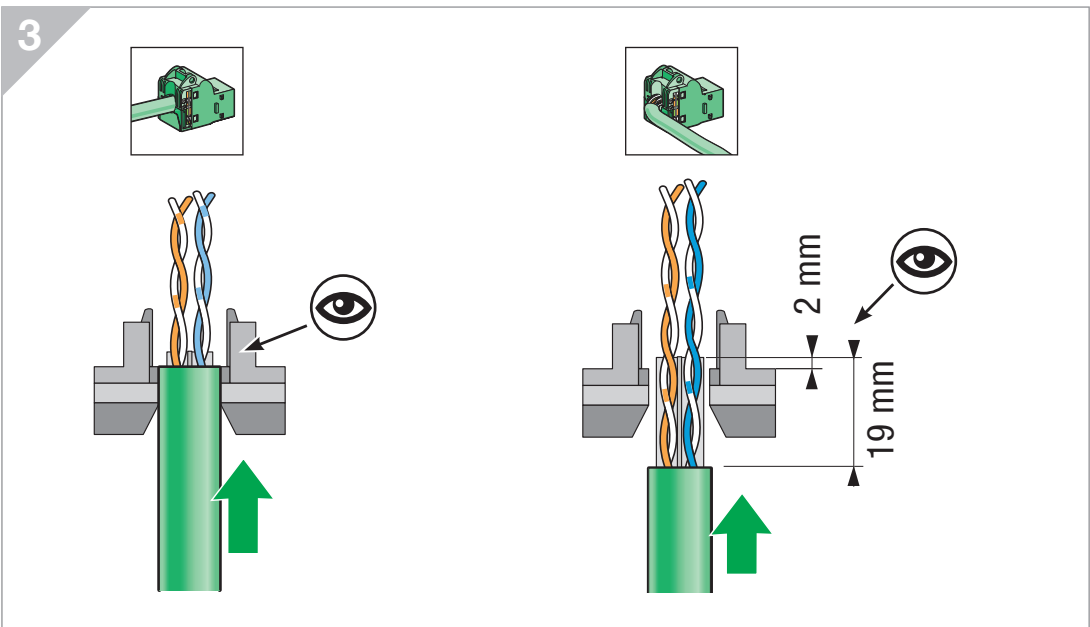
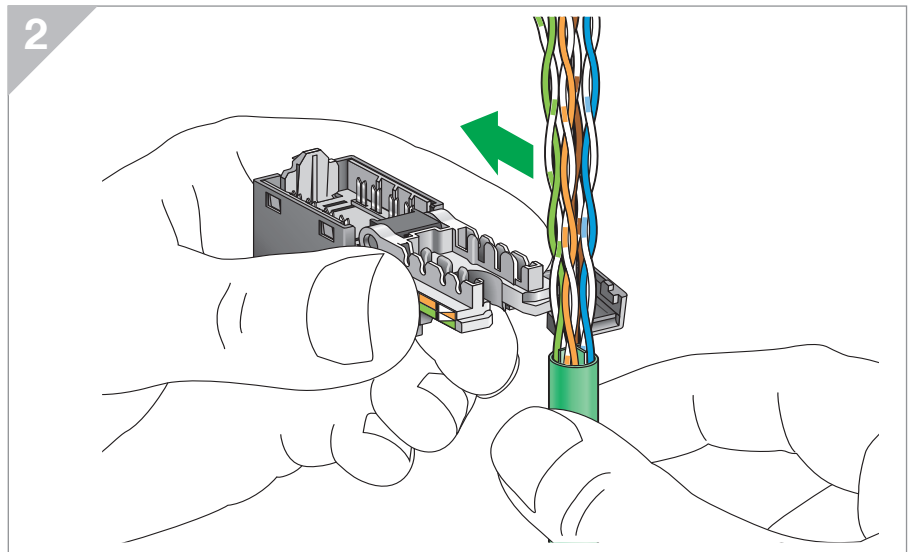
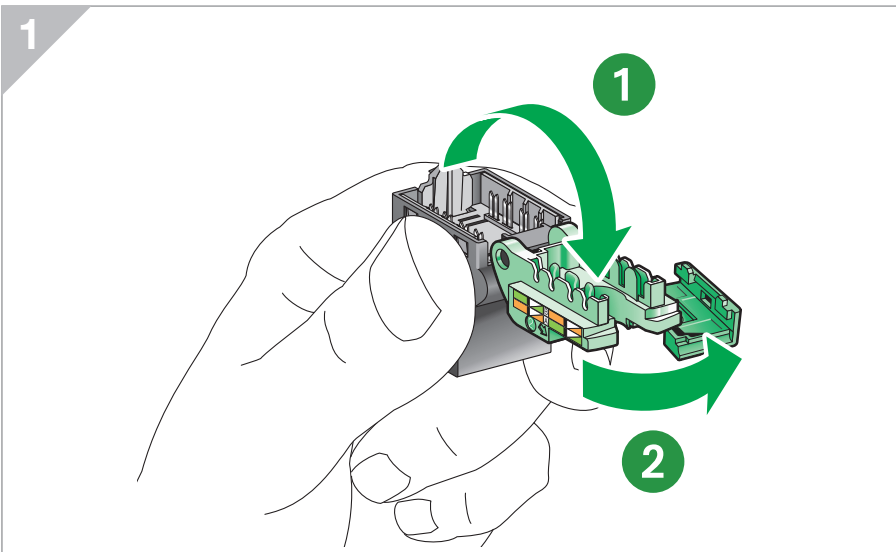
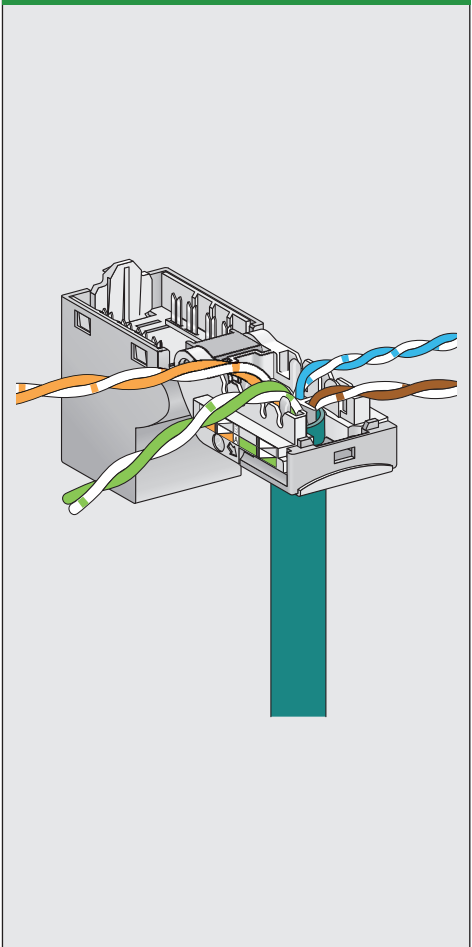
## U/UTP





# Connector wiring

## U/UTP

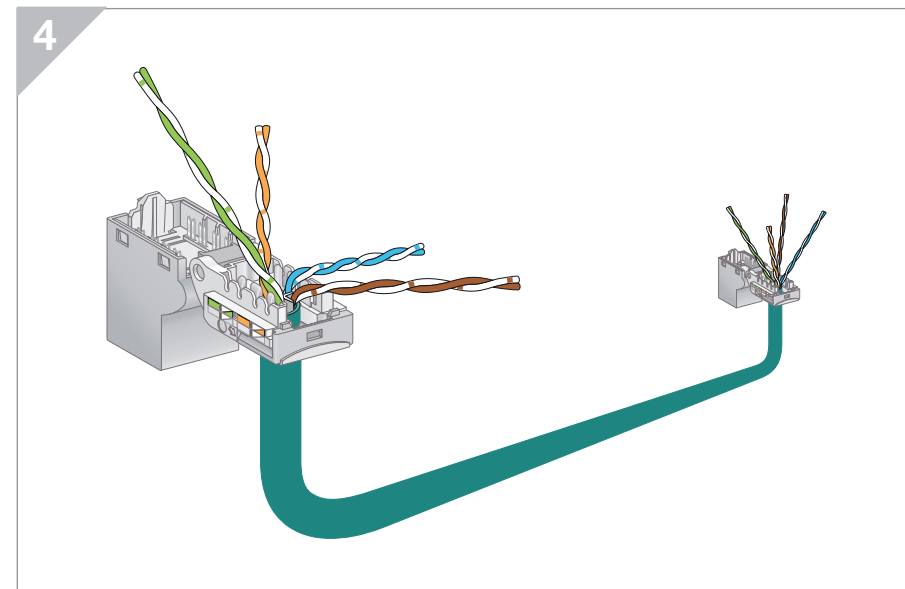
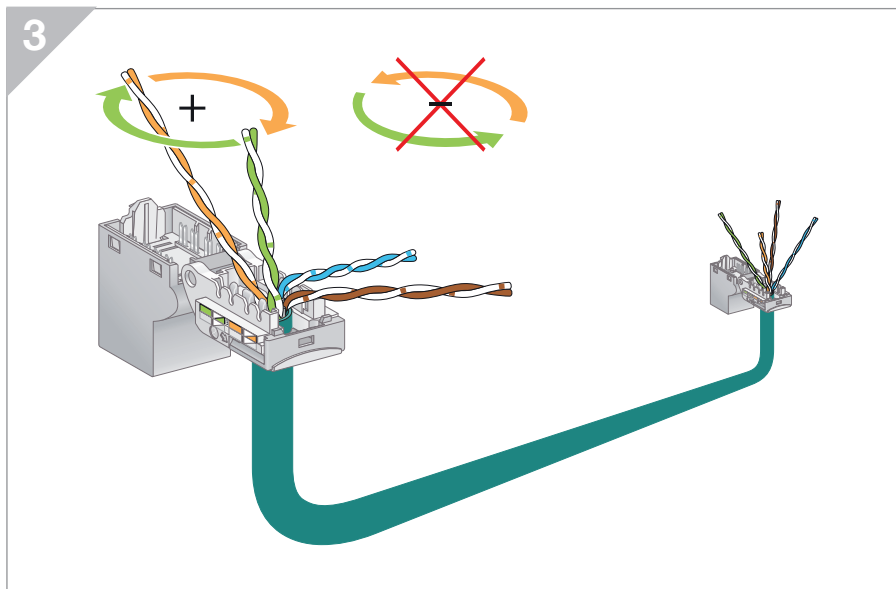
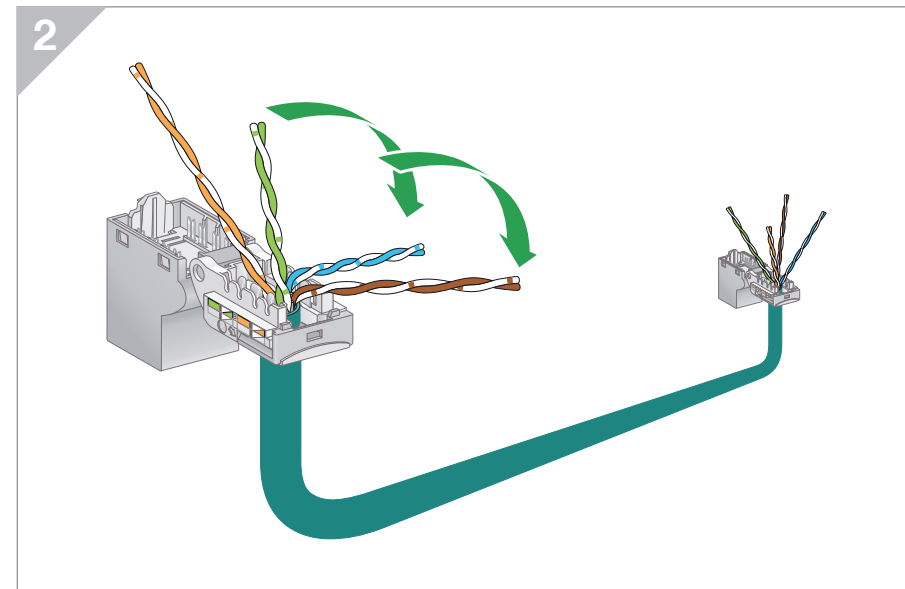
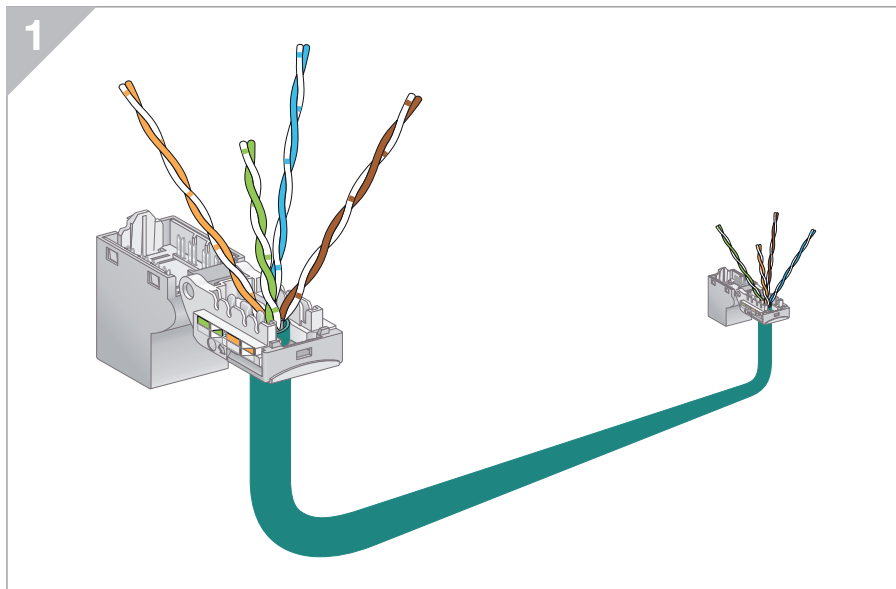
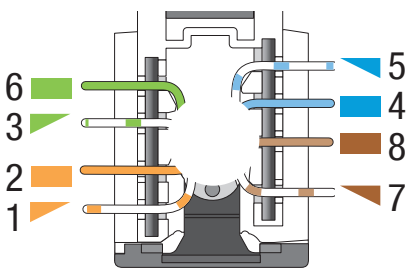


# Pairs crossing

## U/UTP

How to prepare a U/UTP cable with EIA-TIA 568B to reach high performance

EIA-TIA 568B (100Ω)

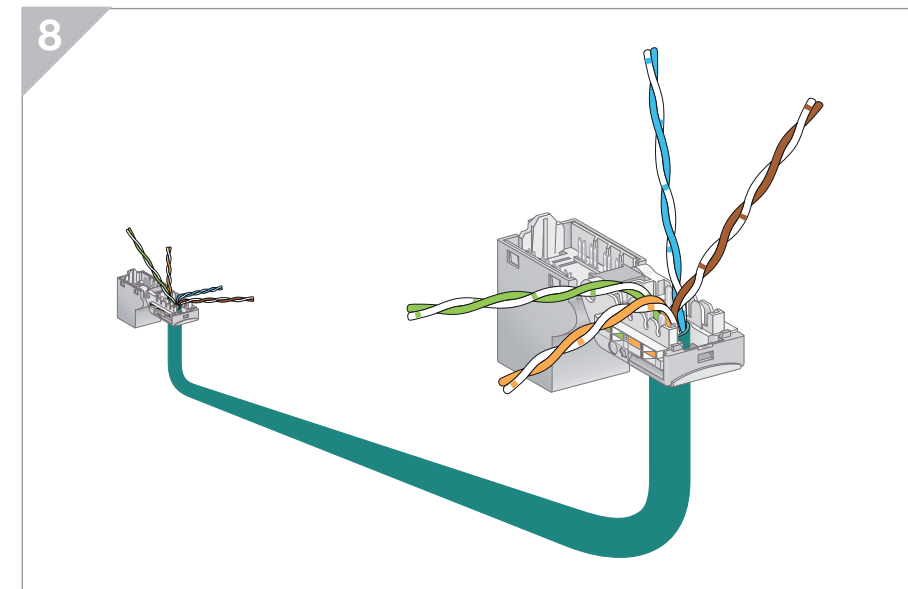
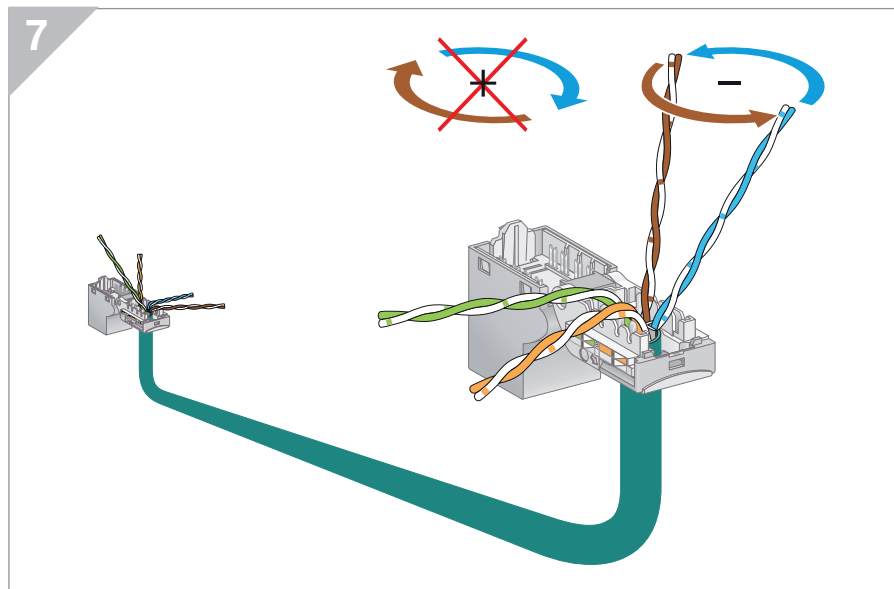
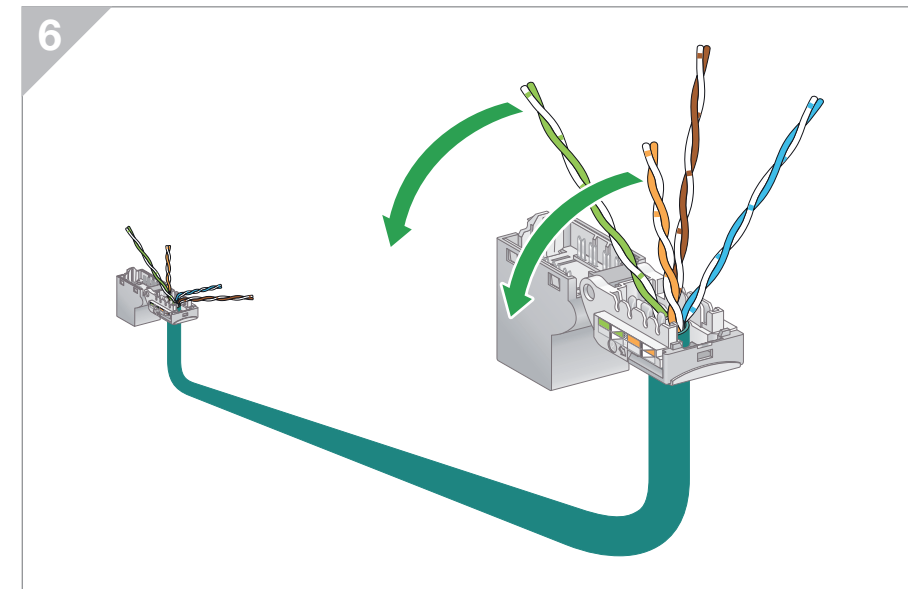
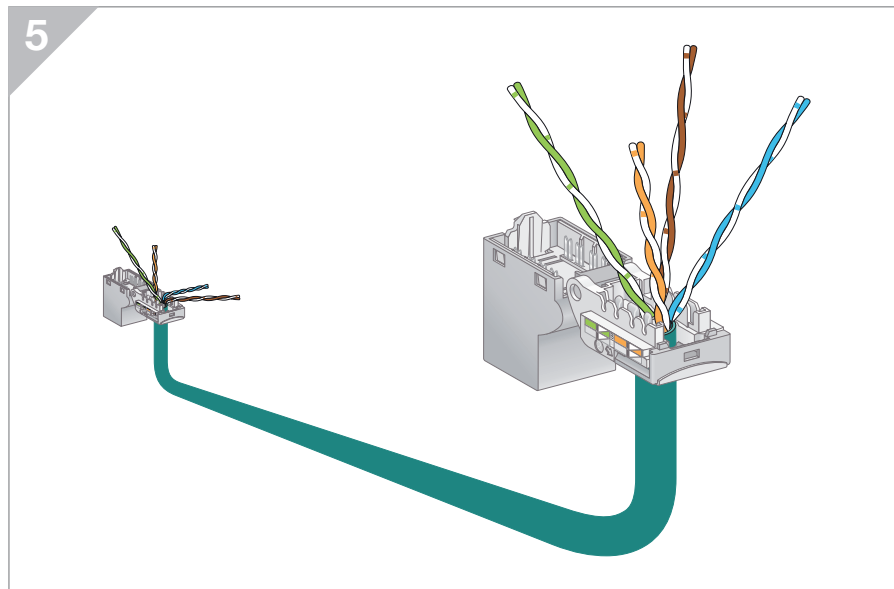
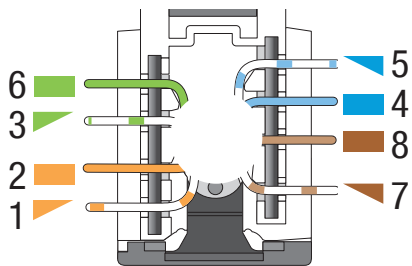


# Pairs crossing

## U/UTP

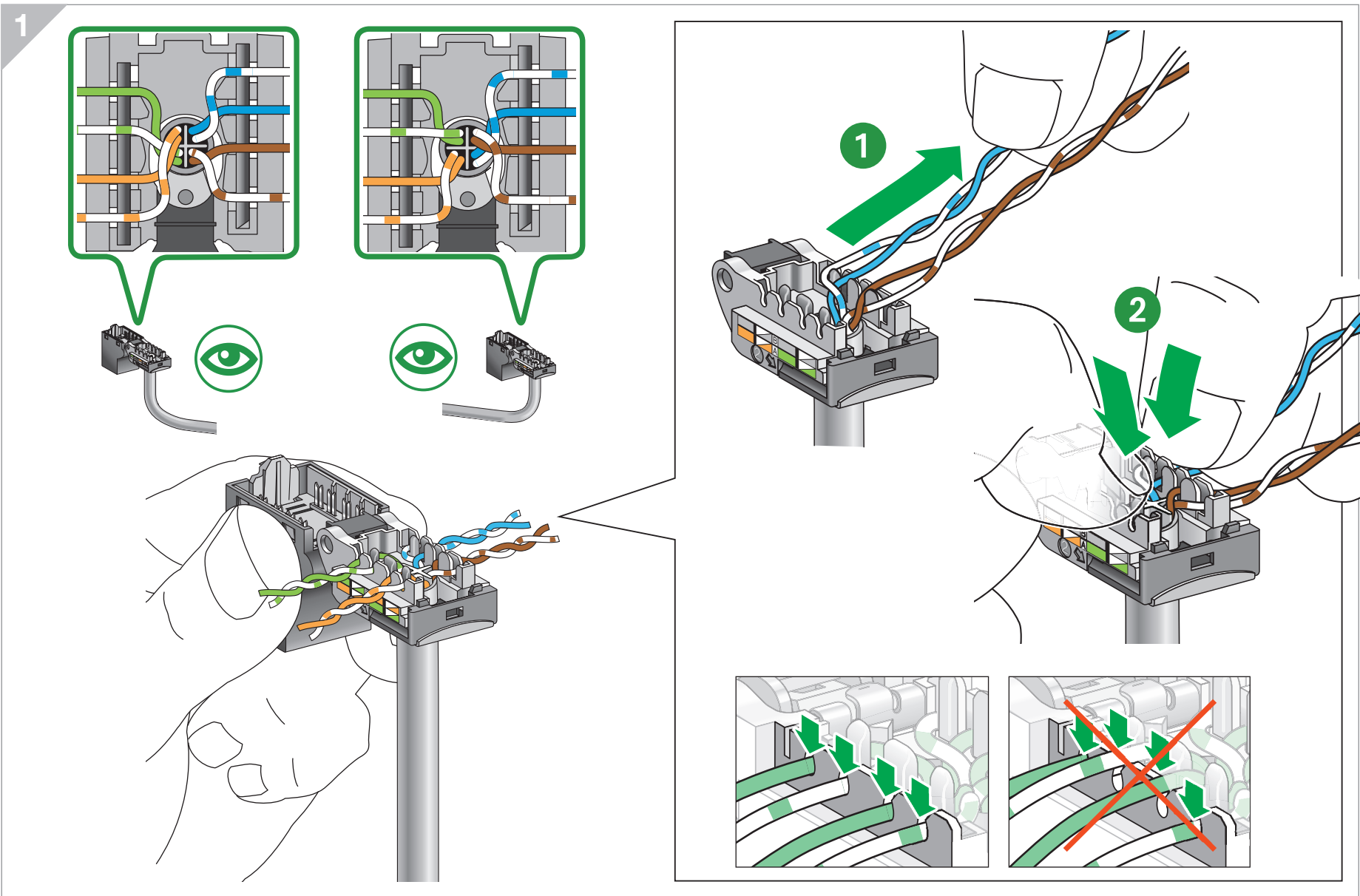
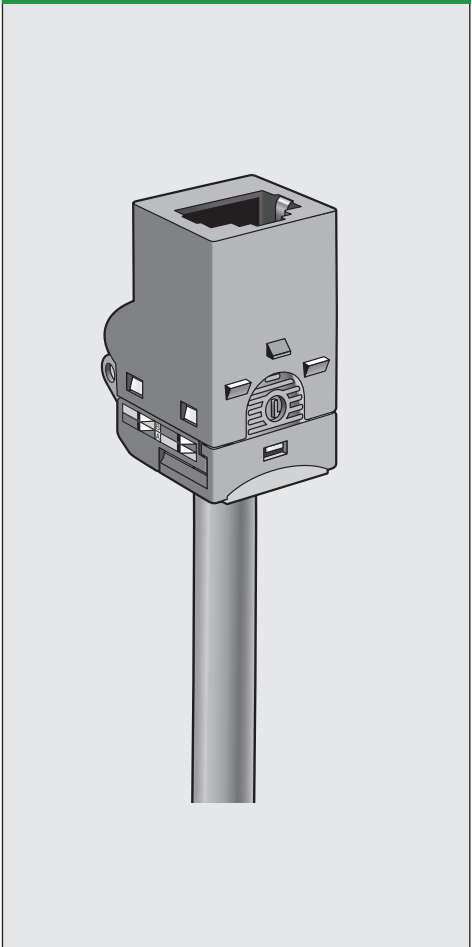
How to prepare a U/UTP cable with EIA-TIA 568B to reach high performance

### EIA-TIA 568B (100Ω)



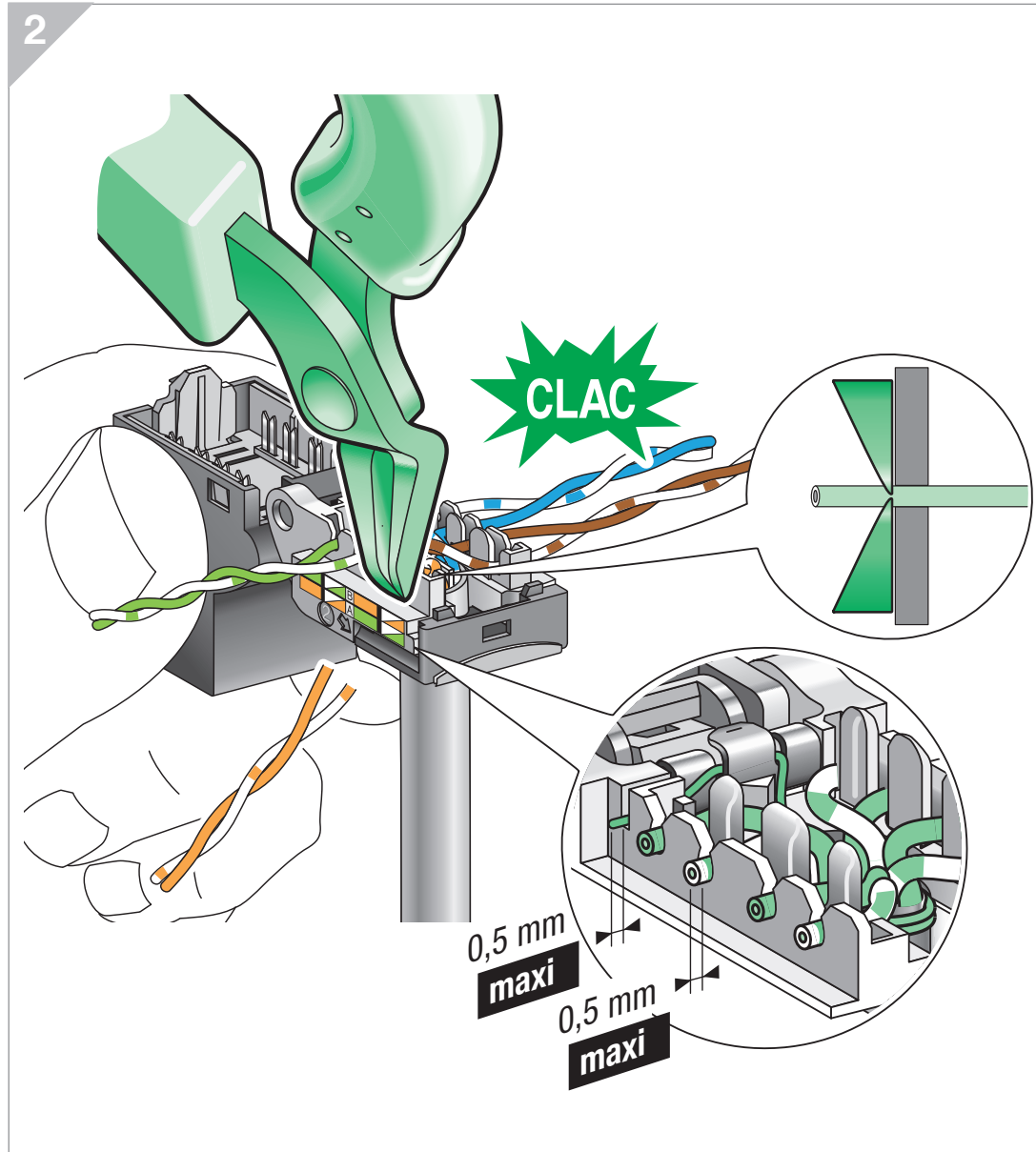
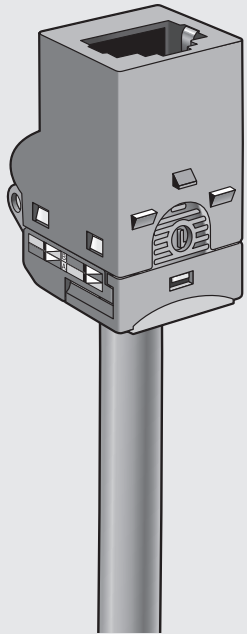
# Connector connection

## U/UTP



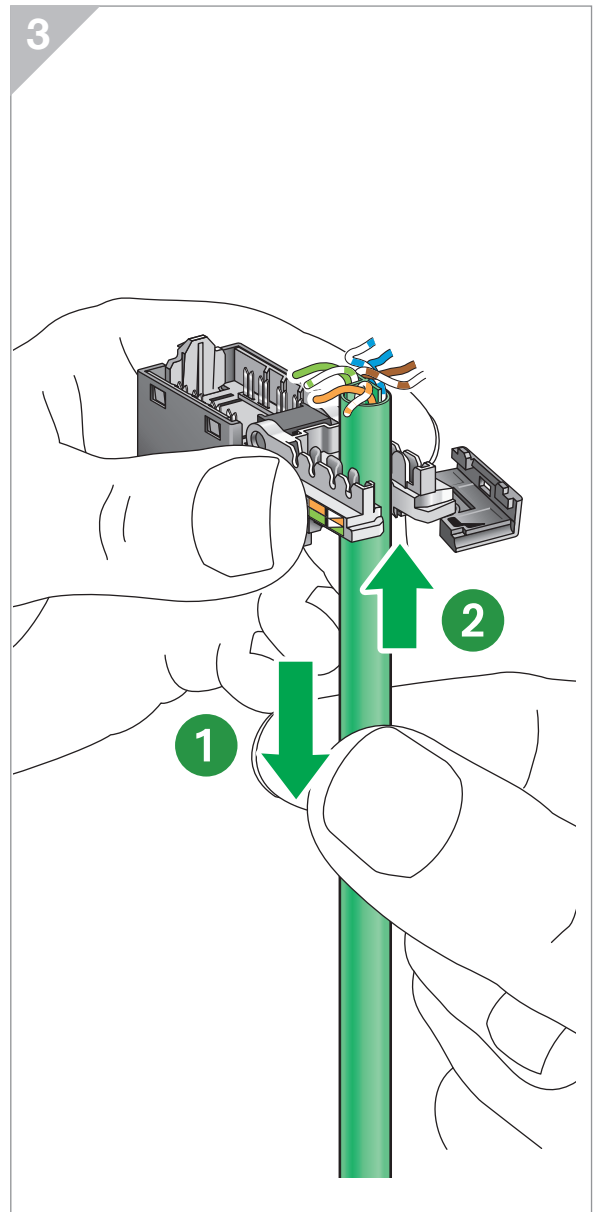
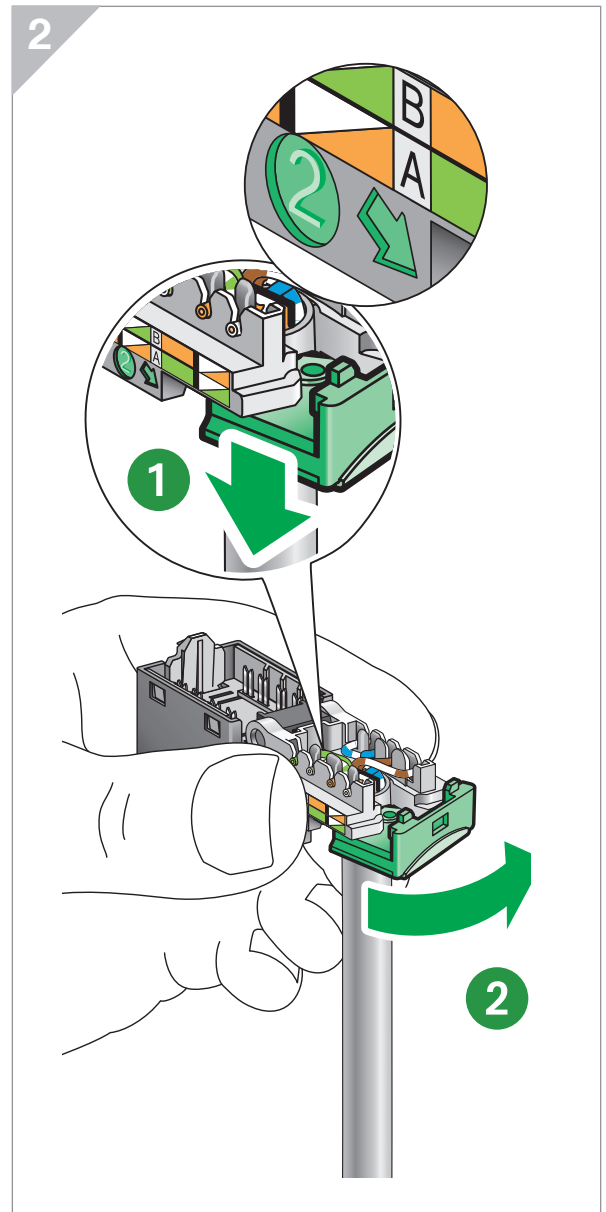
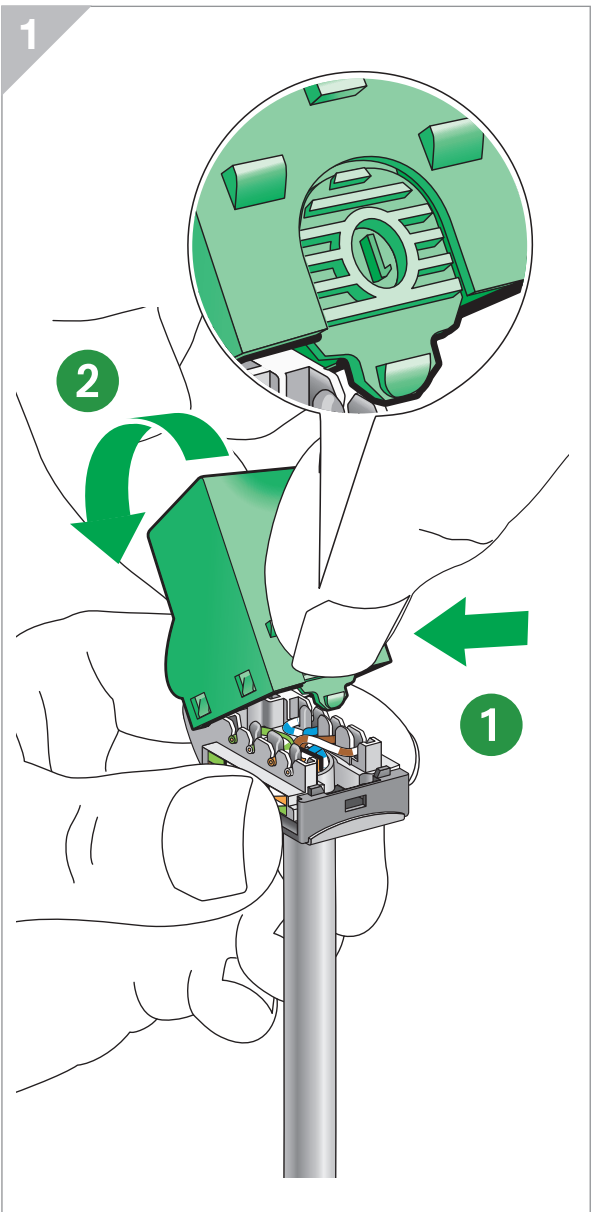
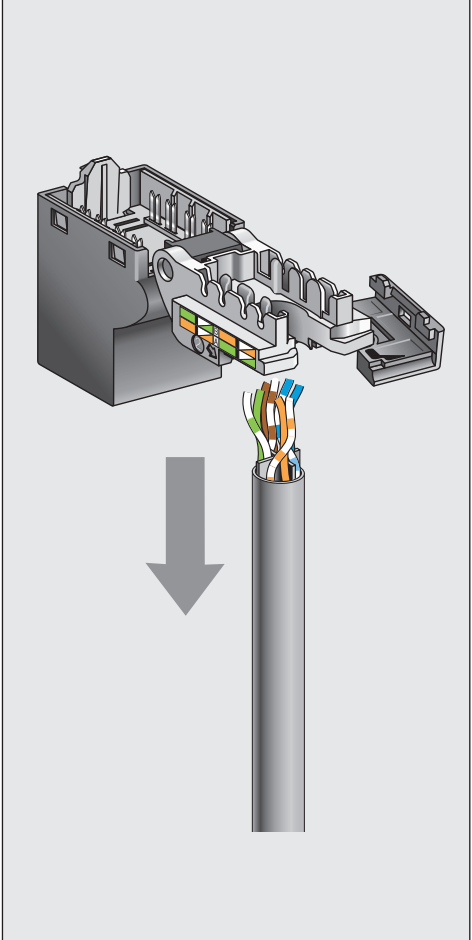
# Connector connection

U/UTP

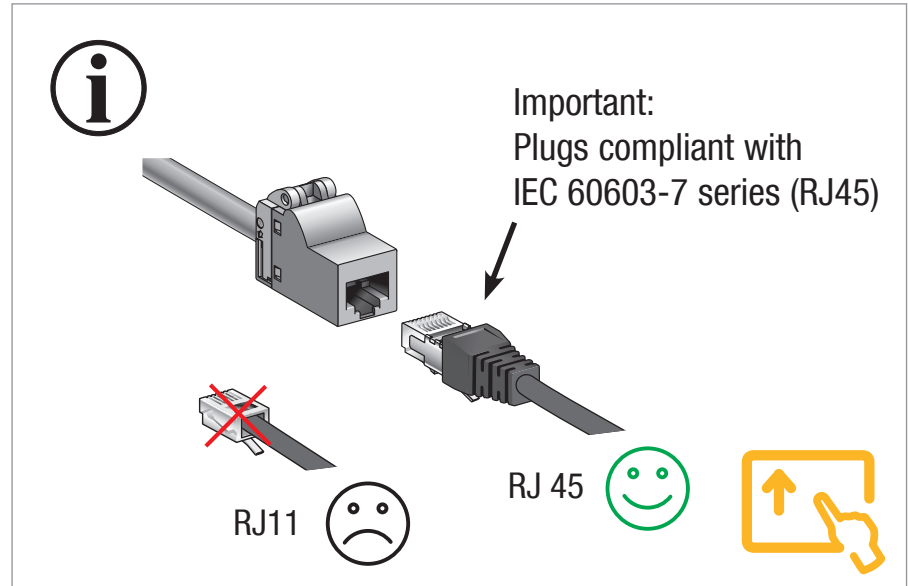
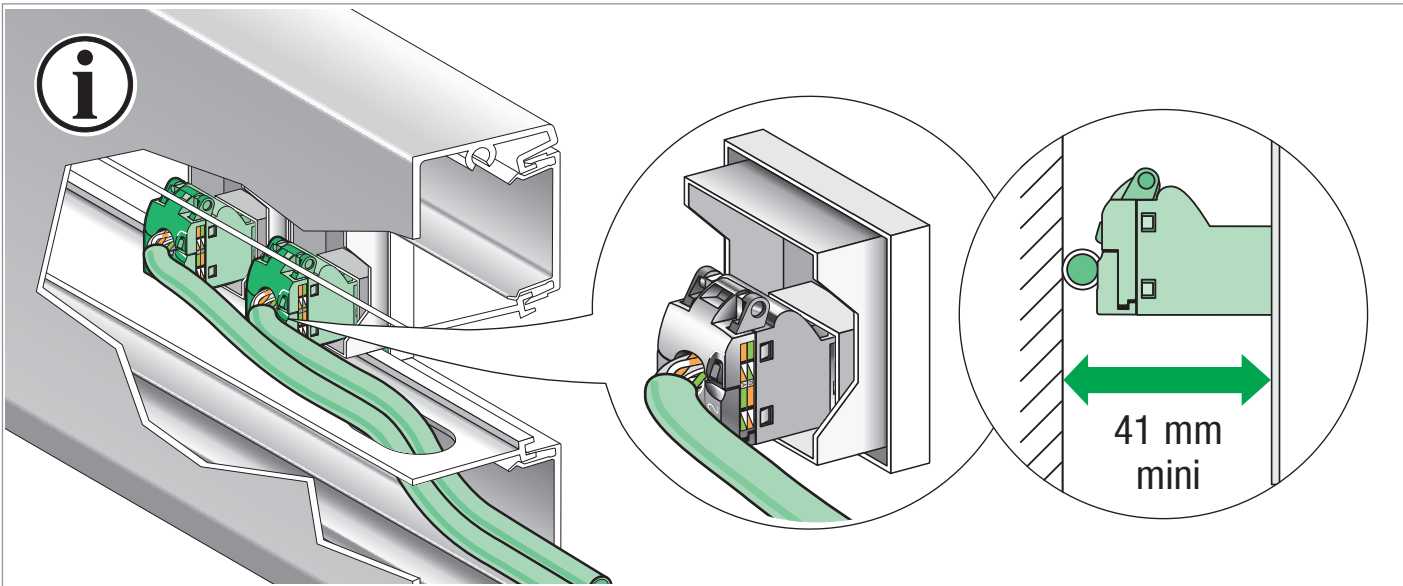
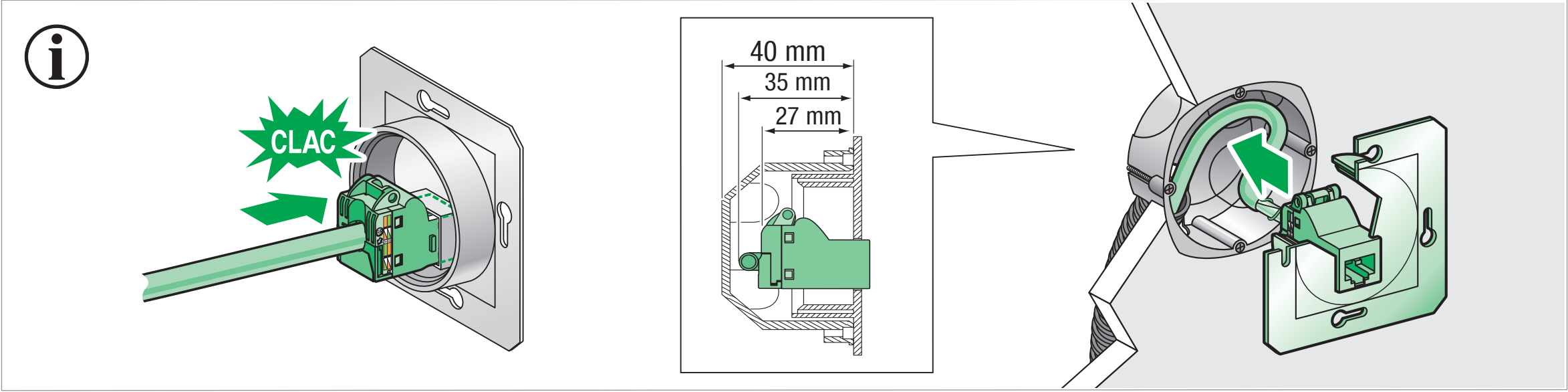


# Connector disconnection

## U/UTP



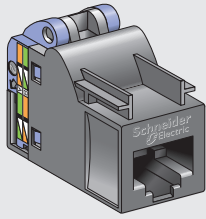
# Actassi S-One & S-One DPM Unshielded connectors - U/UTP cable



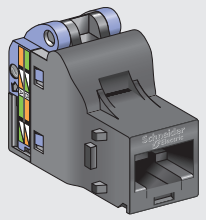
# Composition

## Unshielded connector

S-One

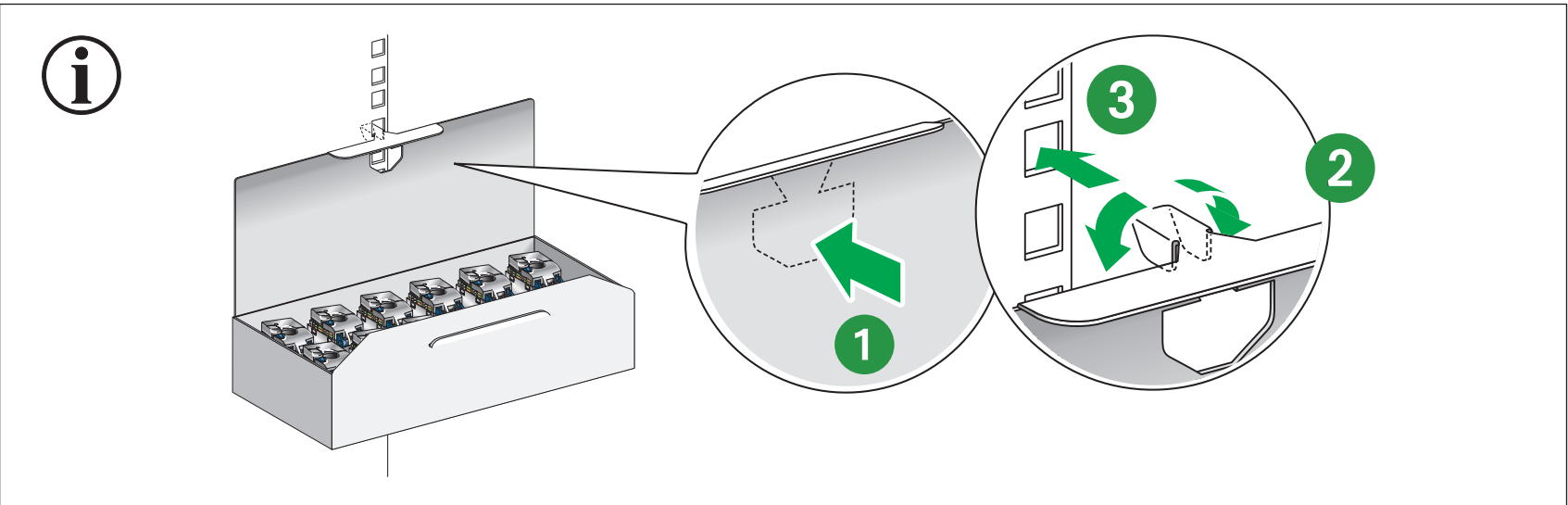
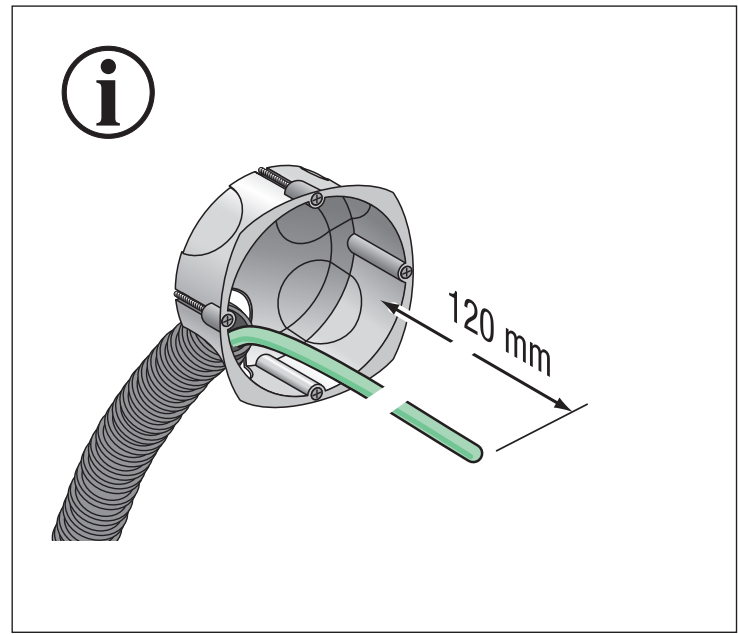
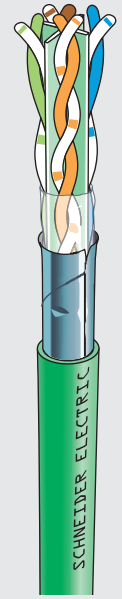


S-One DPM



## U/UTP

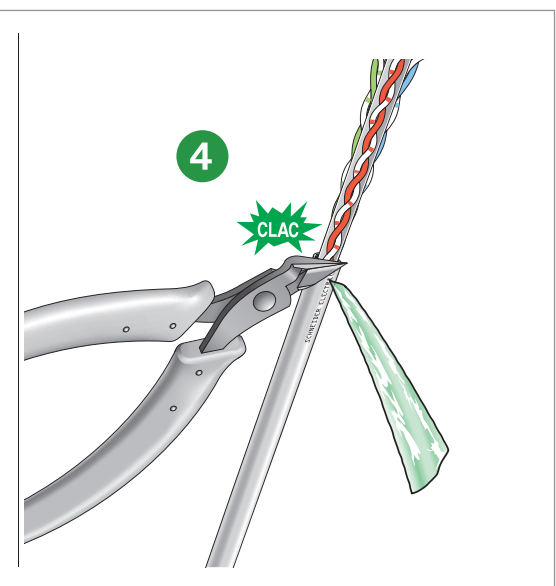
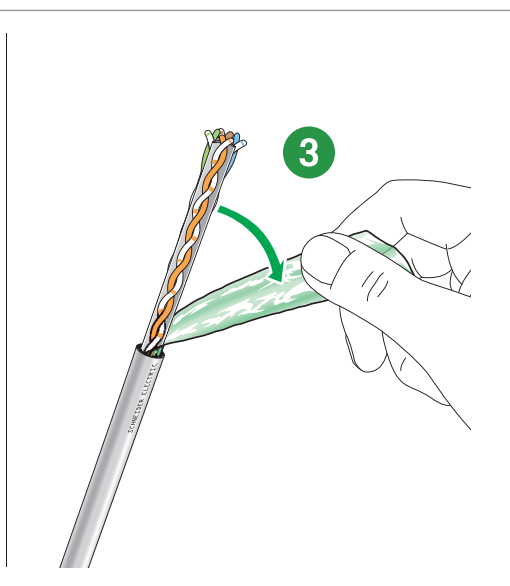
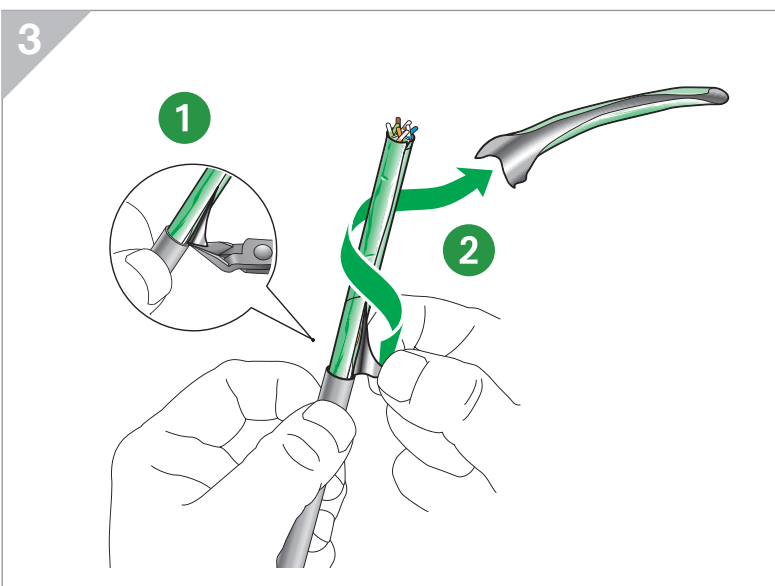
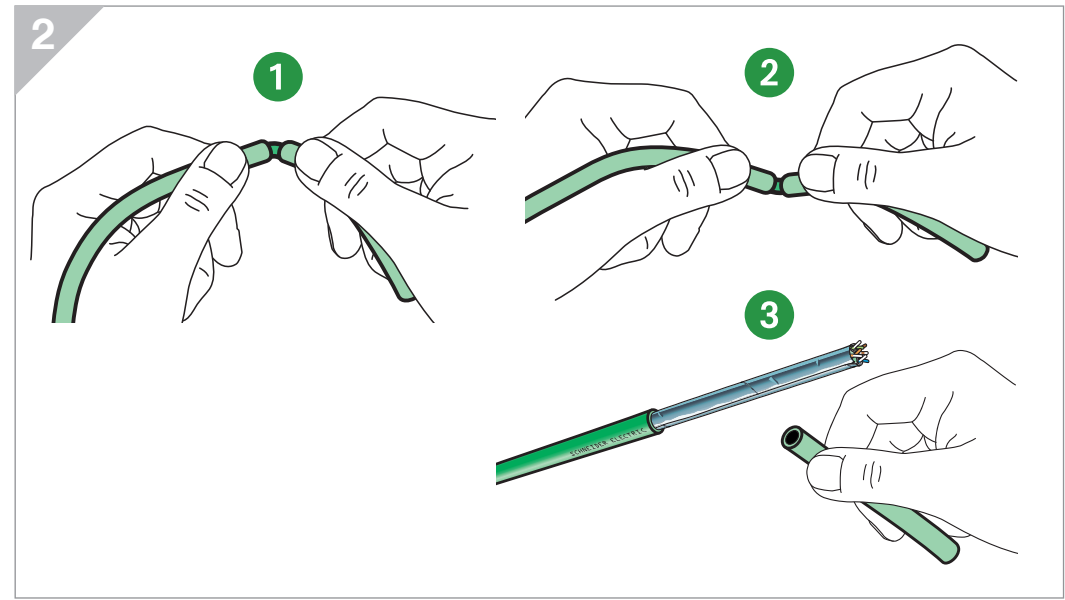
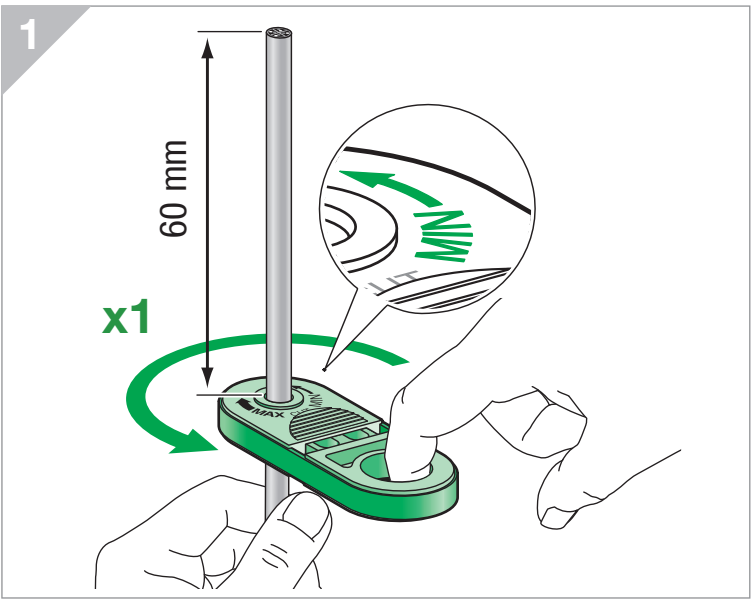
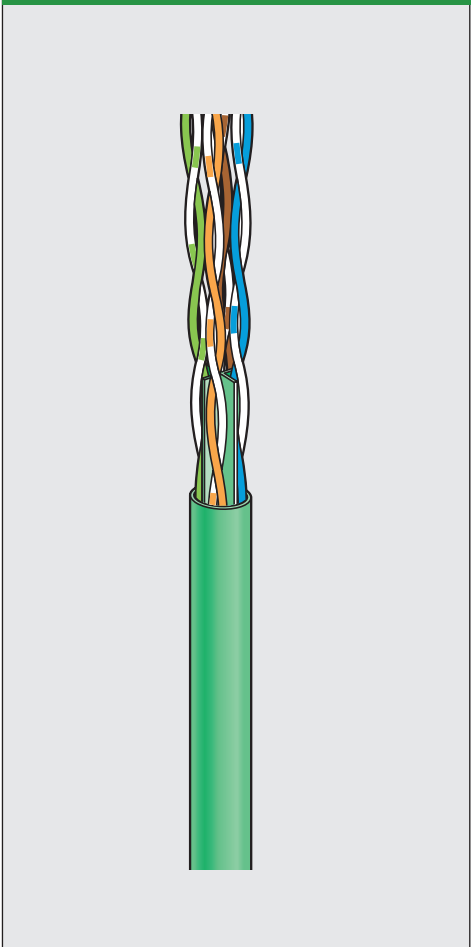
Cat 6  
7 mm





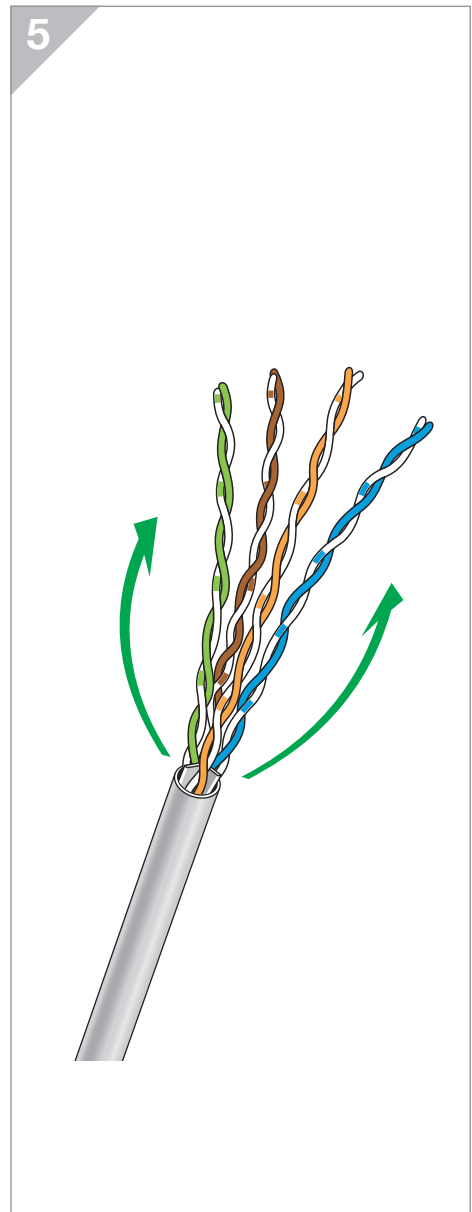
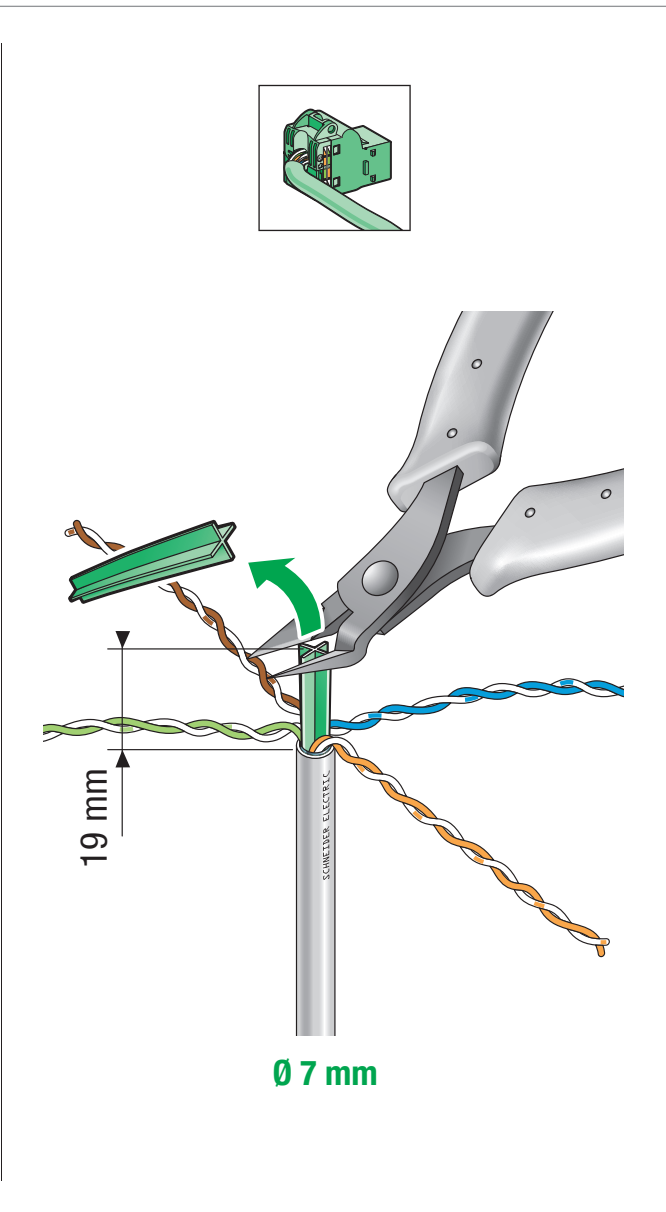
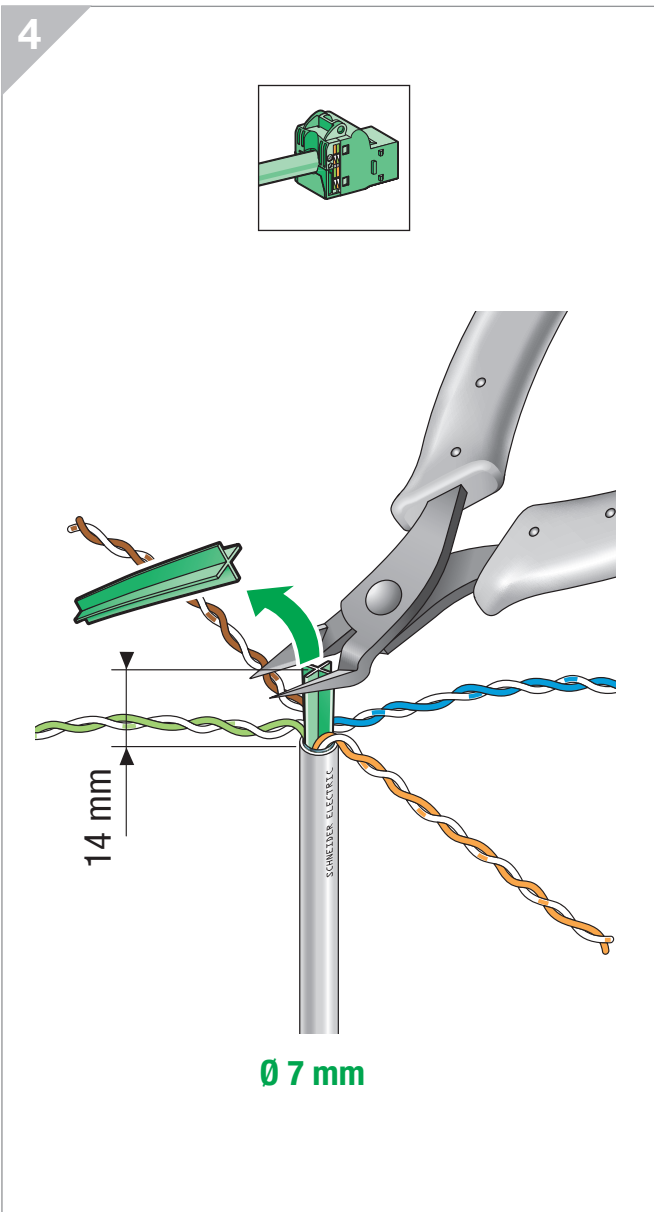
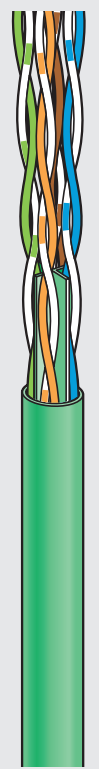
# Cable preparation

## U/UTP



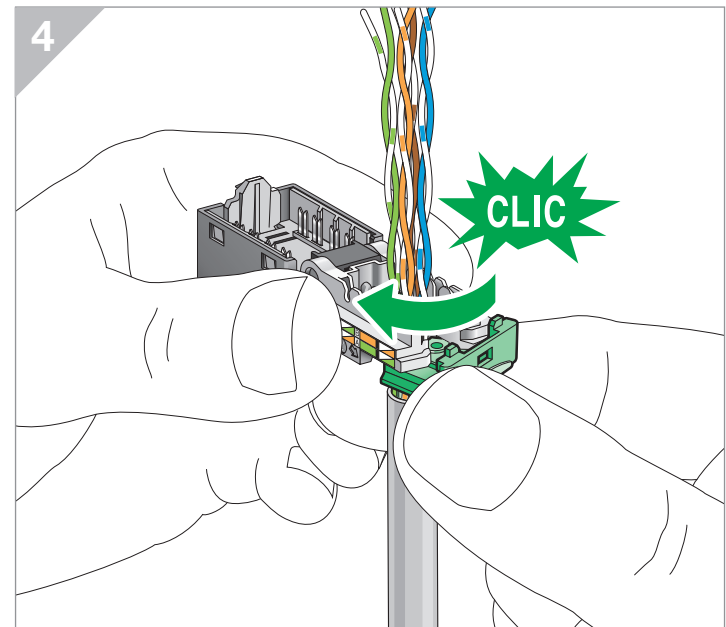
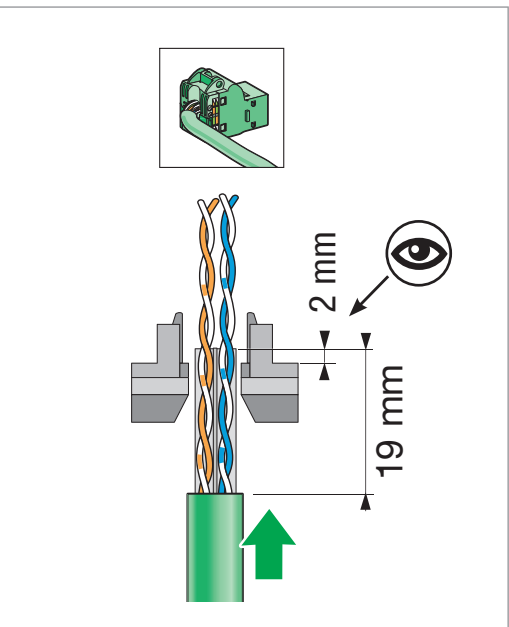
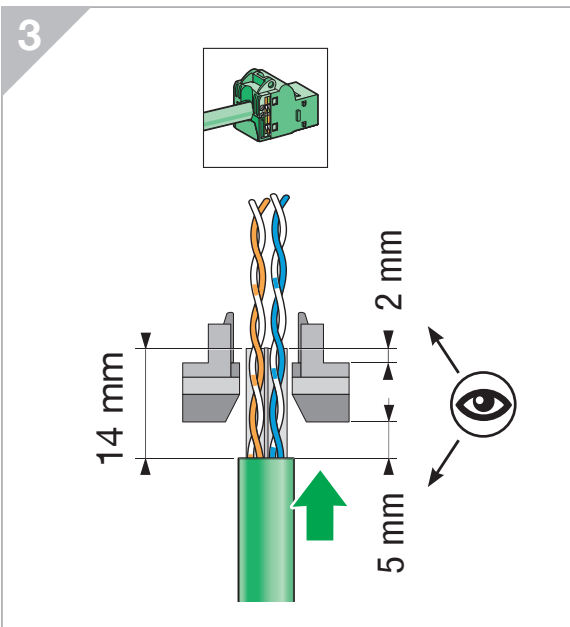
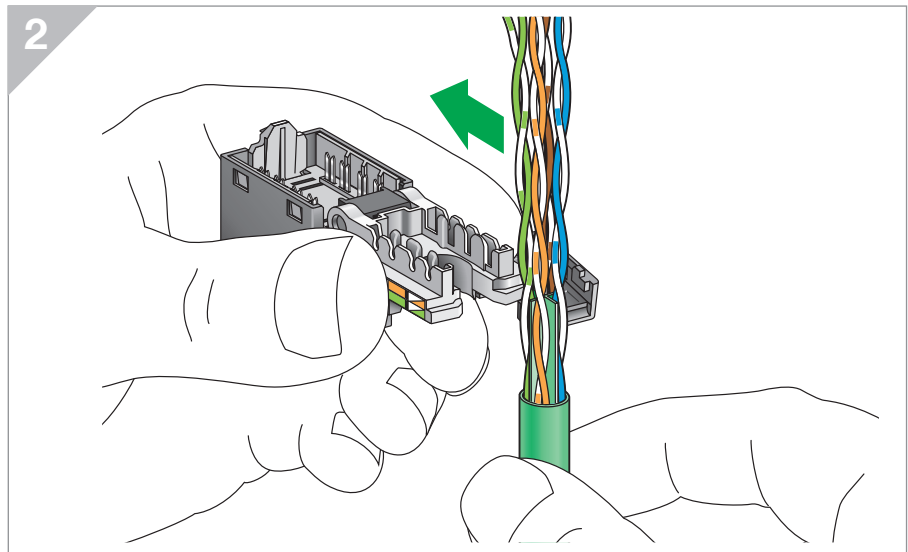
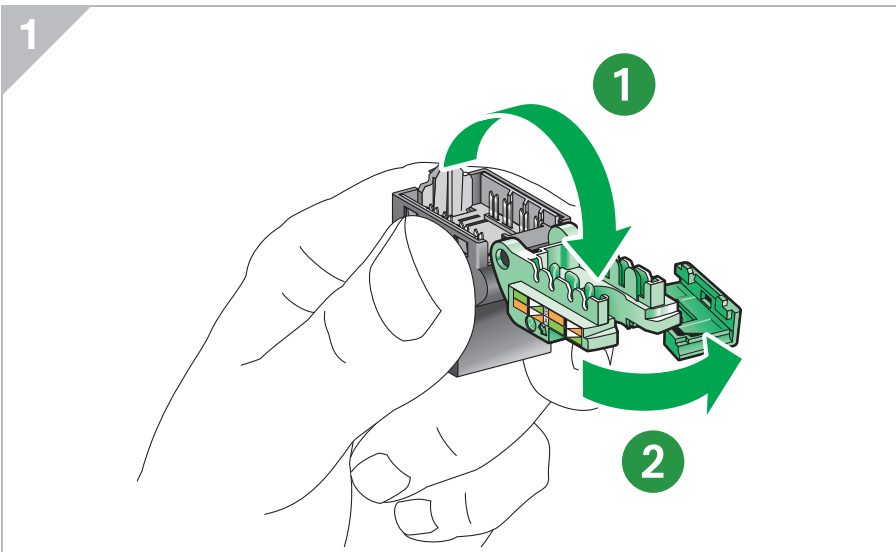
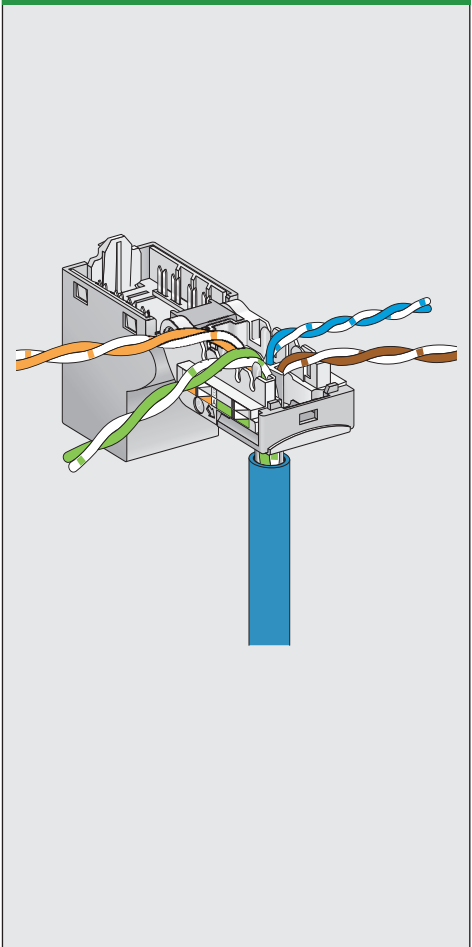
# Cable preparation

## U/UTP



# Connector wiring

## U/UTP

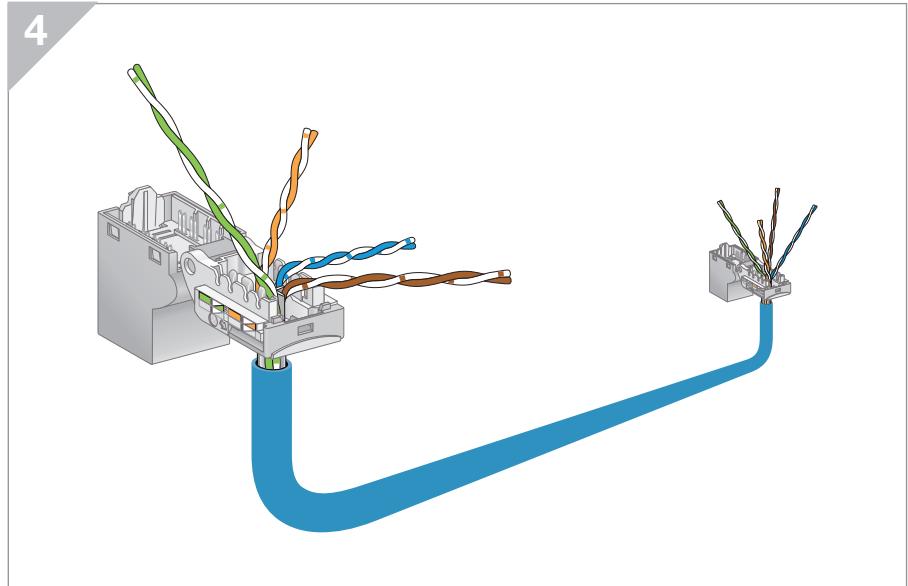
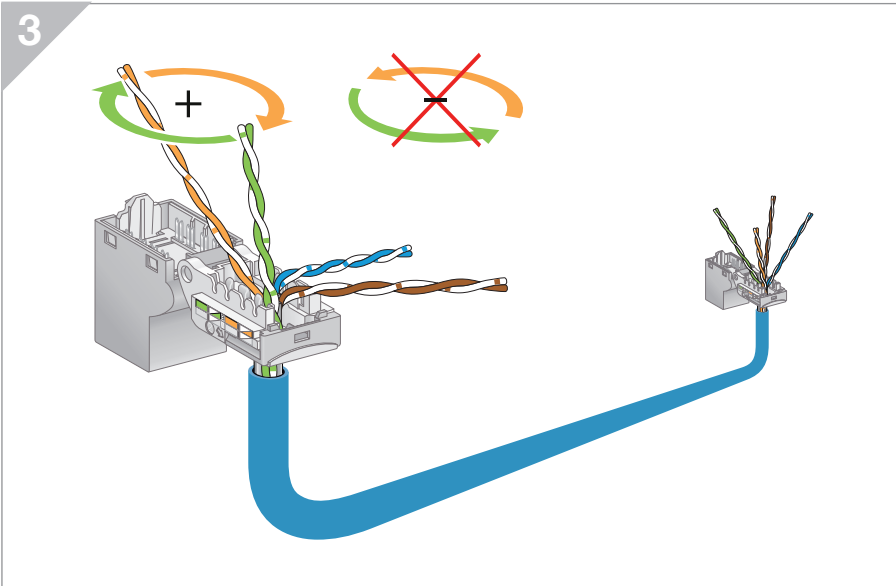
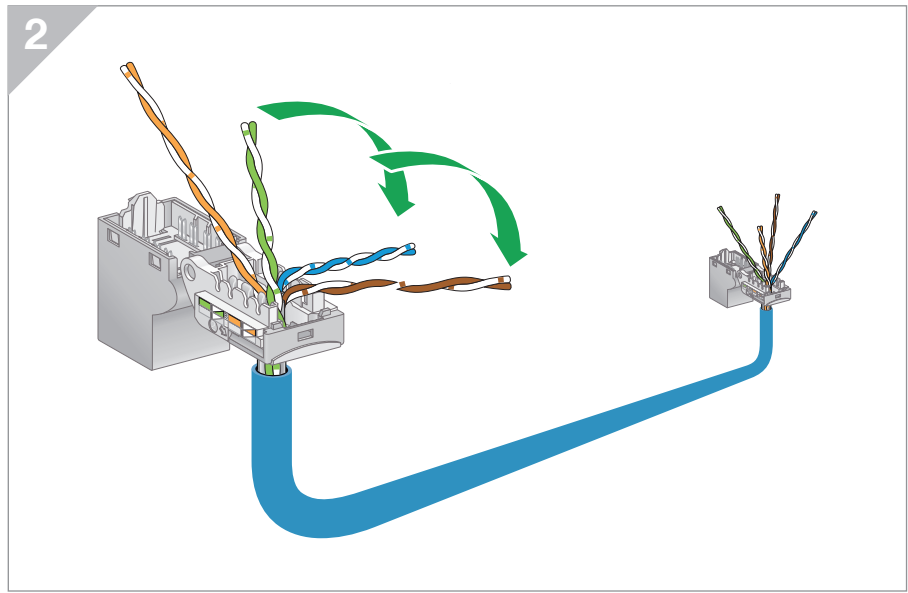
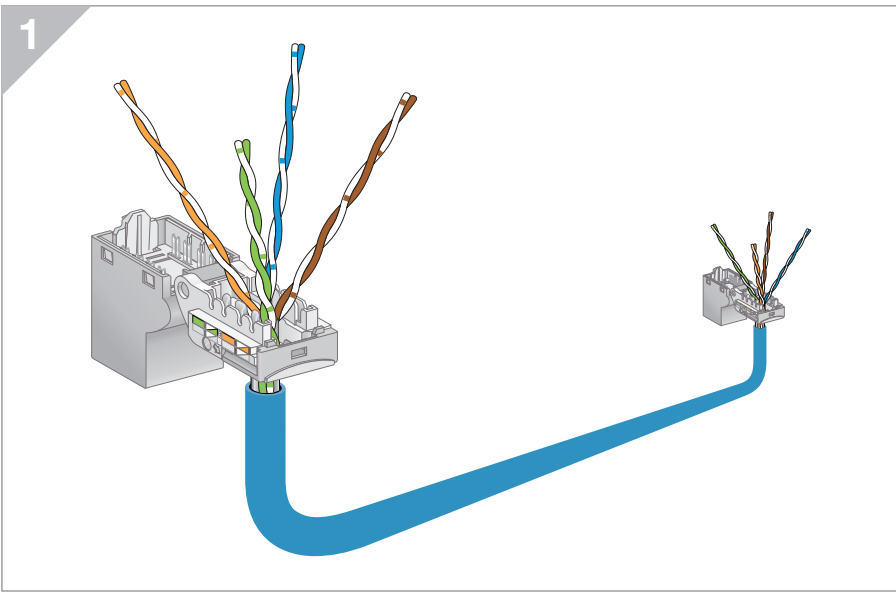
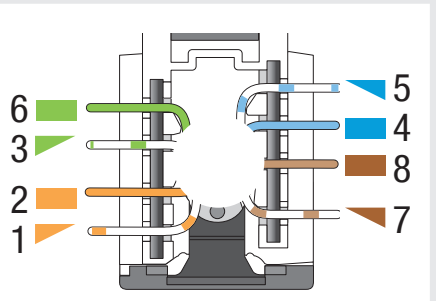


# Pairs crossing

## U/UTP

How to prepare a U/UTP cable 7 mm with EIA-TIA 568B to reach high performance

EIA-TIA 568B (100Ω)

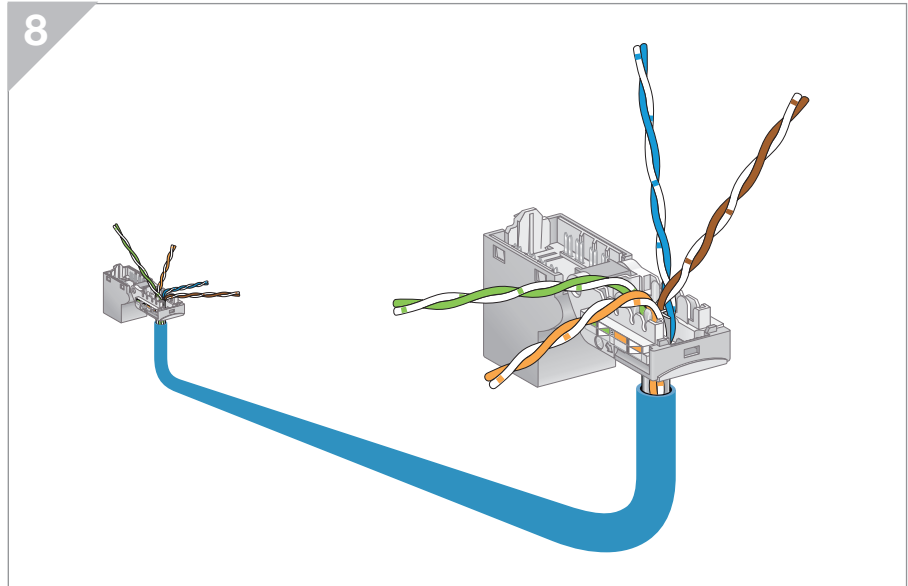
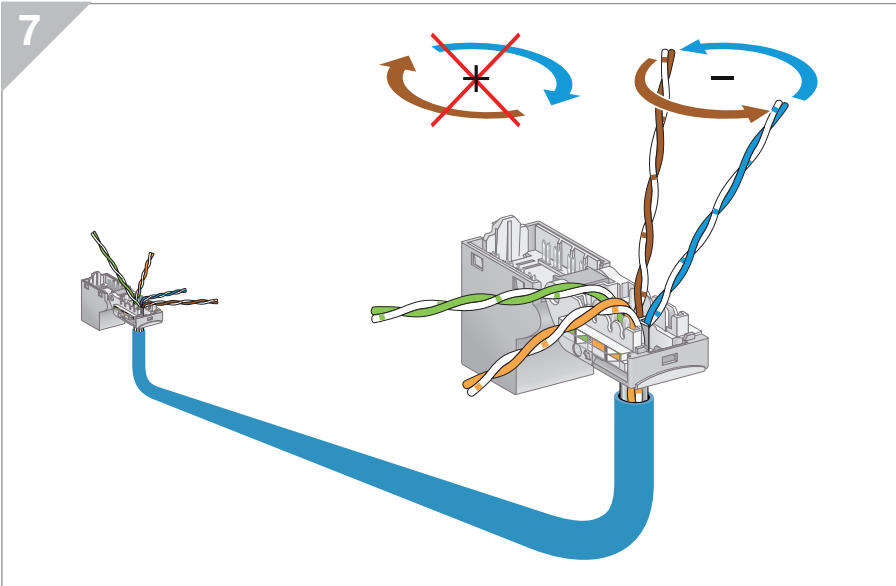
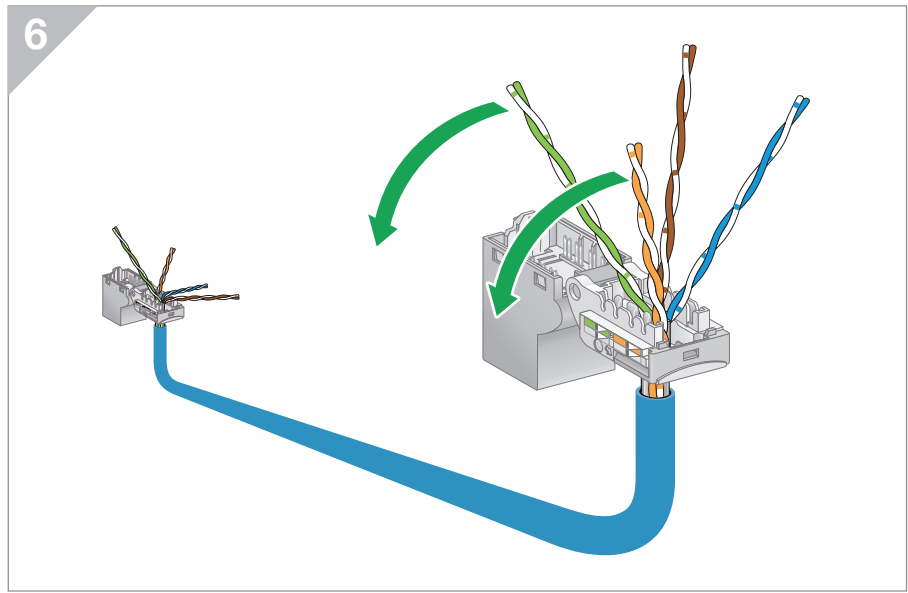
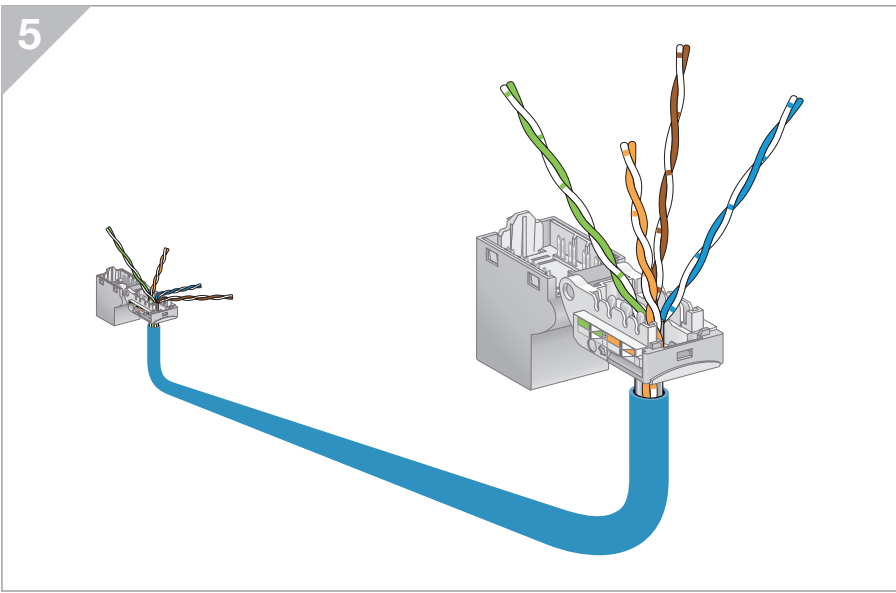
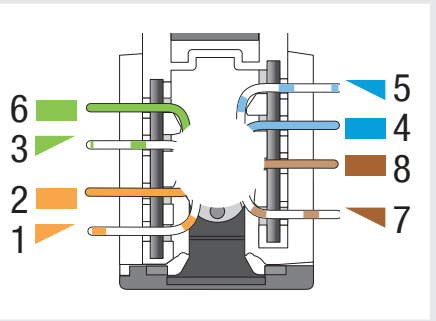


# Pairs crossing

## U/UTP

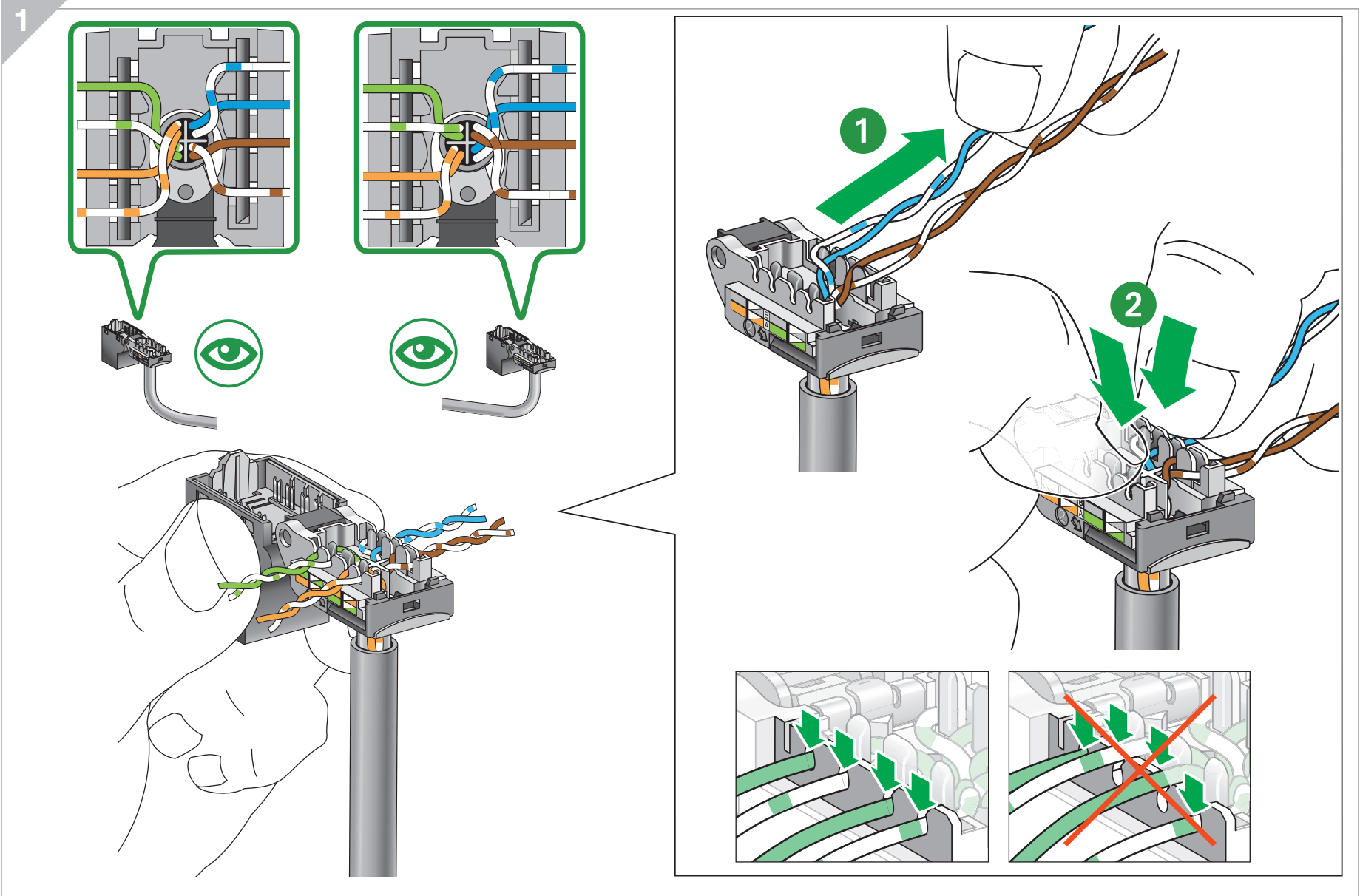
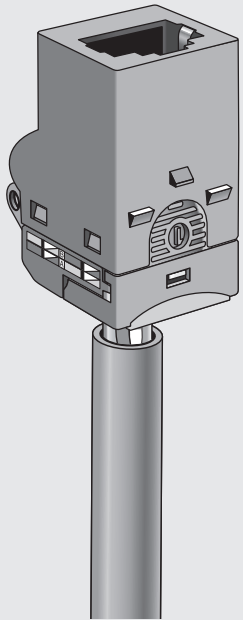
How to prepare a U/UTP cable 7 mm with EIA-TIA 568B to reach high performance

EIA-TIA 568B (100Ω)



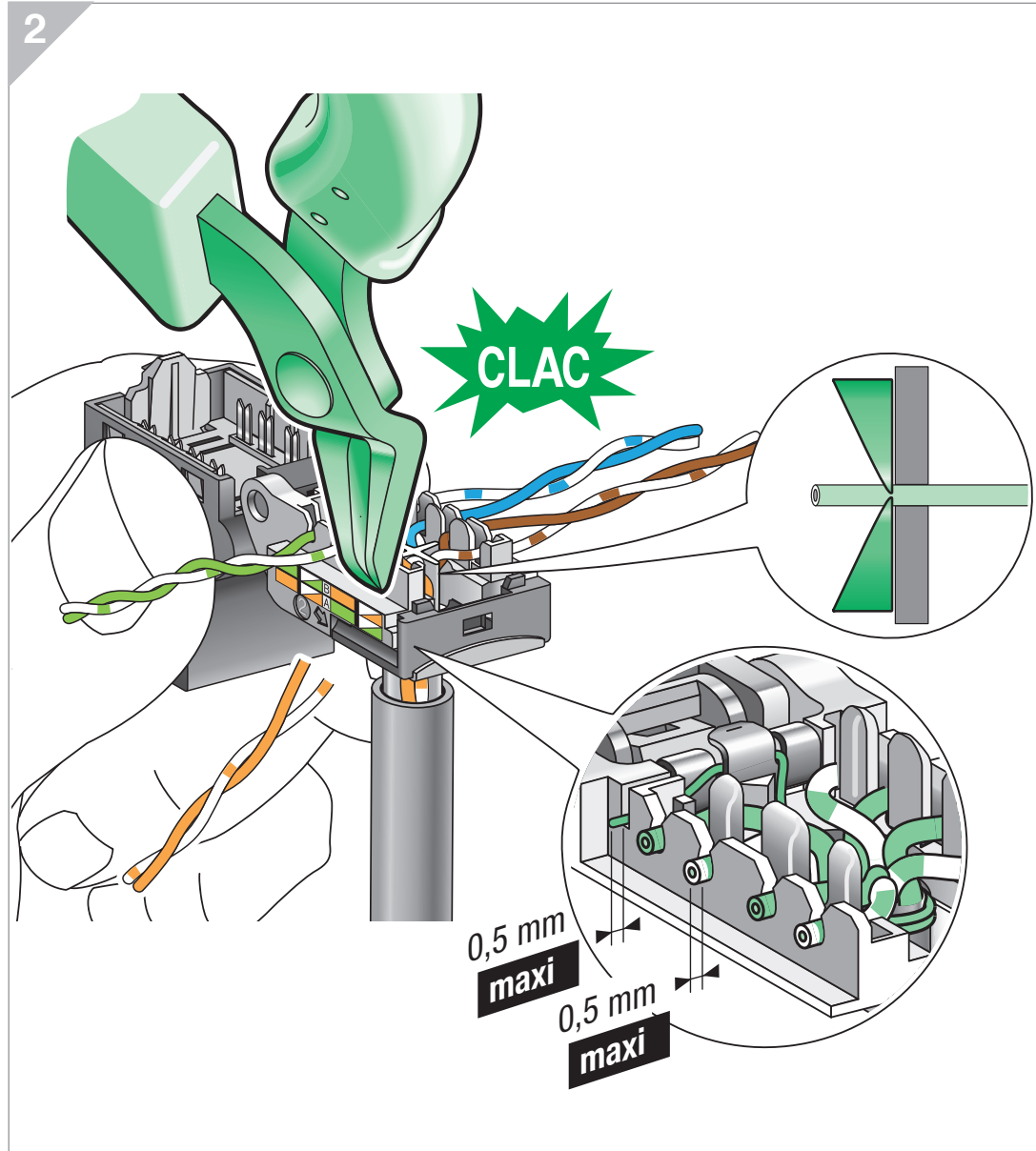
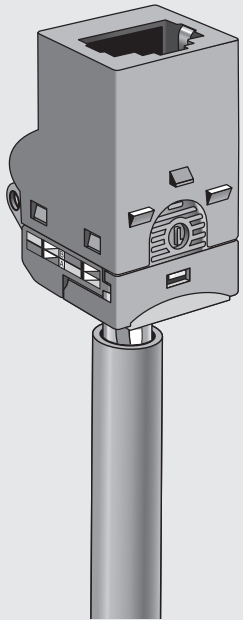
# Connector connection

U/UTP



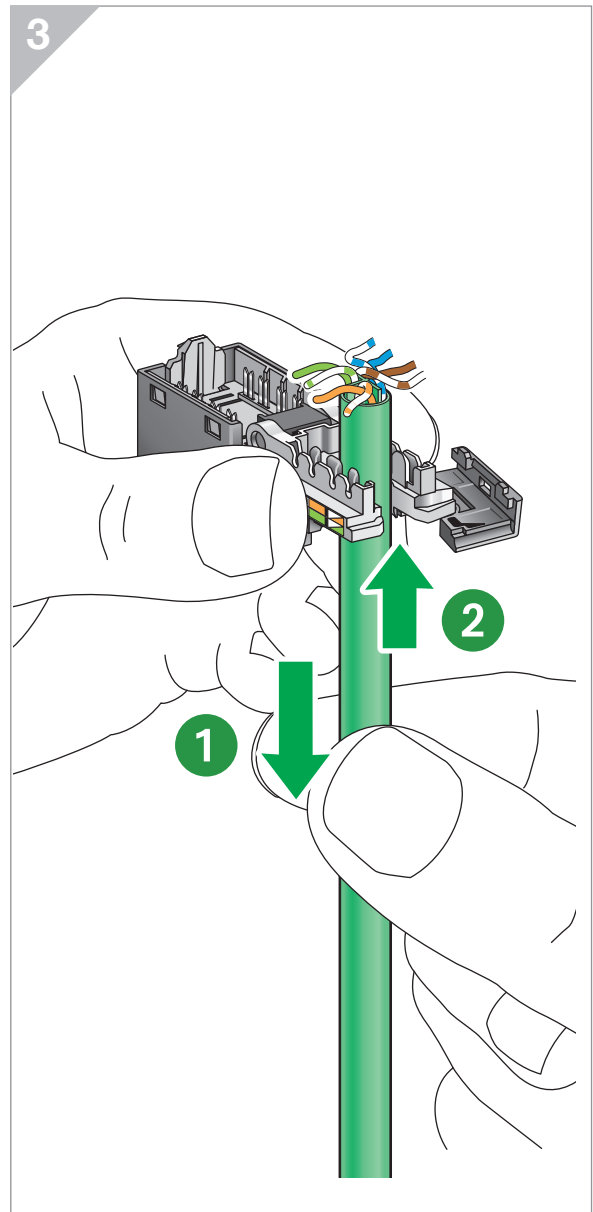
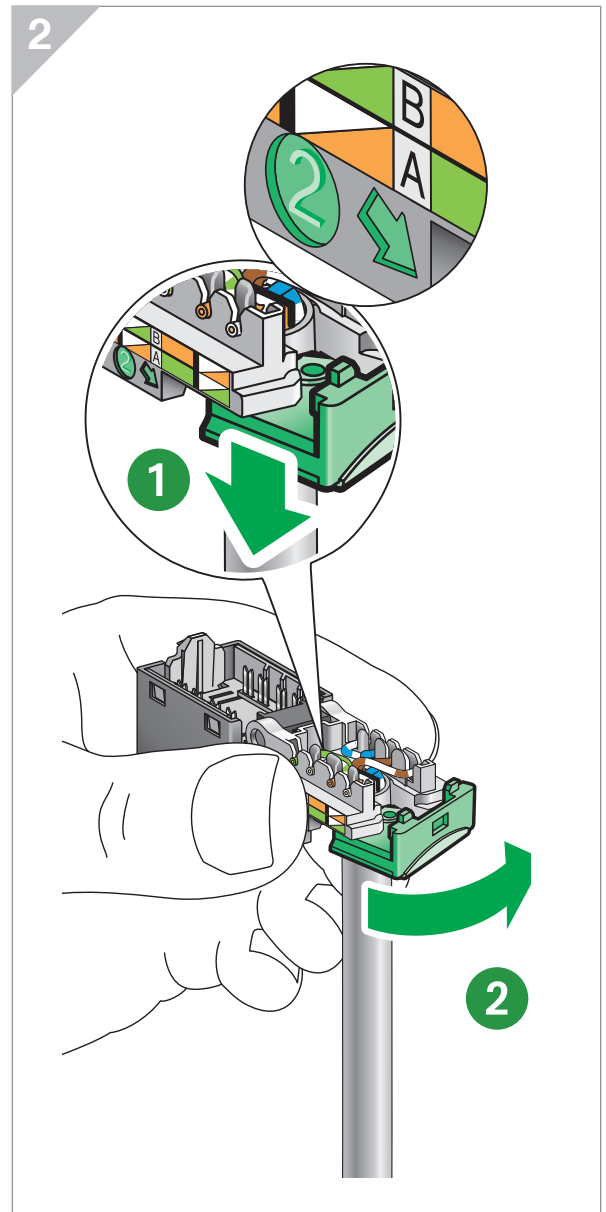
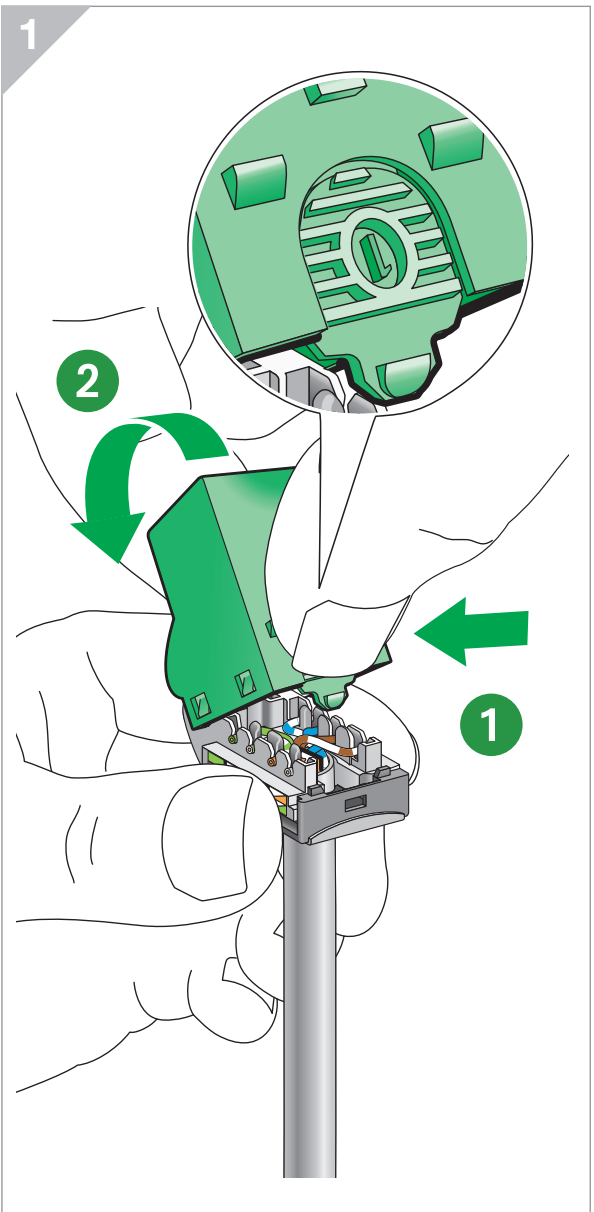
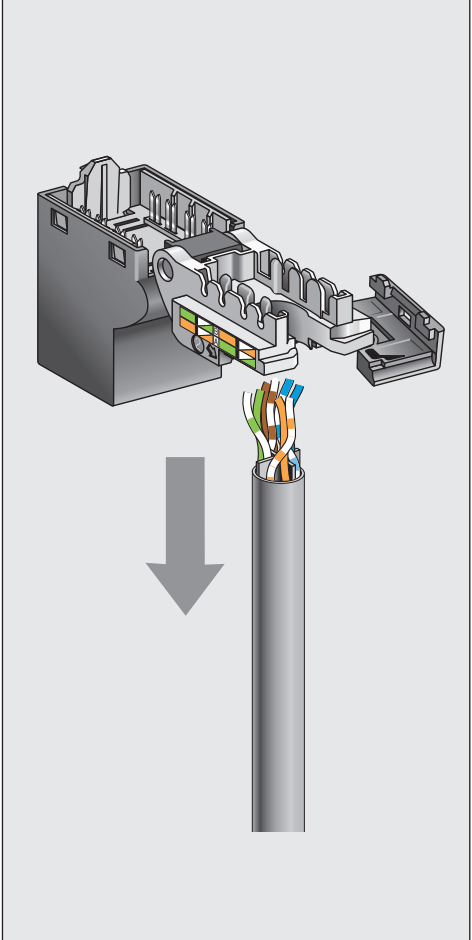
# Connector connection

U/UTP



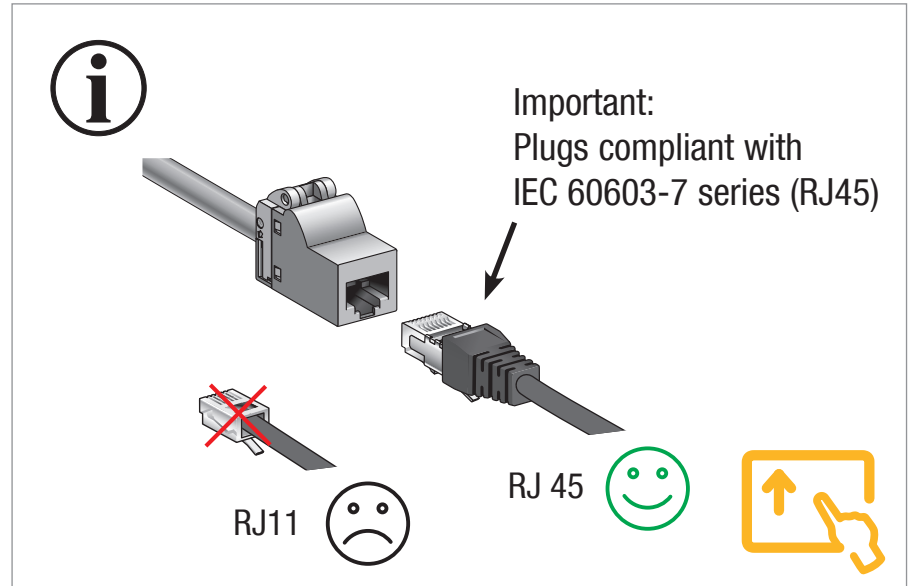
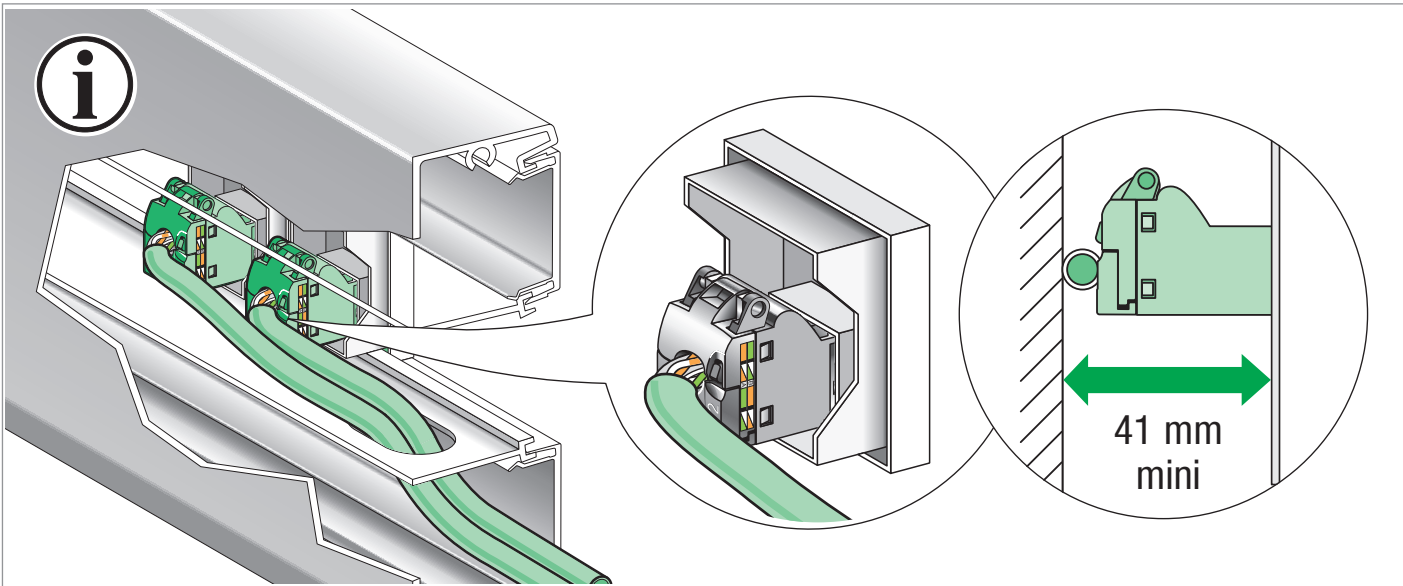
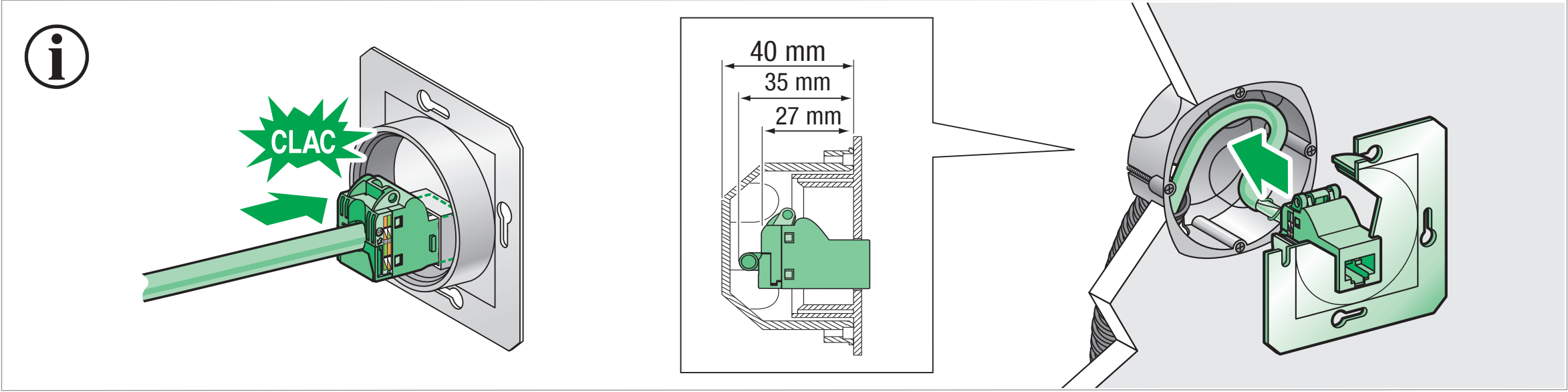
# Connector disconnection

## U/UTP





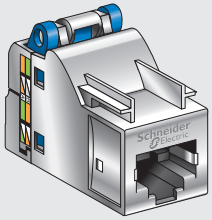
# ≡ Actassi S-One & S-One DPM Unshielded connectors - U/UTP cable 7 mm



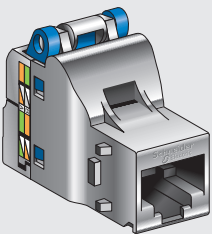
# Composition

## Shielded connector

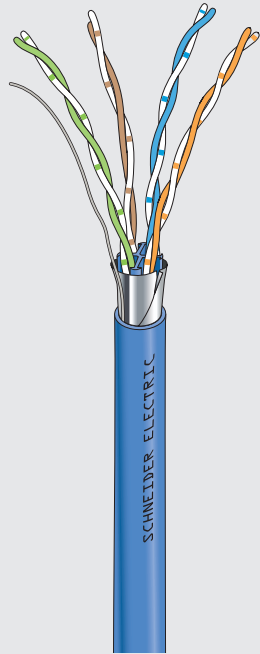
S-One



S-One DPM

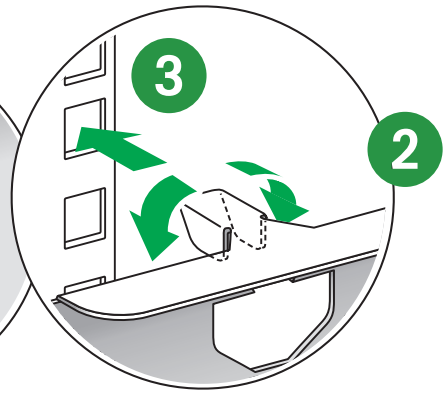
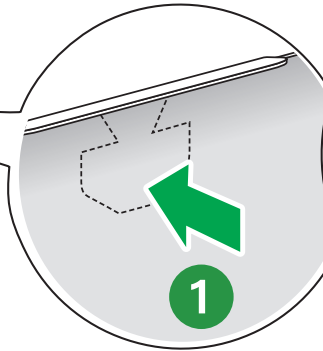
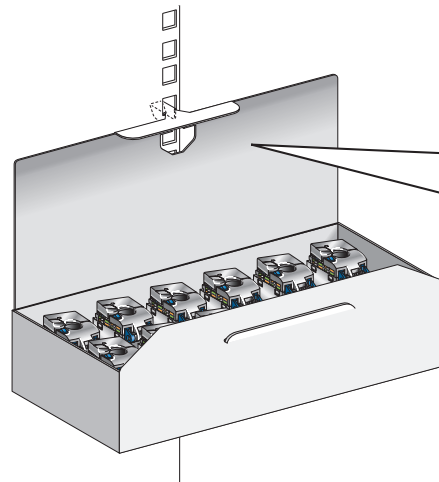
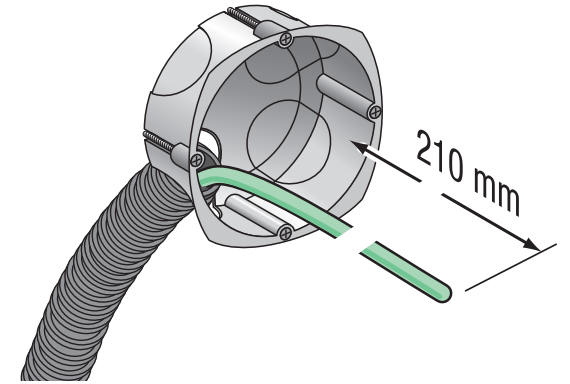


## F/UTP



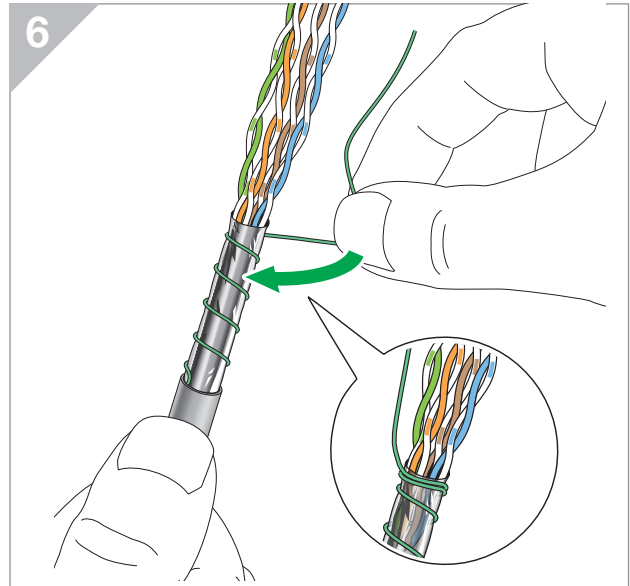
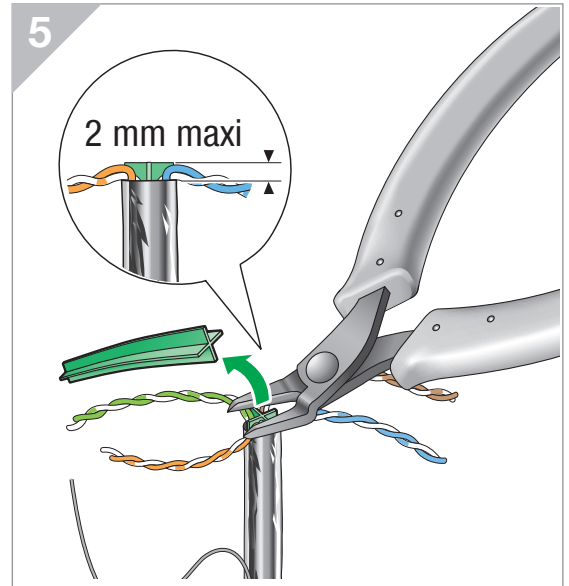
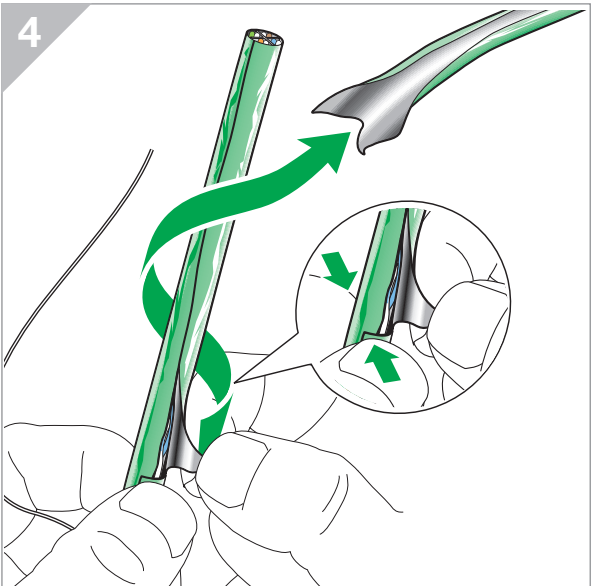
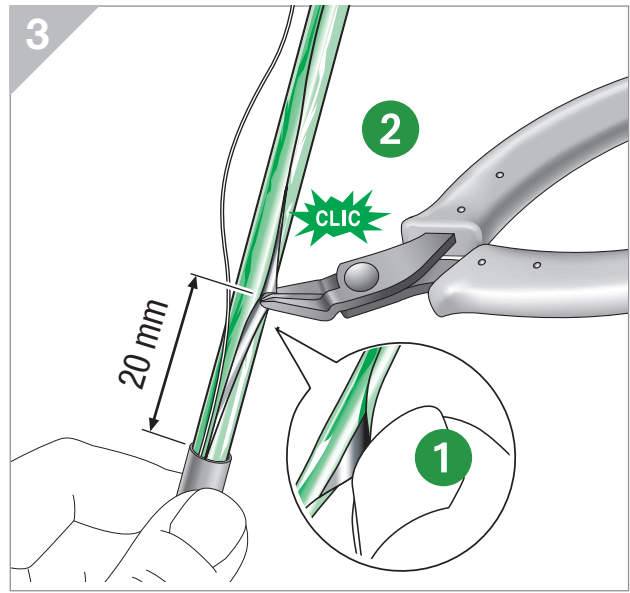
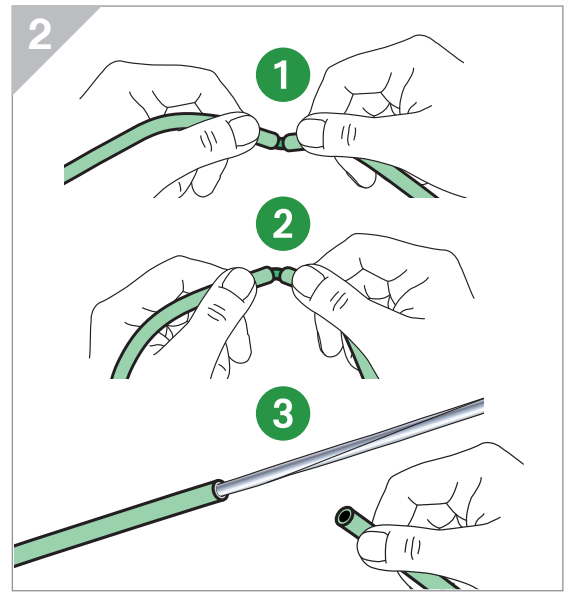
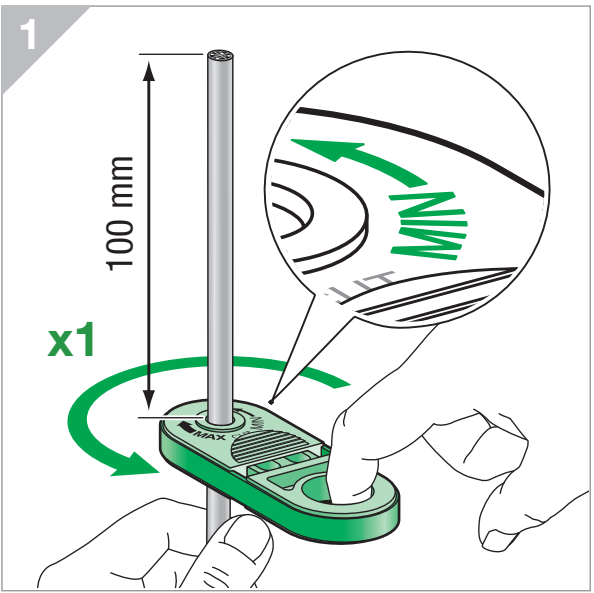
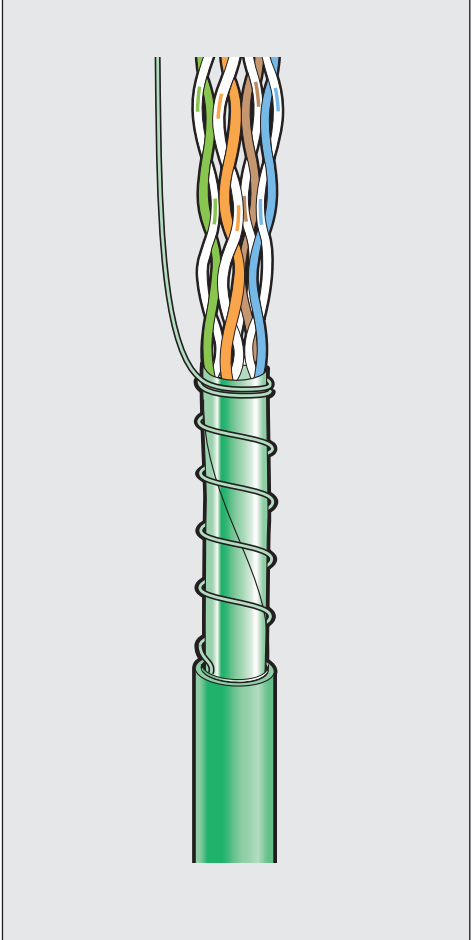
VDIR580020

x1



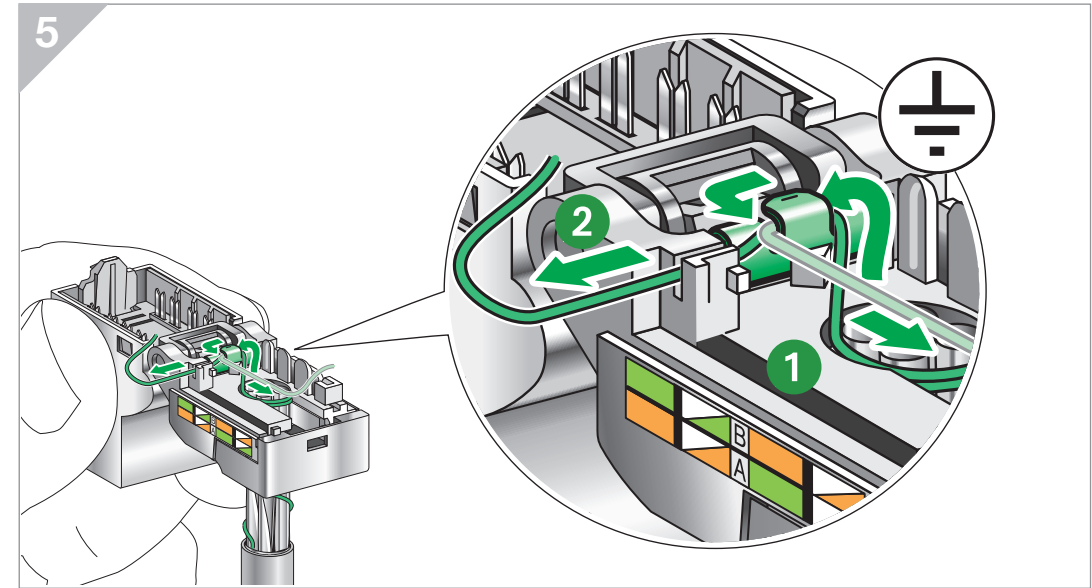
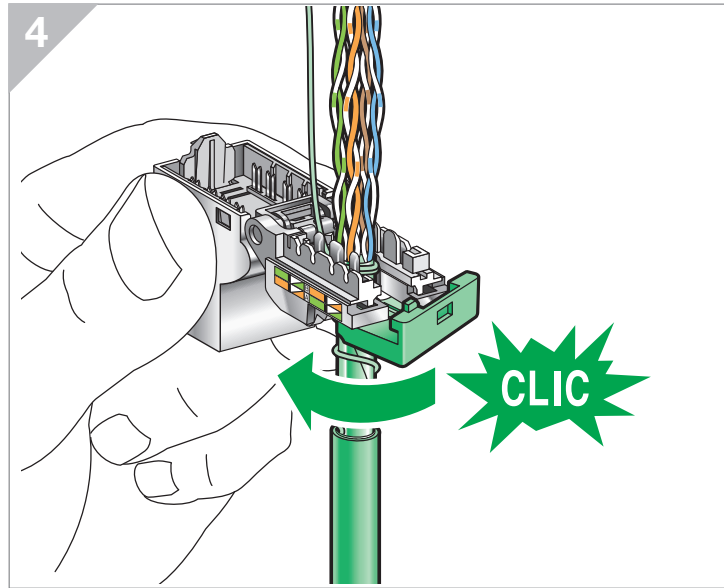
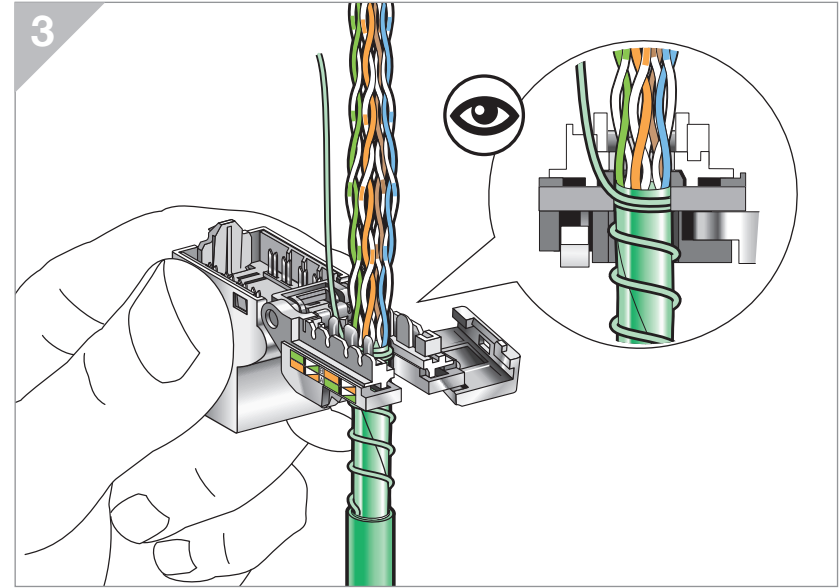
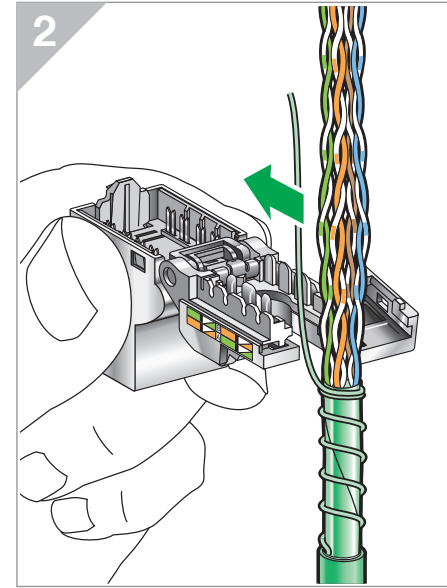
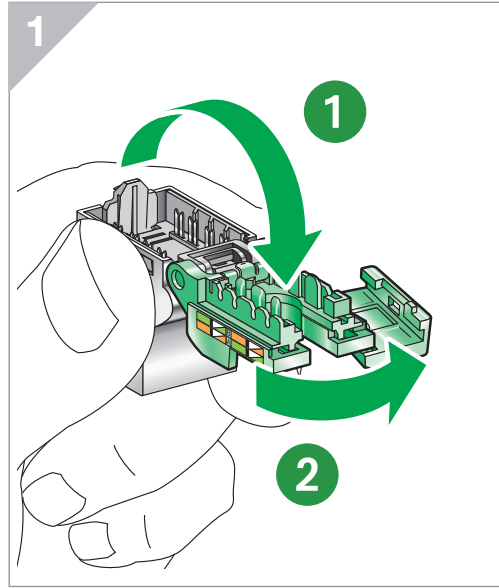
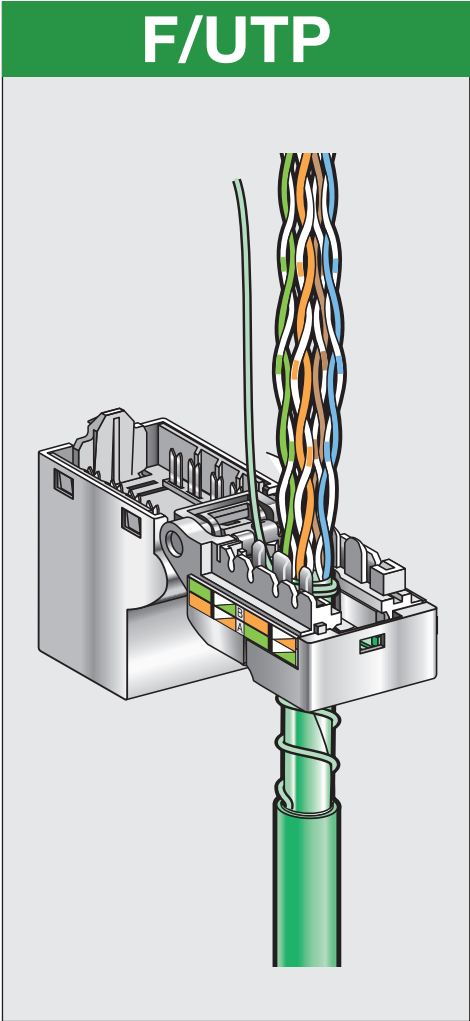
# Cable preparation

## F/UTP



# Connector wiring

F/UTP

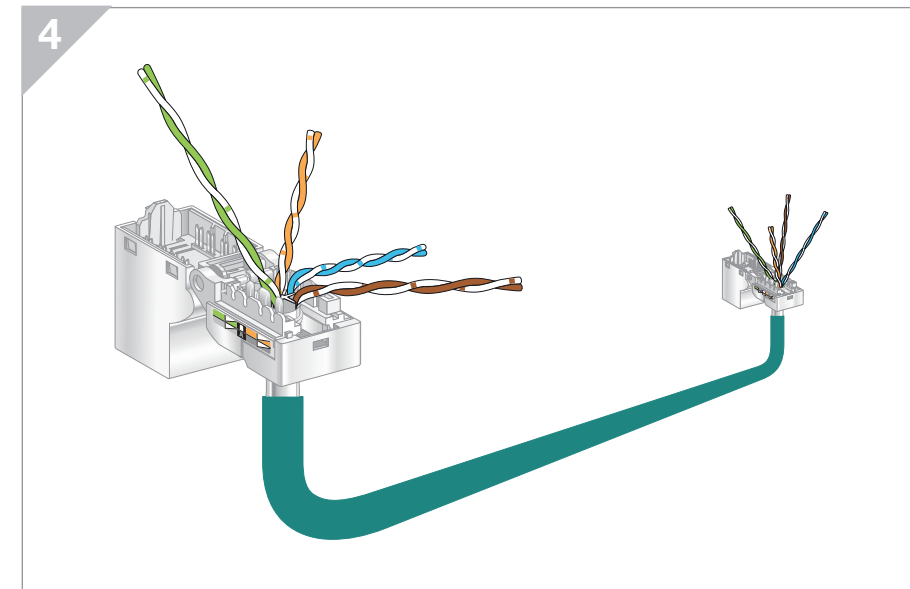
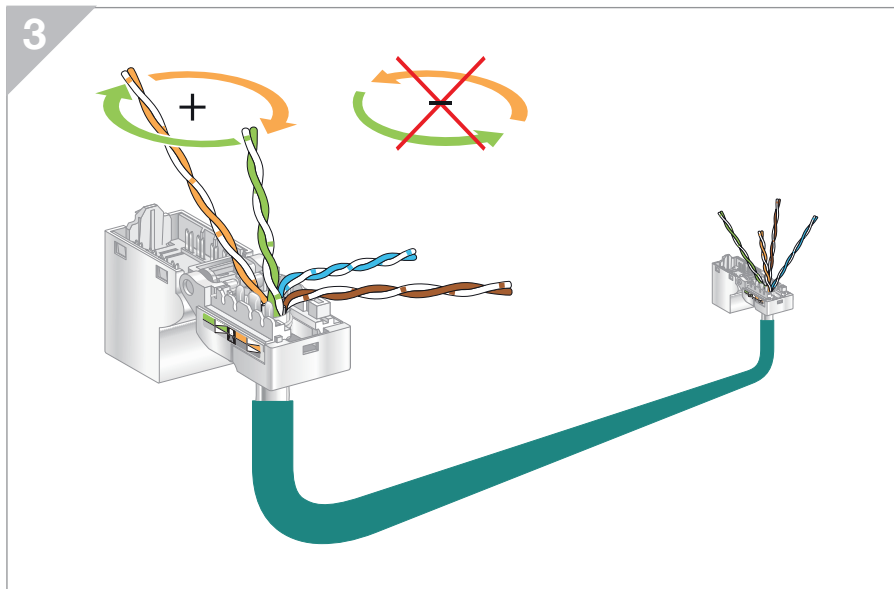
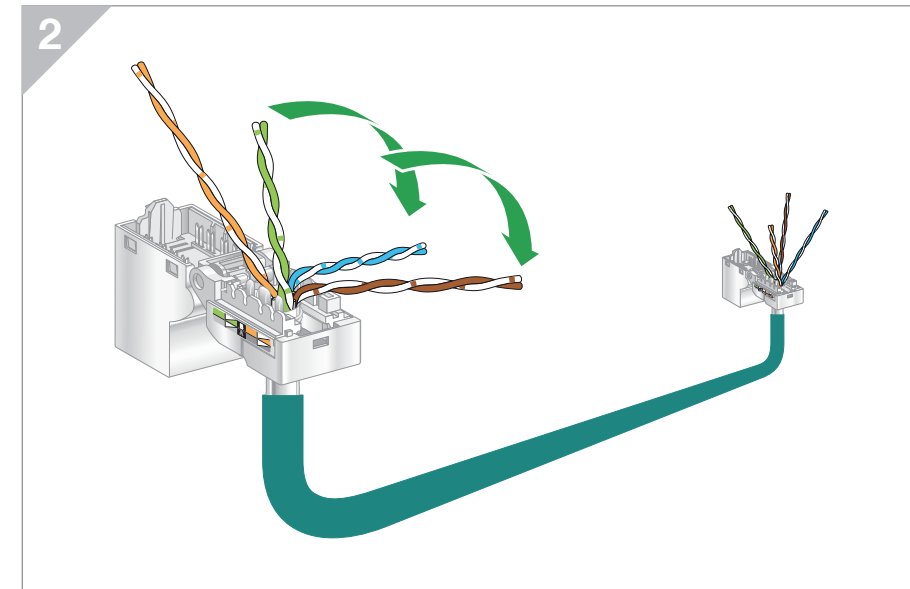
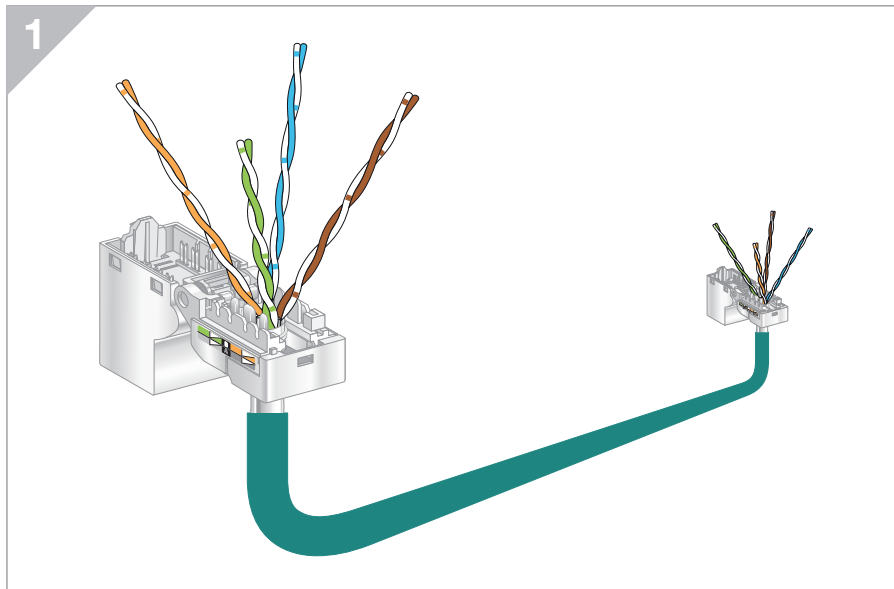
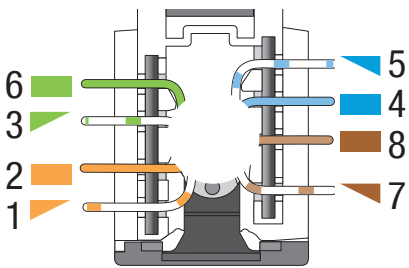


# Pairs crossing

## F/UTP

How to prepare a F/UTP cable with EIA-TIA 568B to reach high performance

EIA-TIA 568B (100Ω)

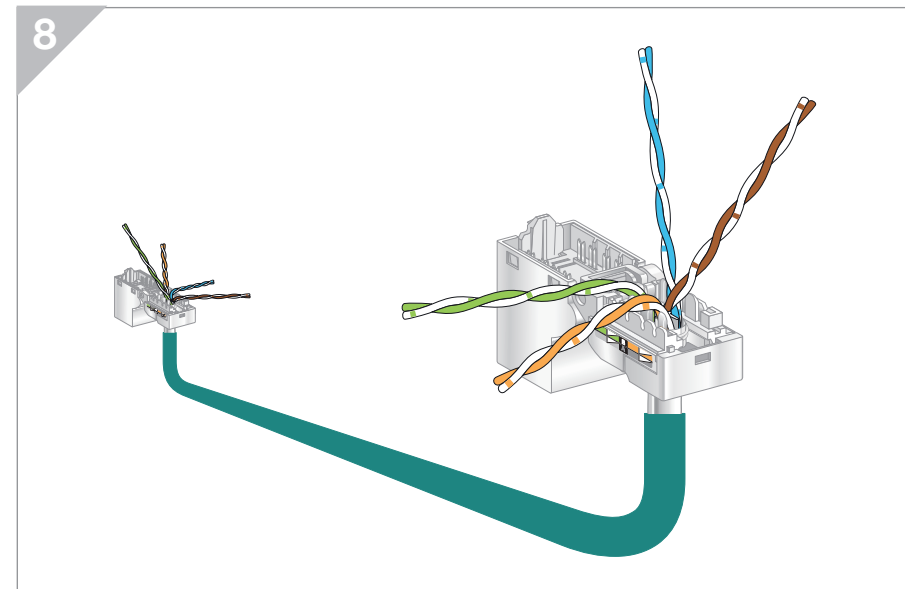
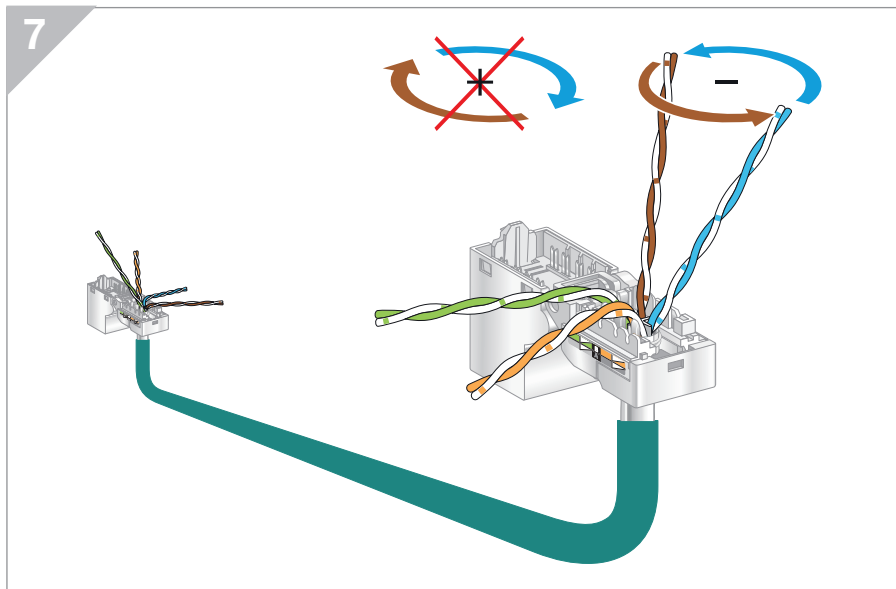
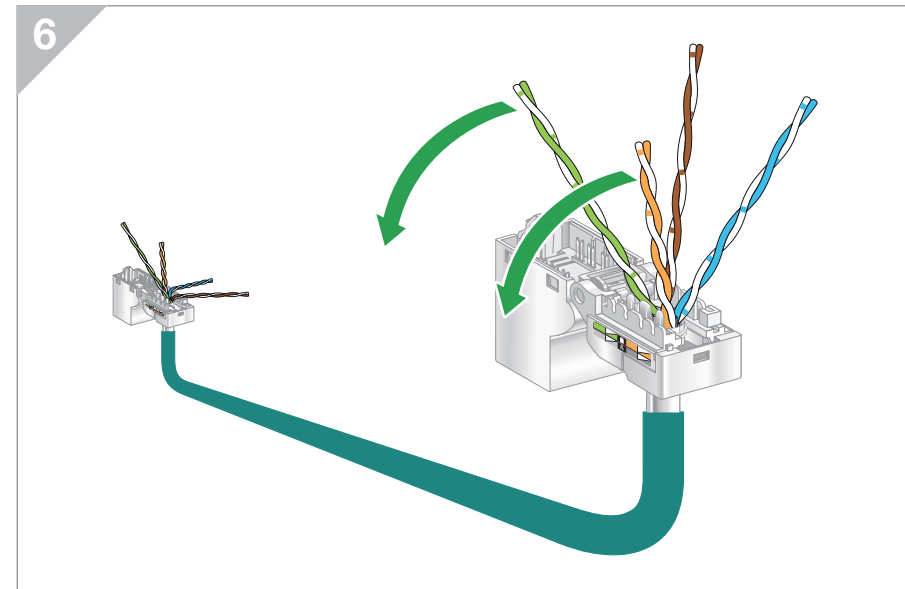
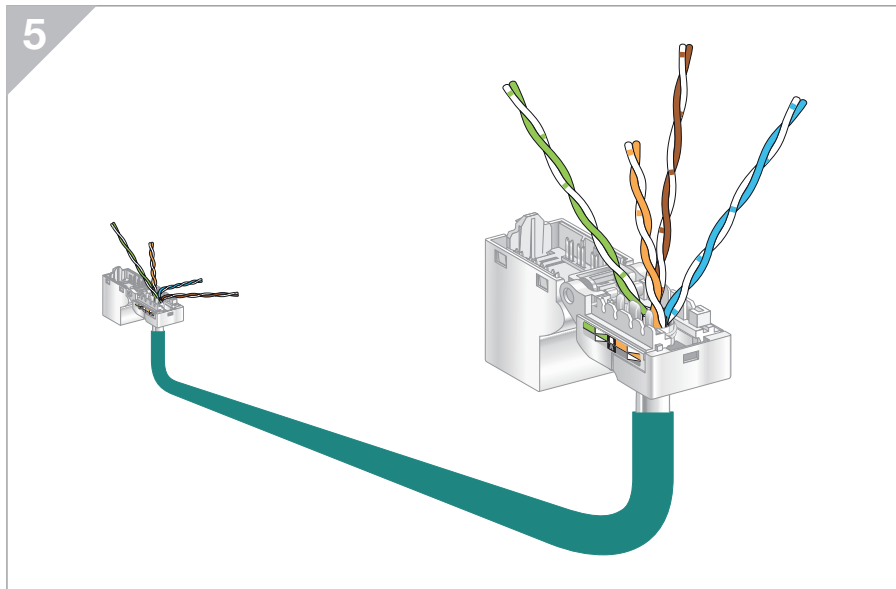
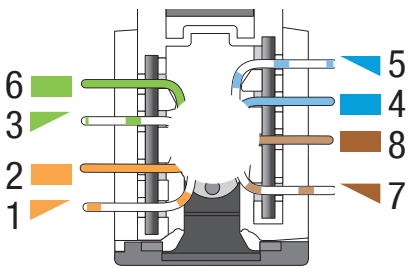


# Pairs crossing

## F/UTP

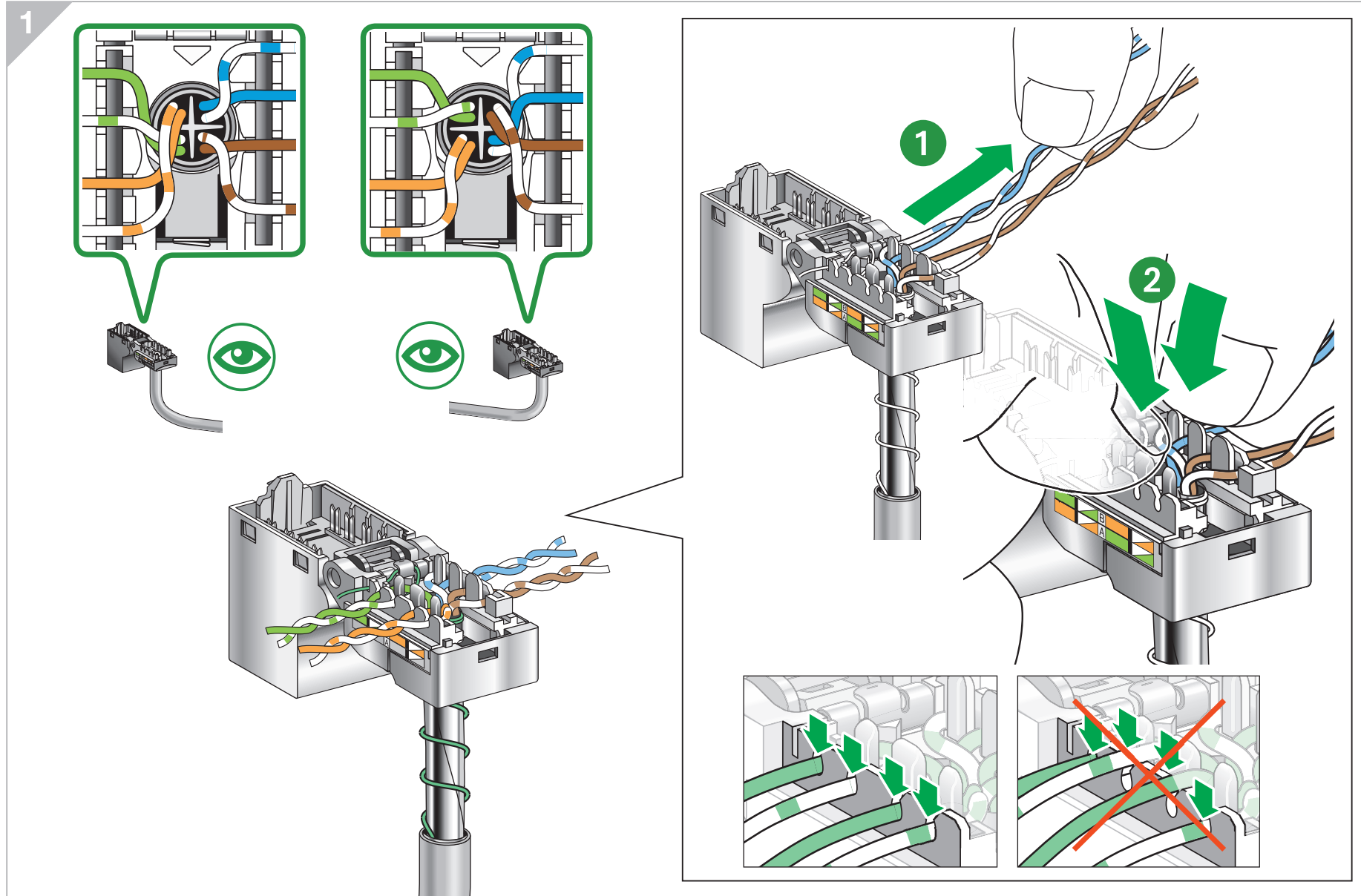
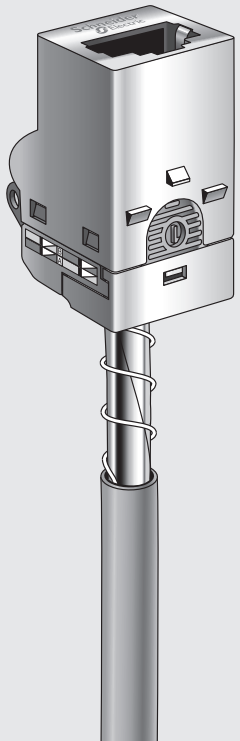
How to prepare a F/UTP cable with EIA-TIA 568B to reach high performance

EIA-TIA 568B (100Ω)



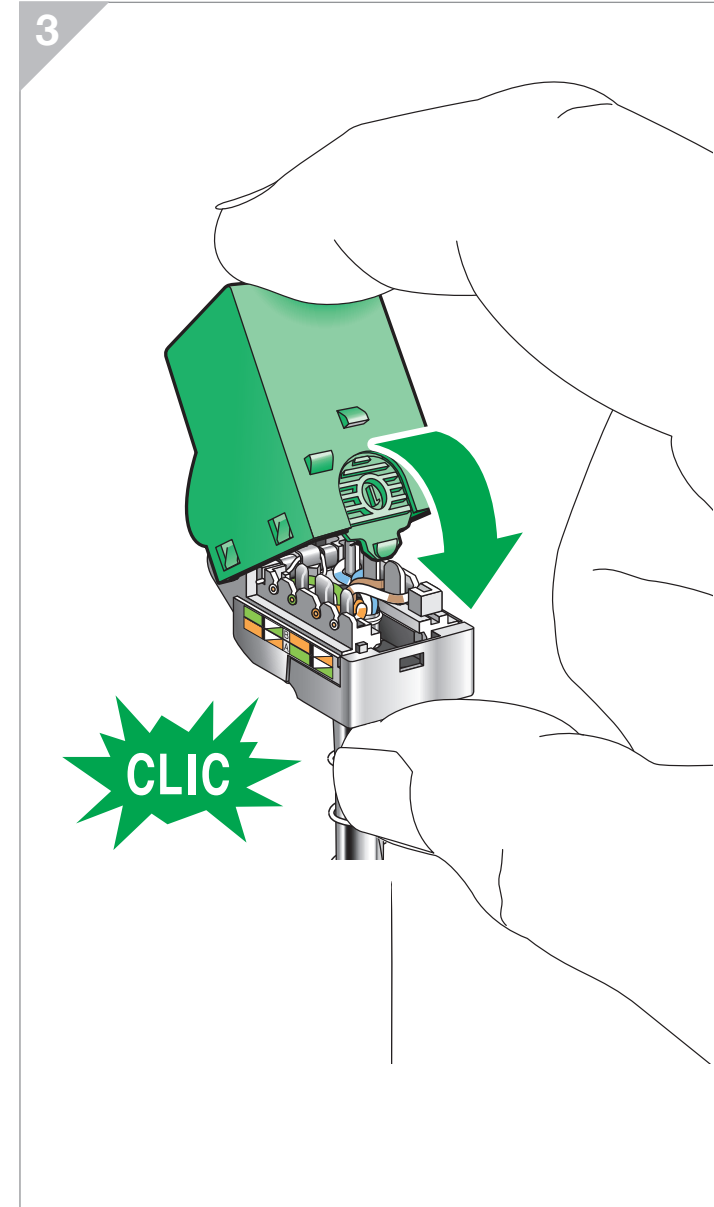
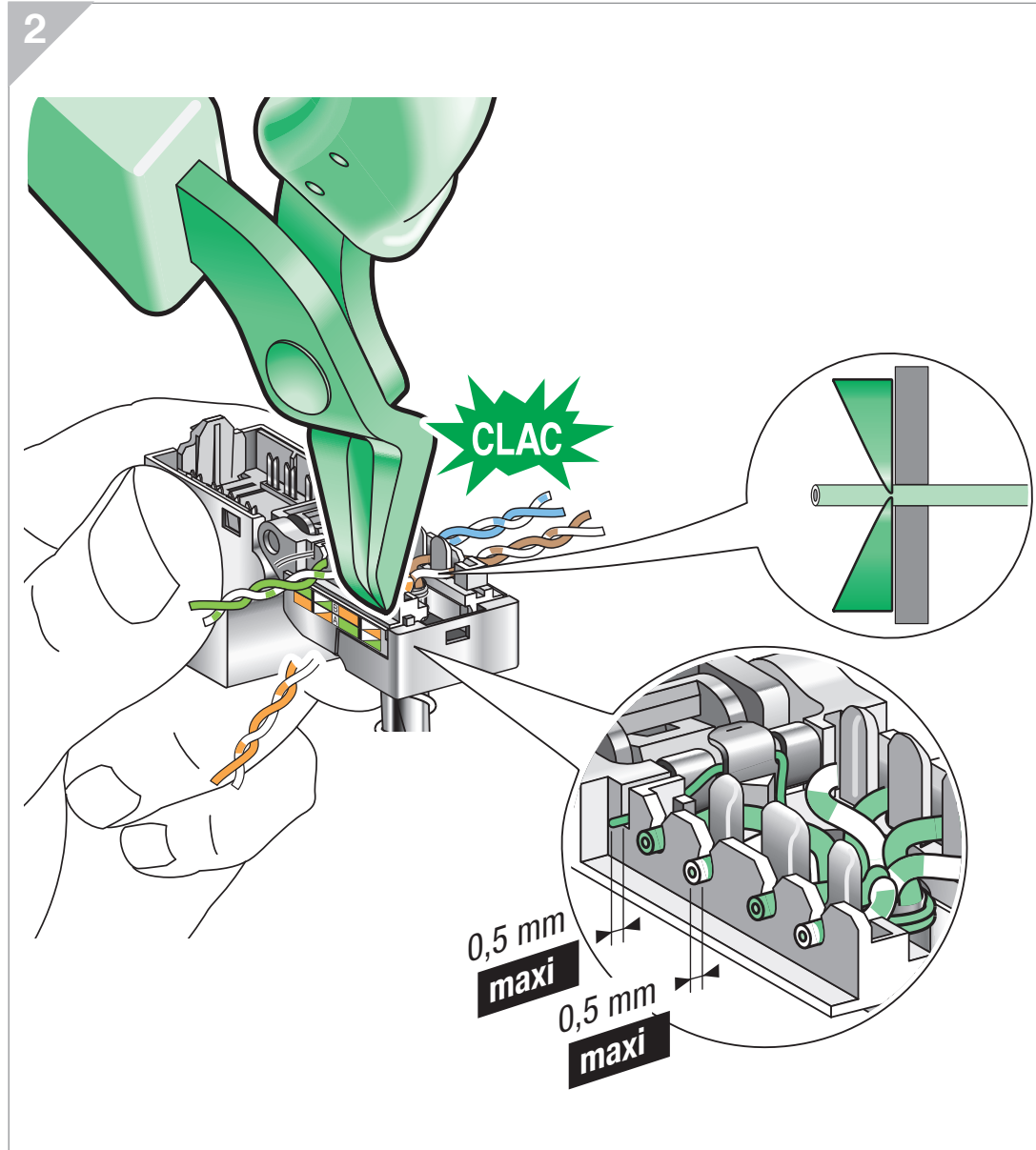
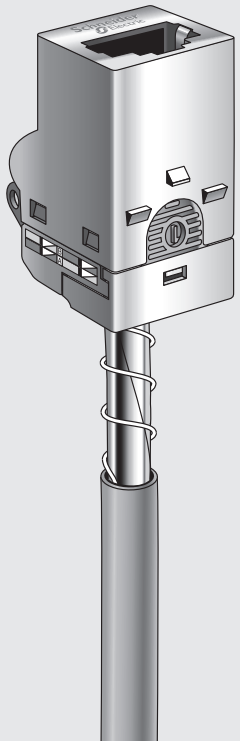
# Connector connection

F/UTP



# Connector connection

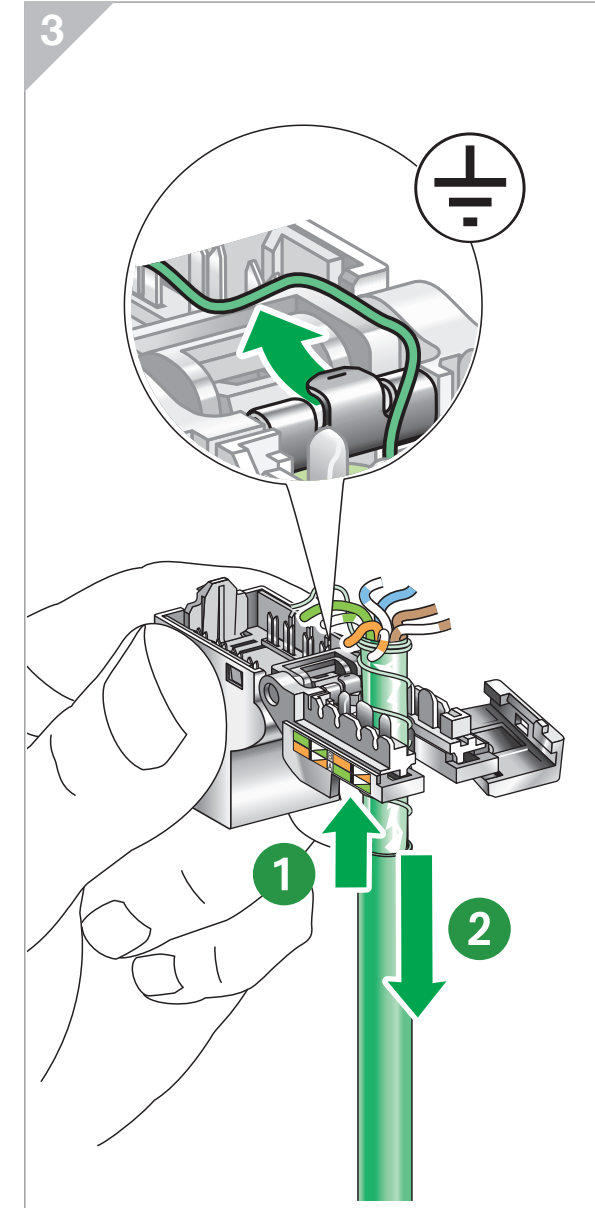
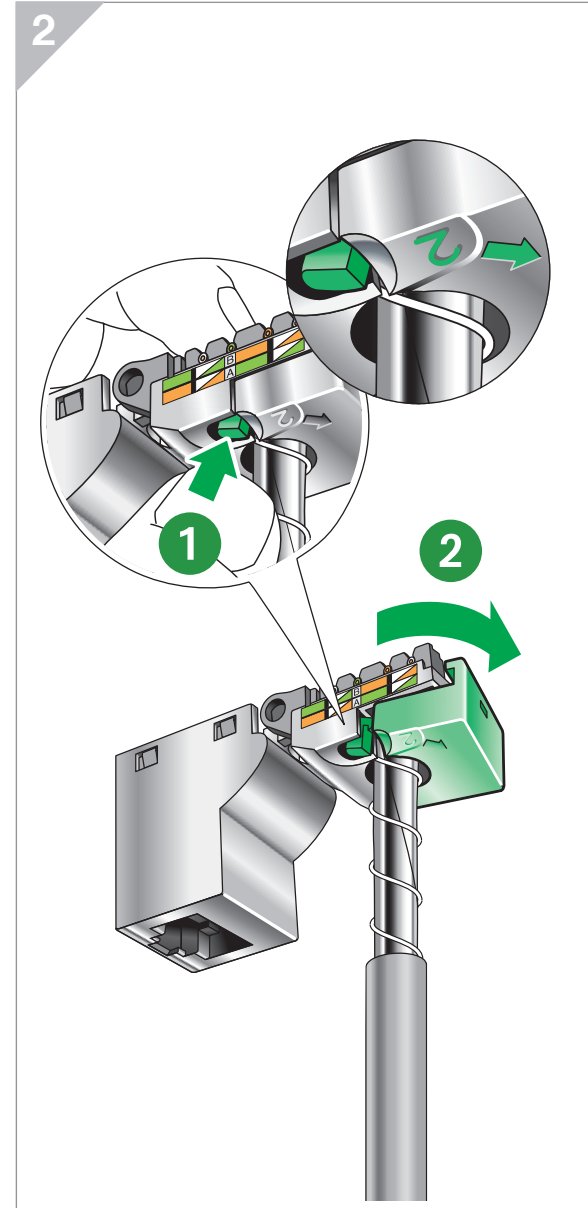
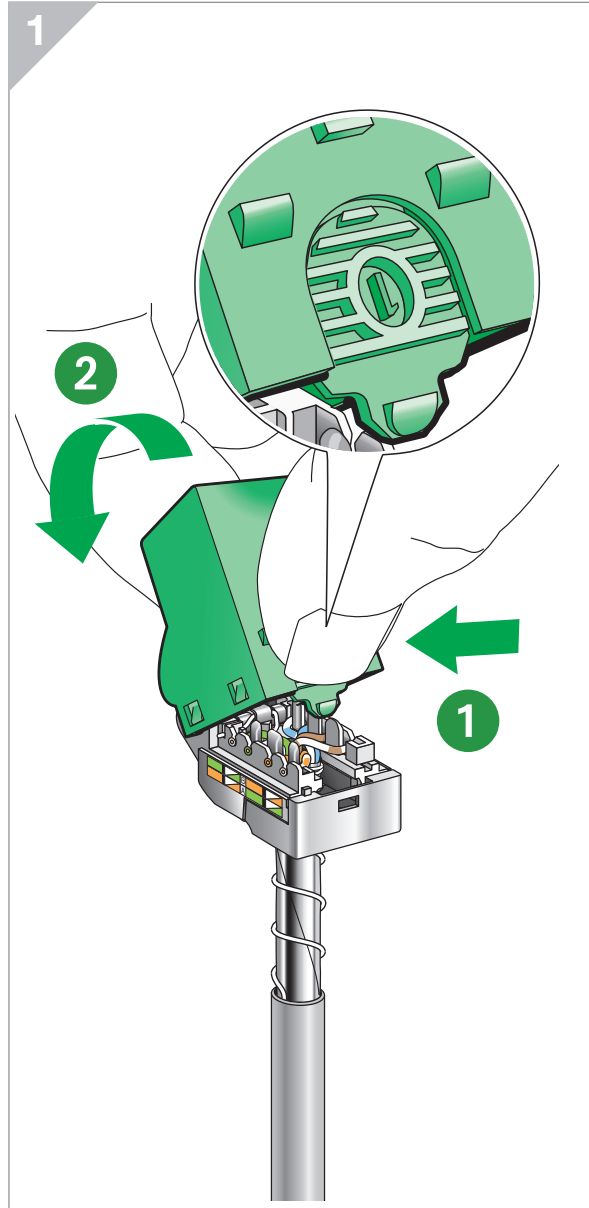
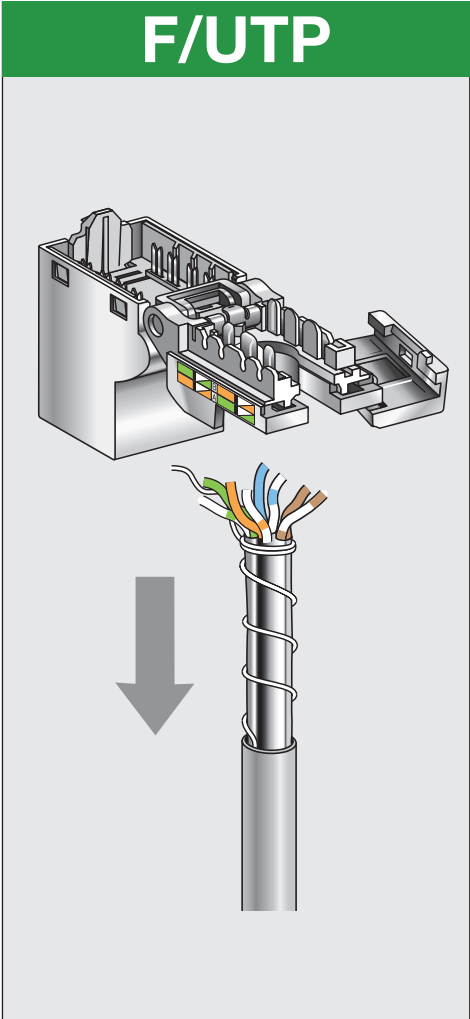
F/UTP



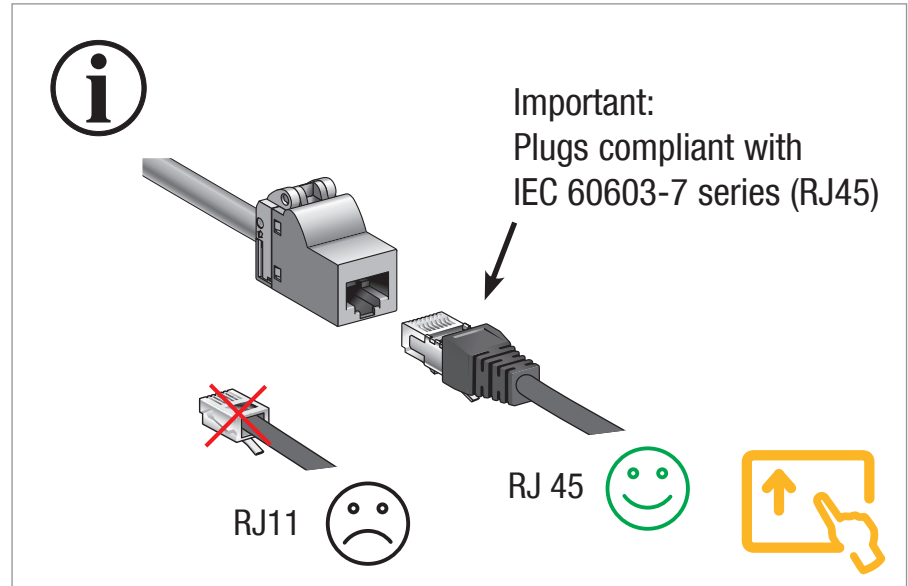
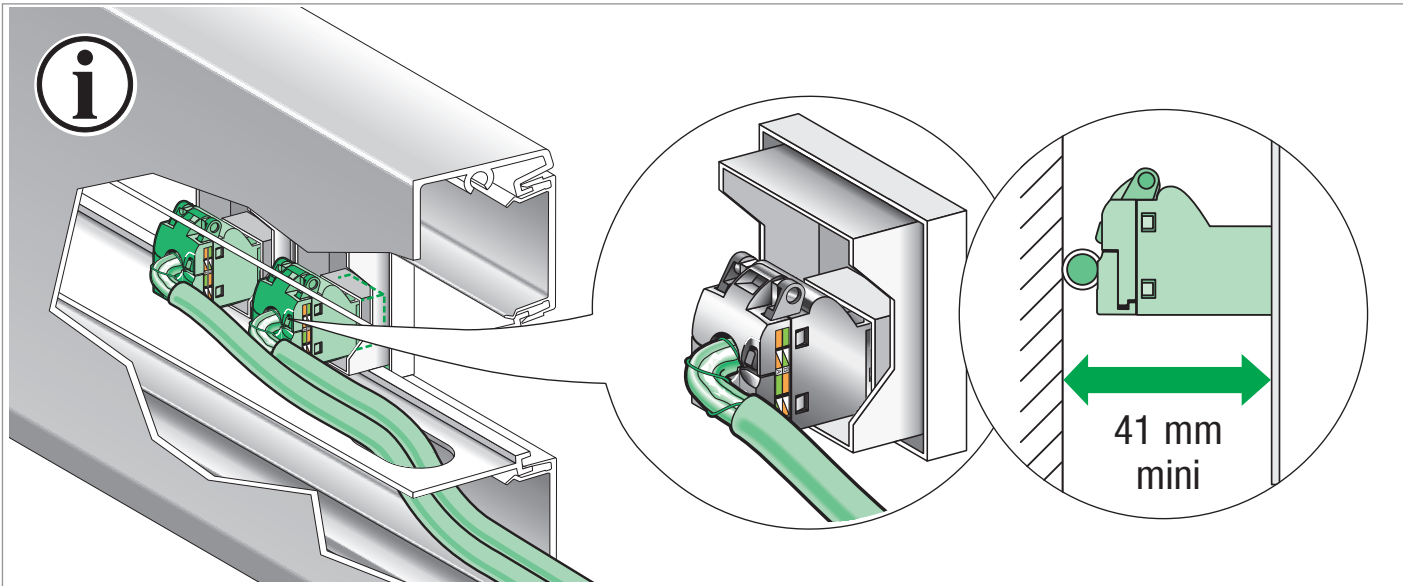
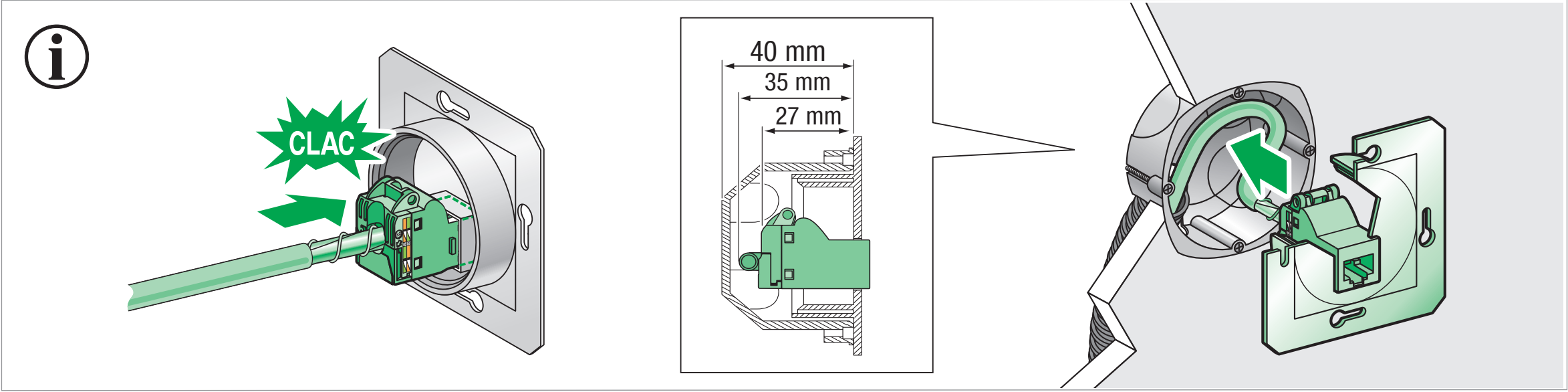


# Connector disconnection

F/UTP



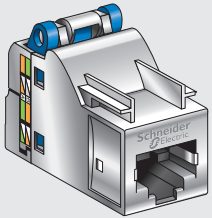
# ≡ Actassi S-One & S-One DPM shielded connectors - F/UTP cable



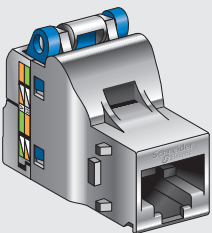
# Composition

## Shielded connector

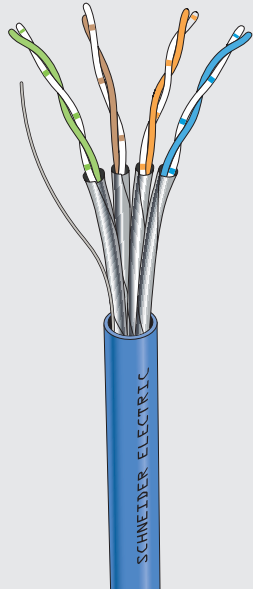
S-One



S-One DPM

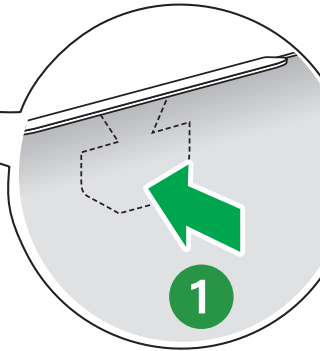
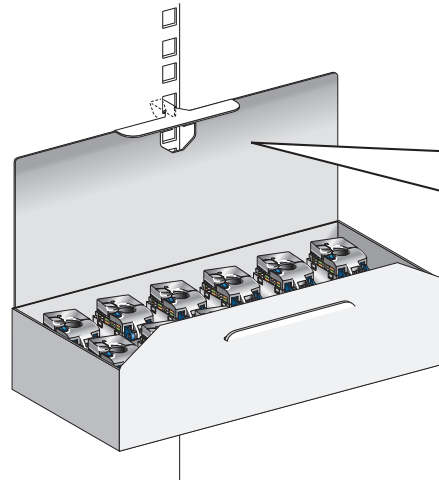
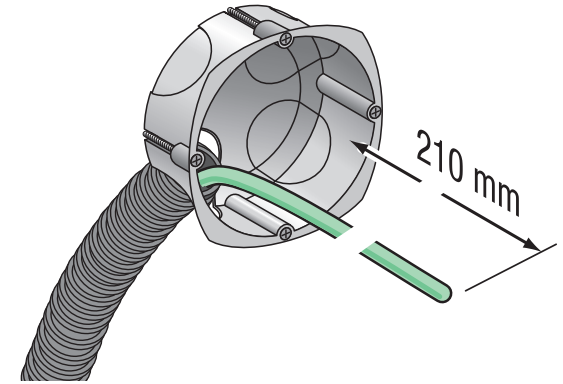


## U/FTP



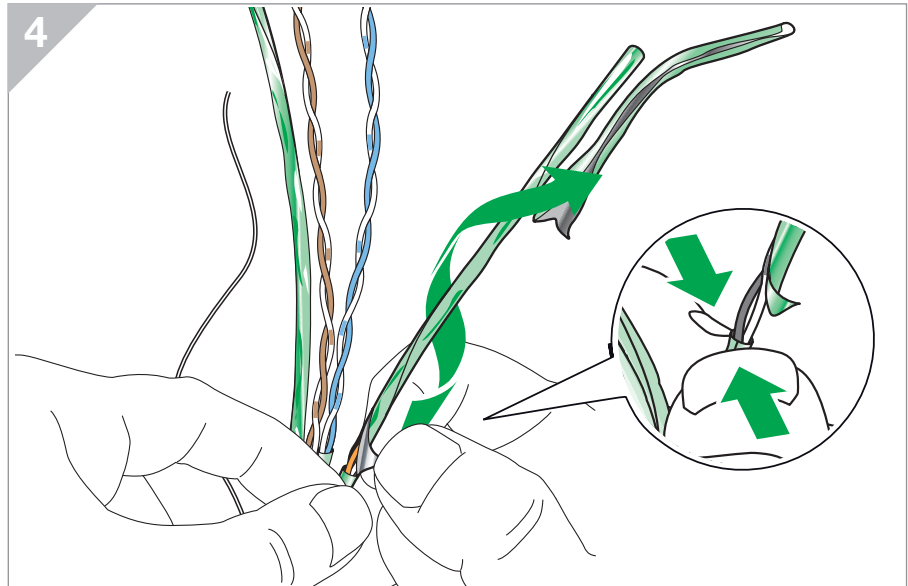
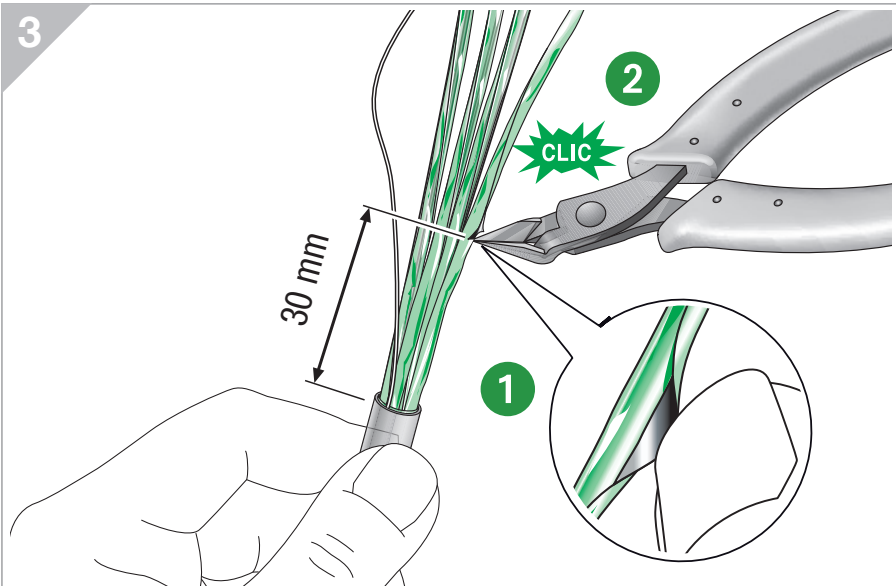
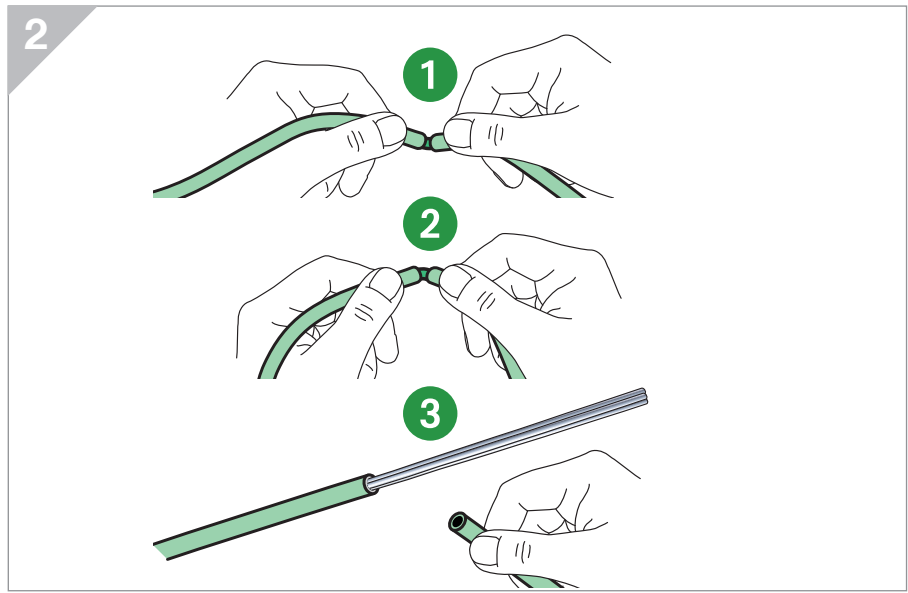
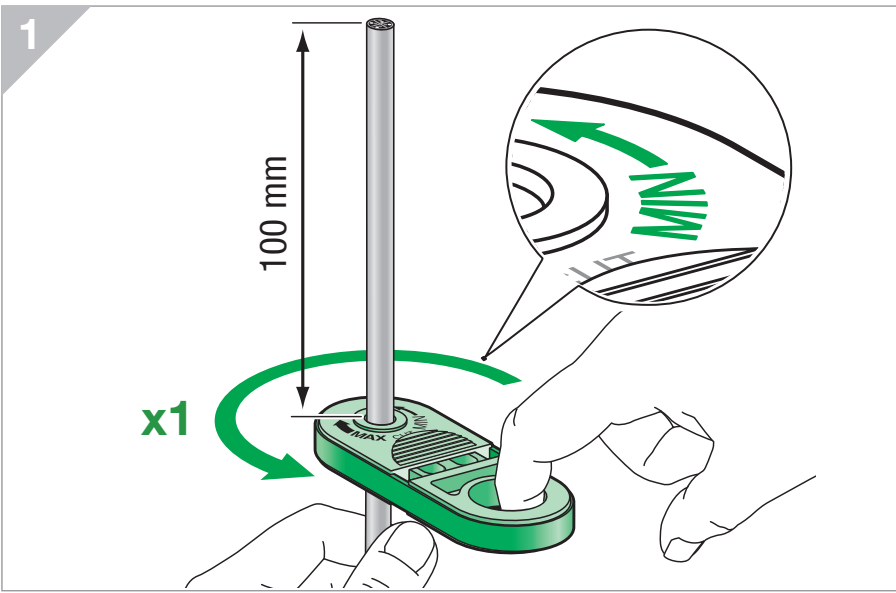
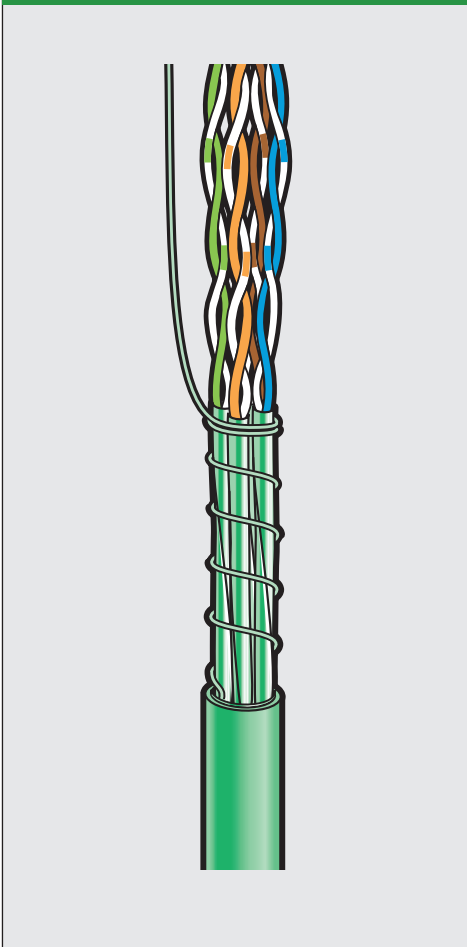
VDIR580020

x1



# Cable preparation

## U/FTP

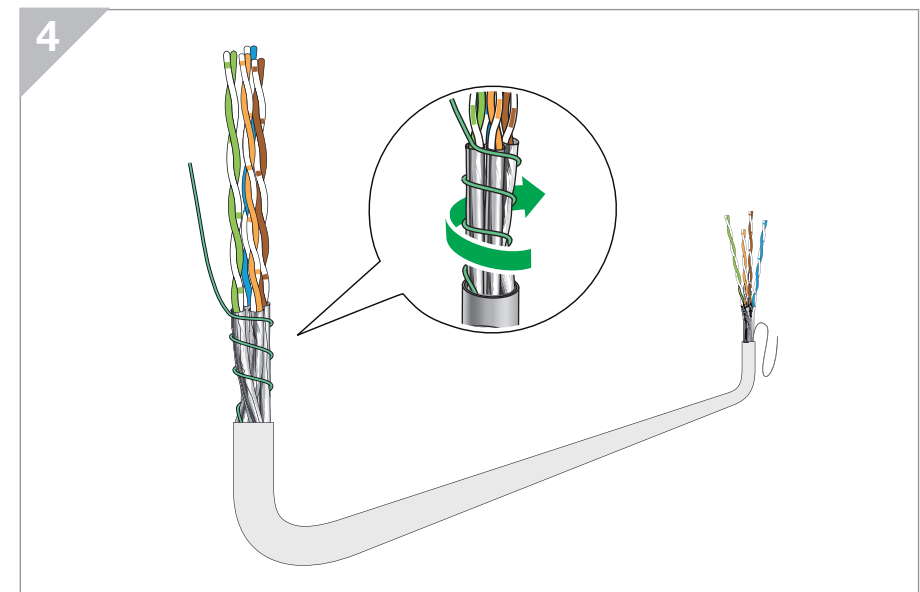
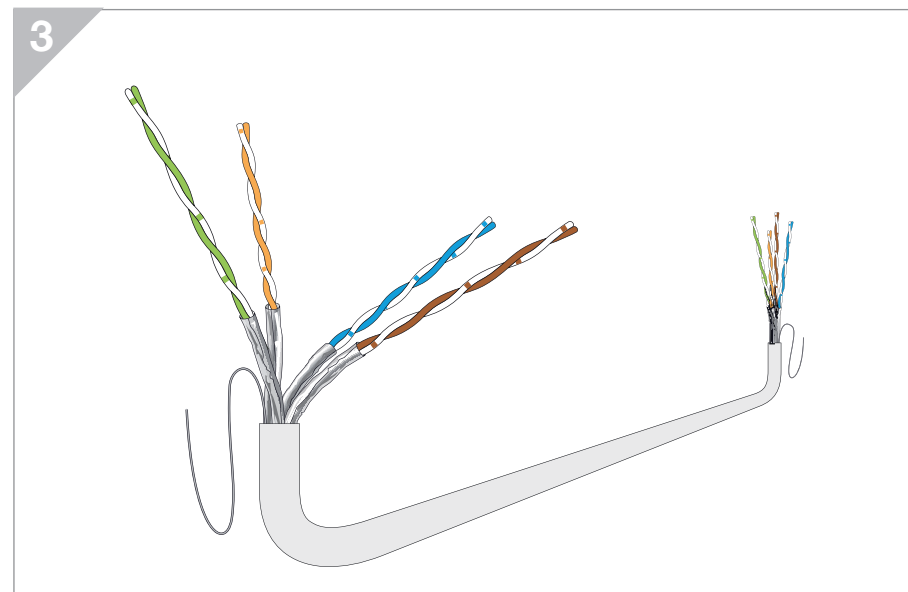
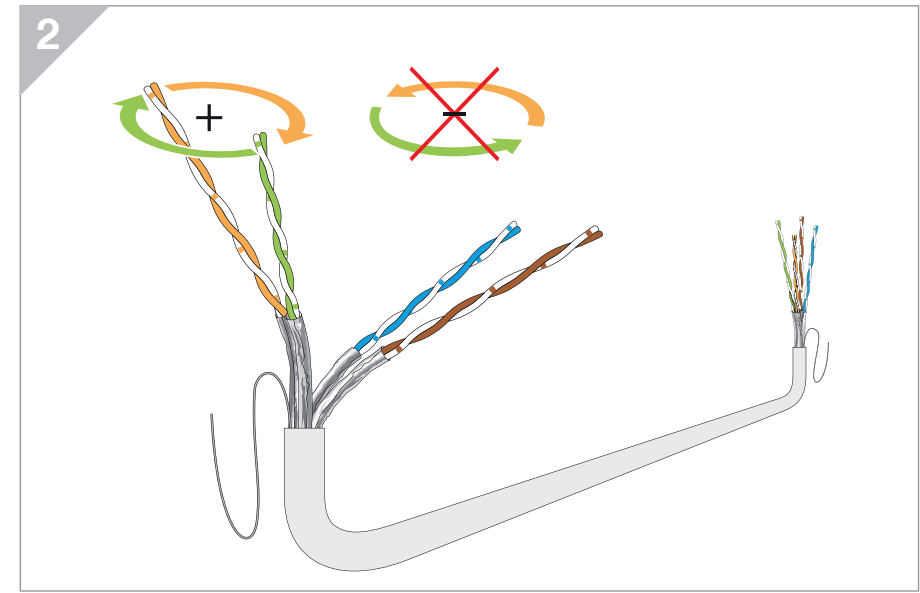
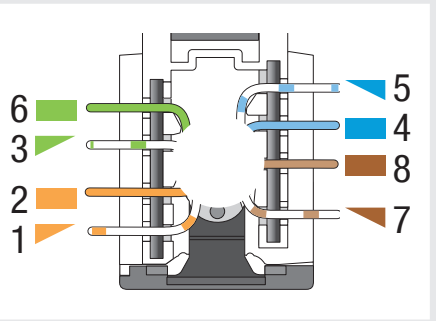


# Pairs crossing

## U/FTP

How to prepare a U/FTP cable with EIA-TIA 568B to reach high performance

### EIA-TIA 568B (100Ω)

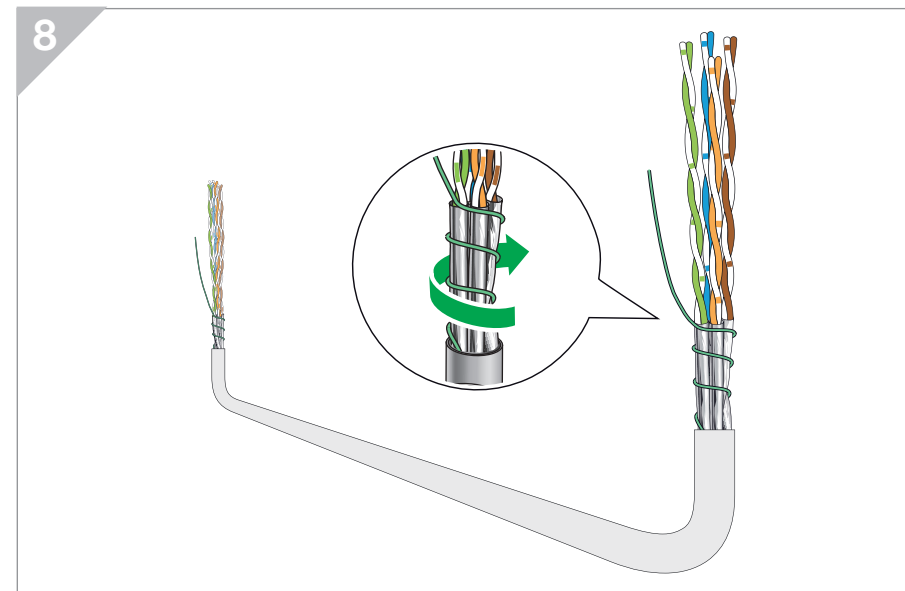
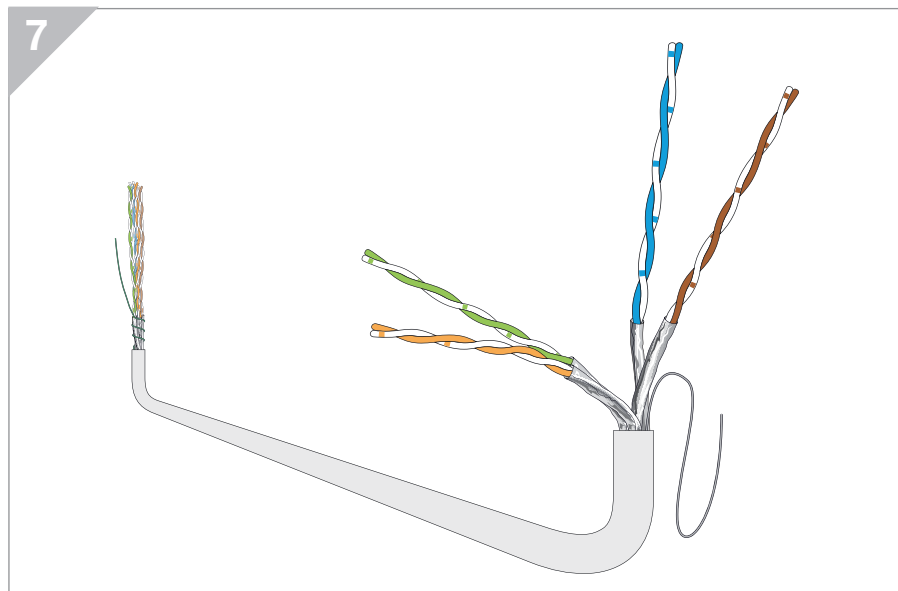
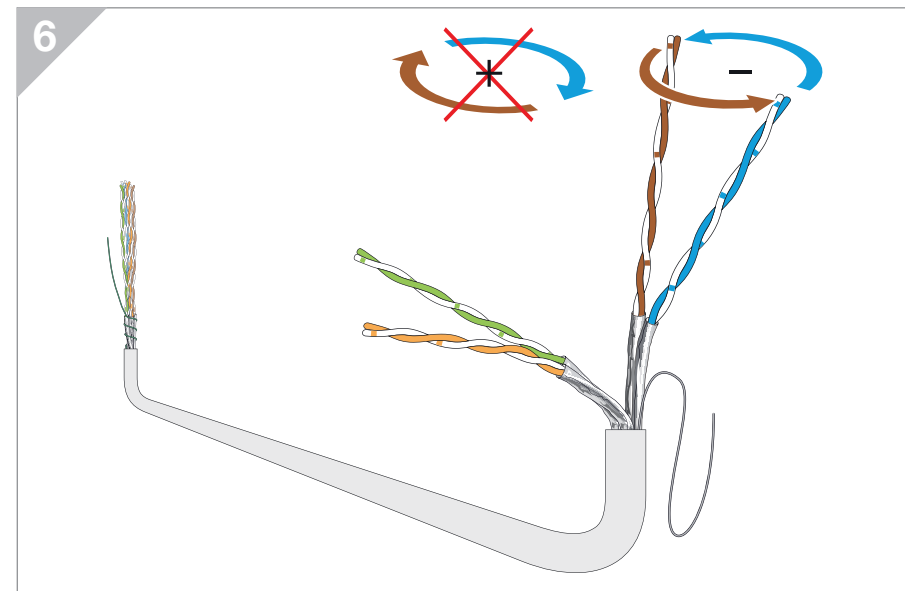
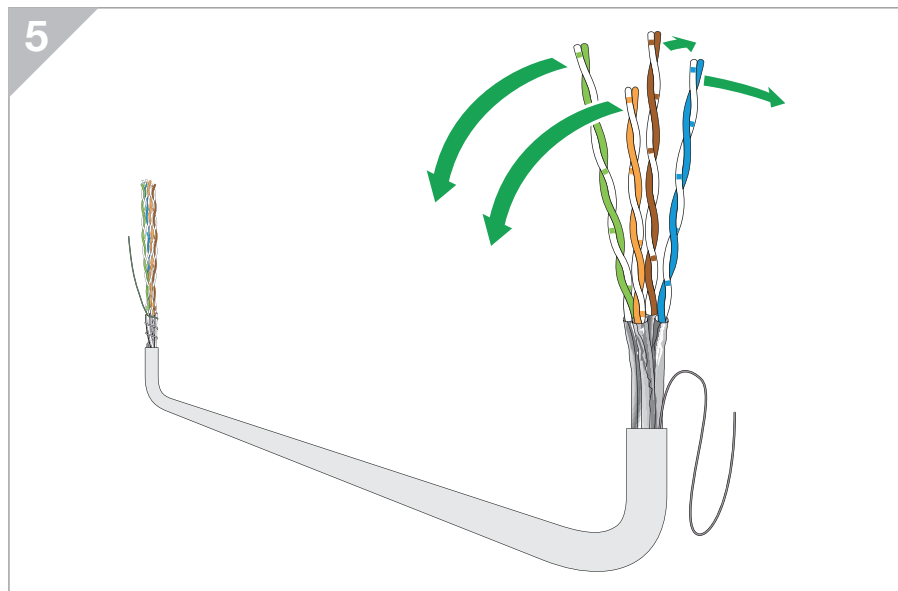
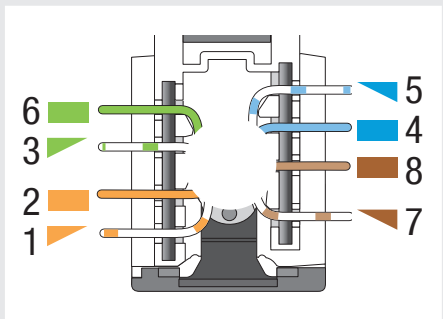


# Pairs crossing

## U/FTP

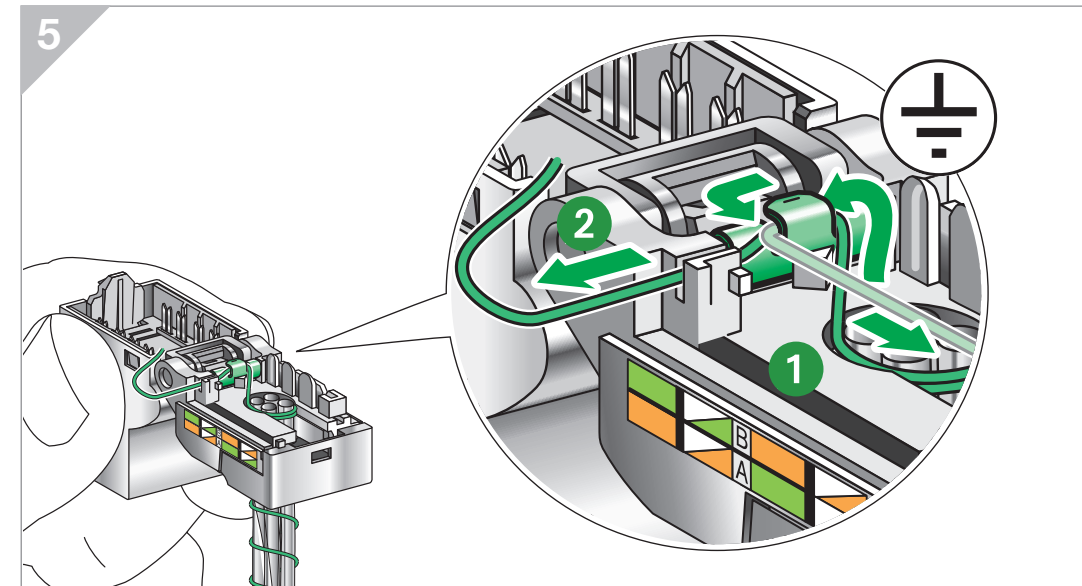
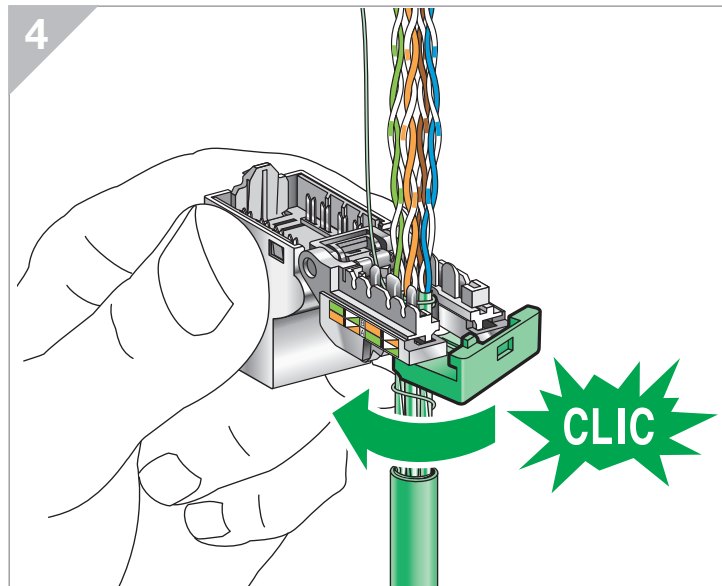
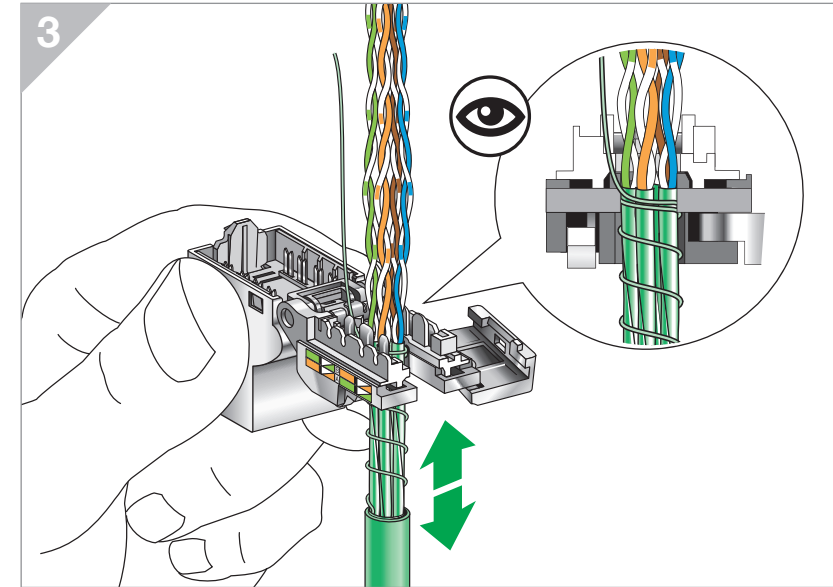
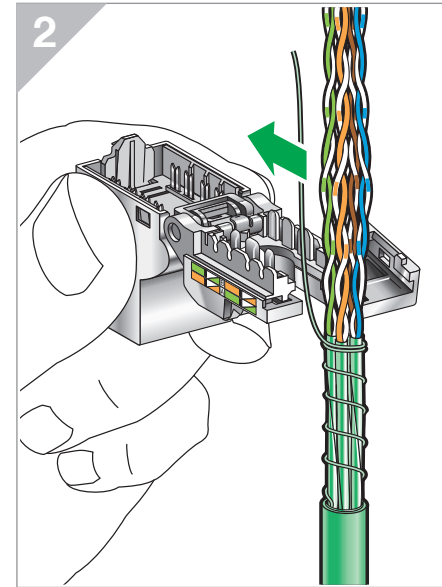
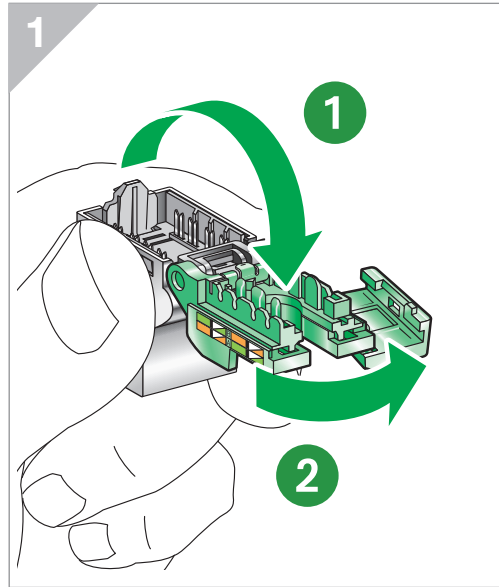
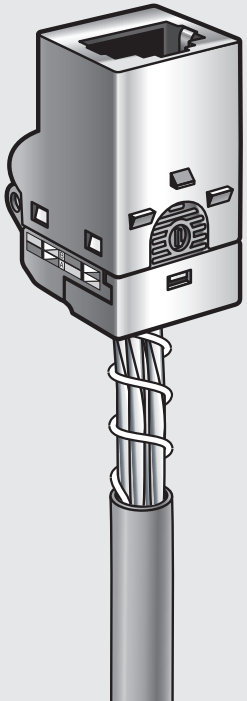
How to prepare a U/FTP cable with EIA-TIA 568B to reach high performance

EIA-TIA 568B (100Ω)



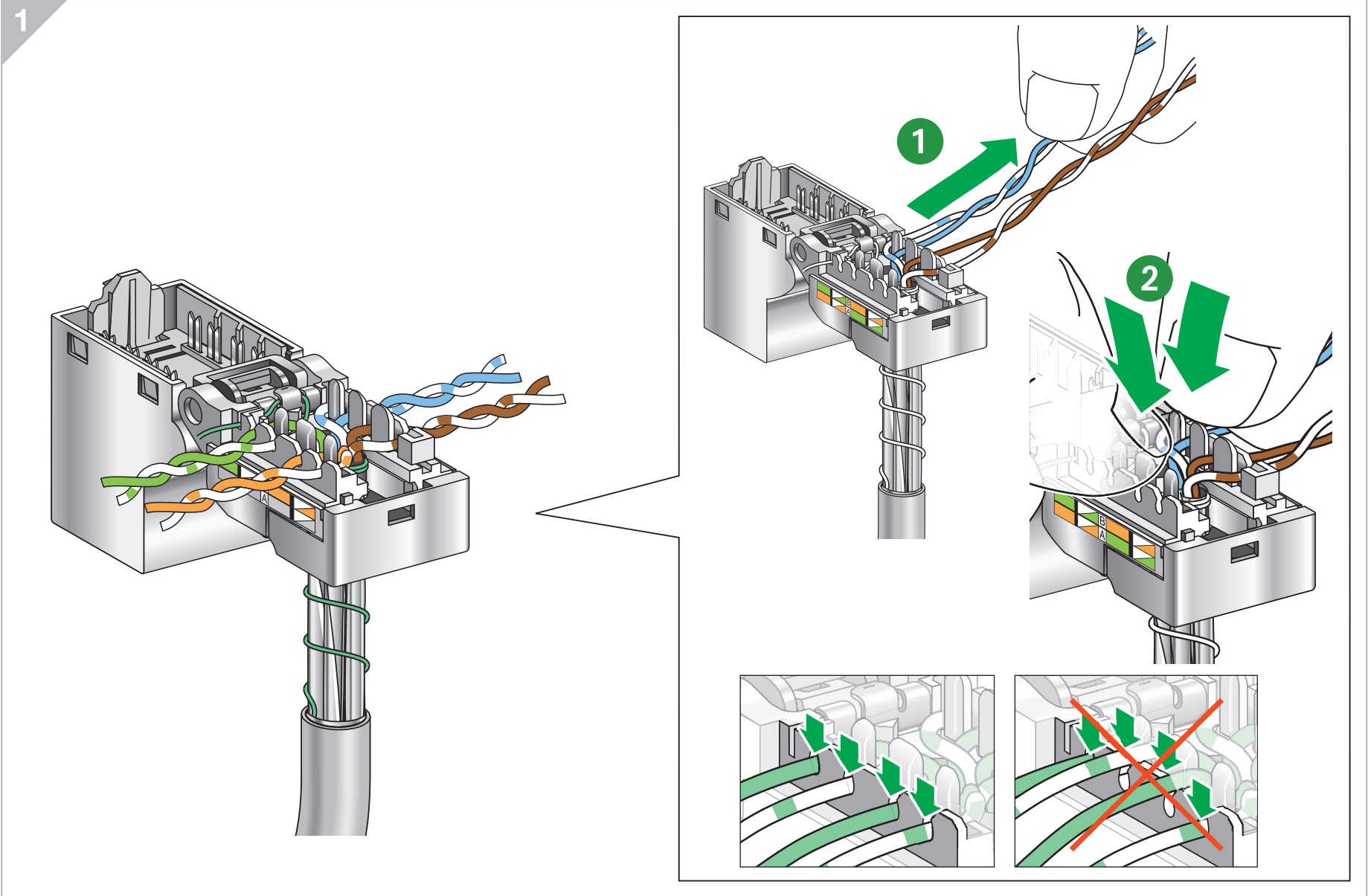
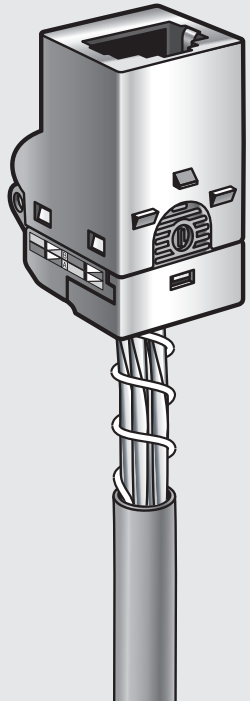
# Connector wiring

U/FTP



# Connector connection

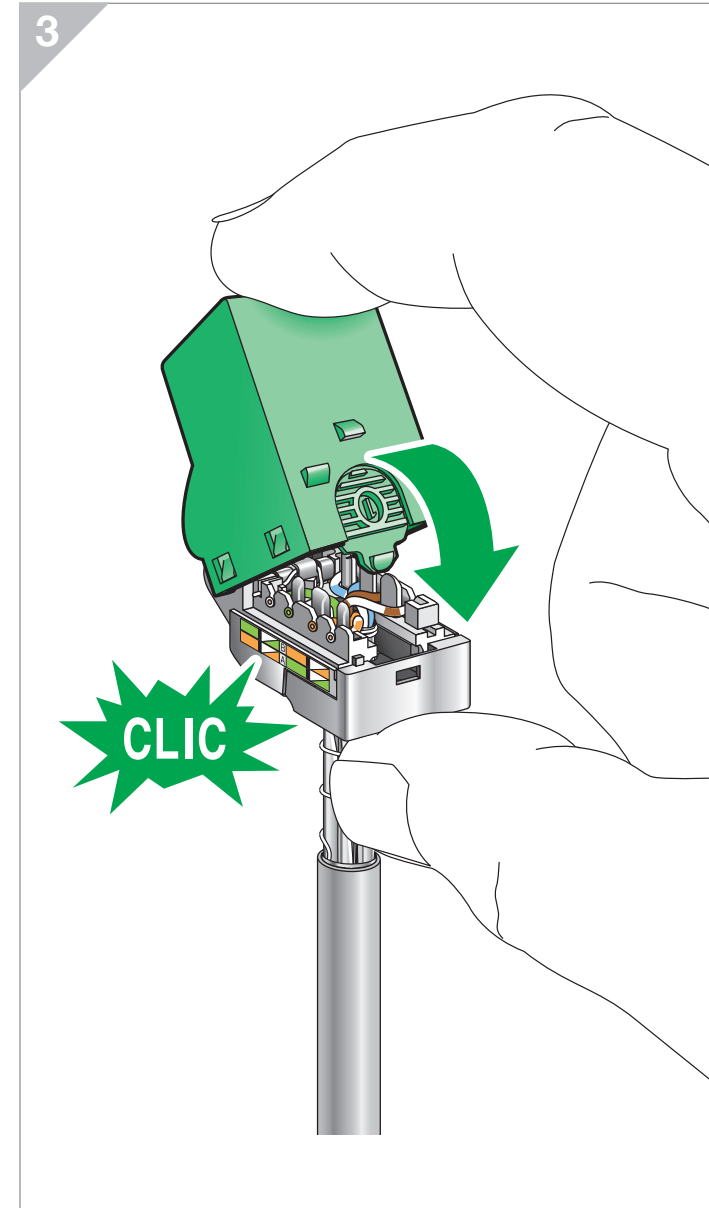
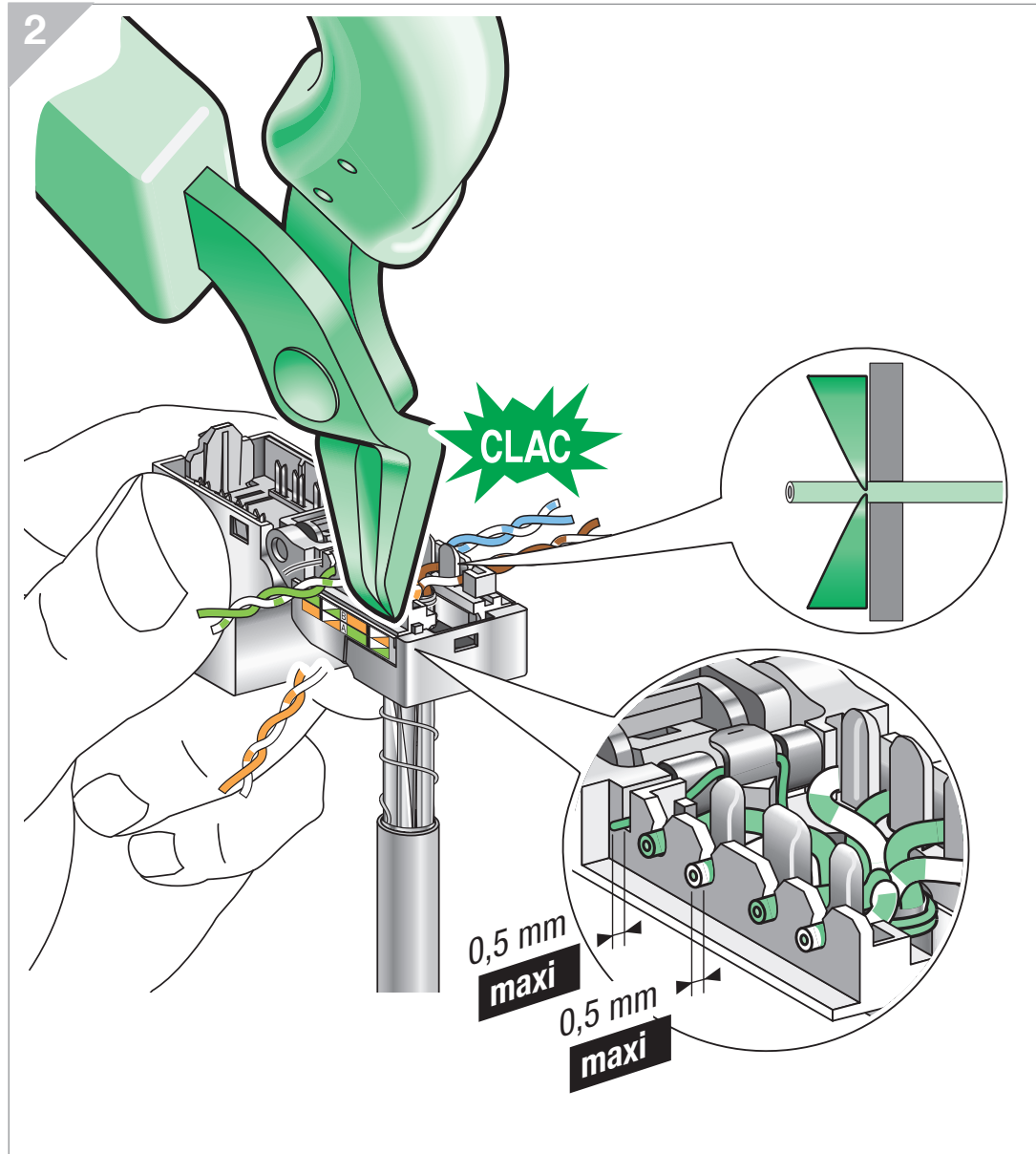
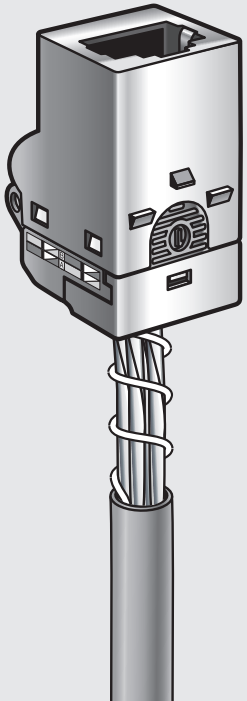
U/FTP





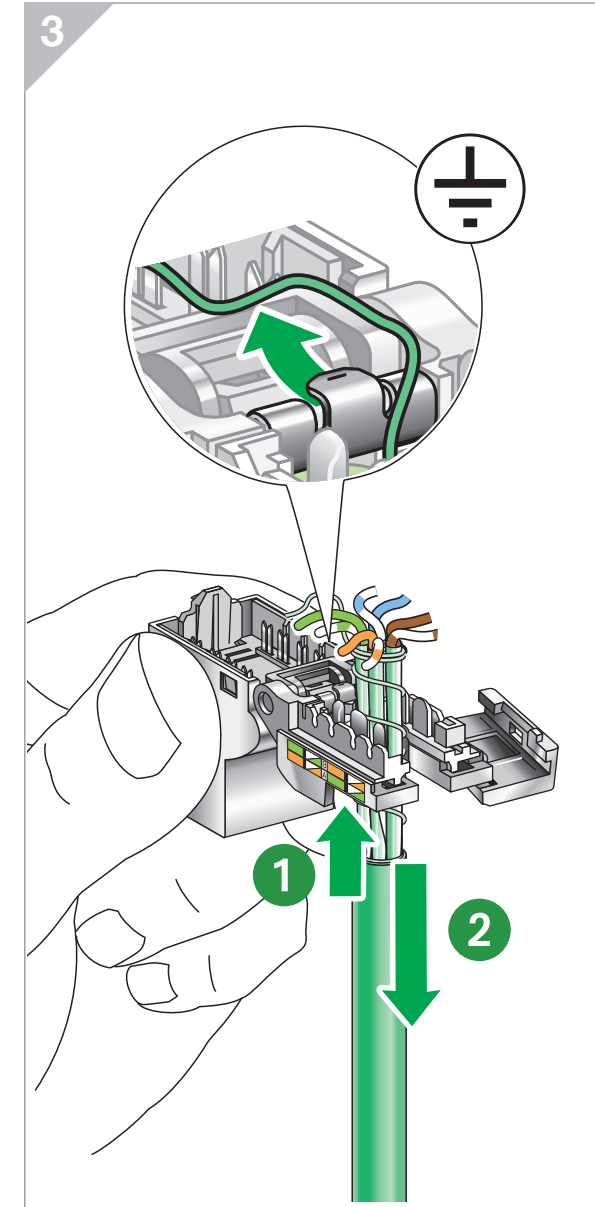
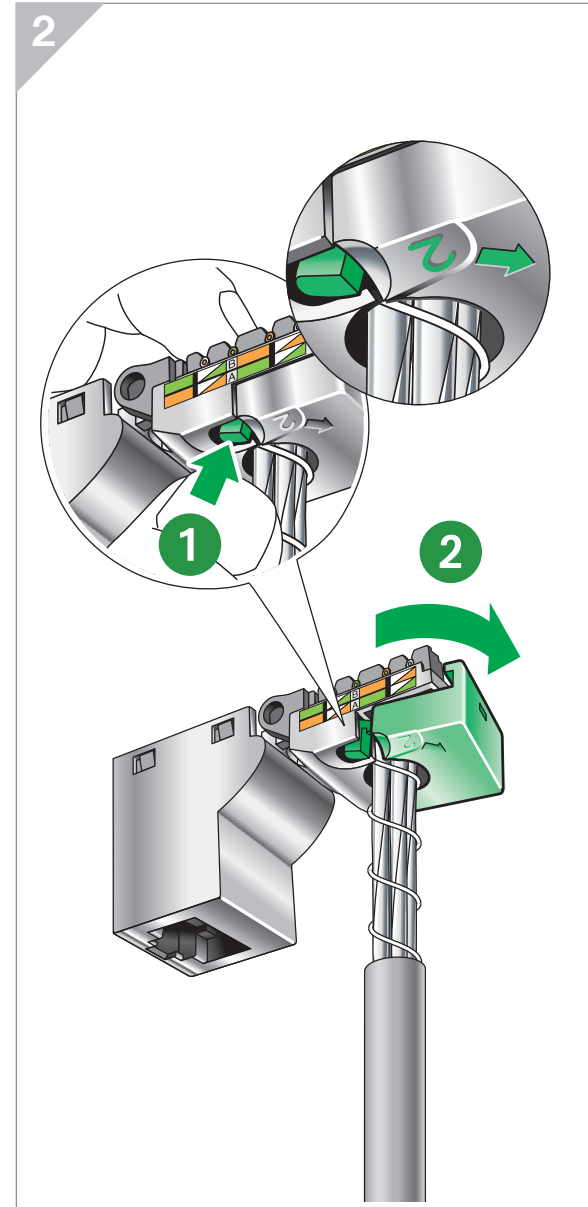
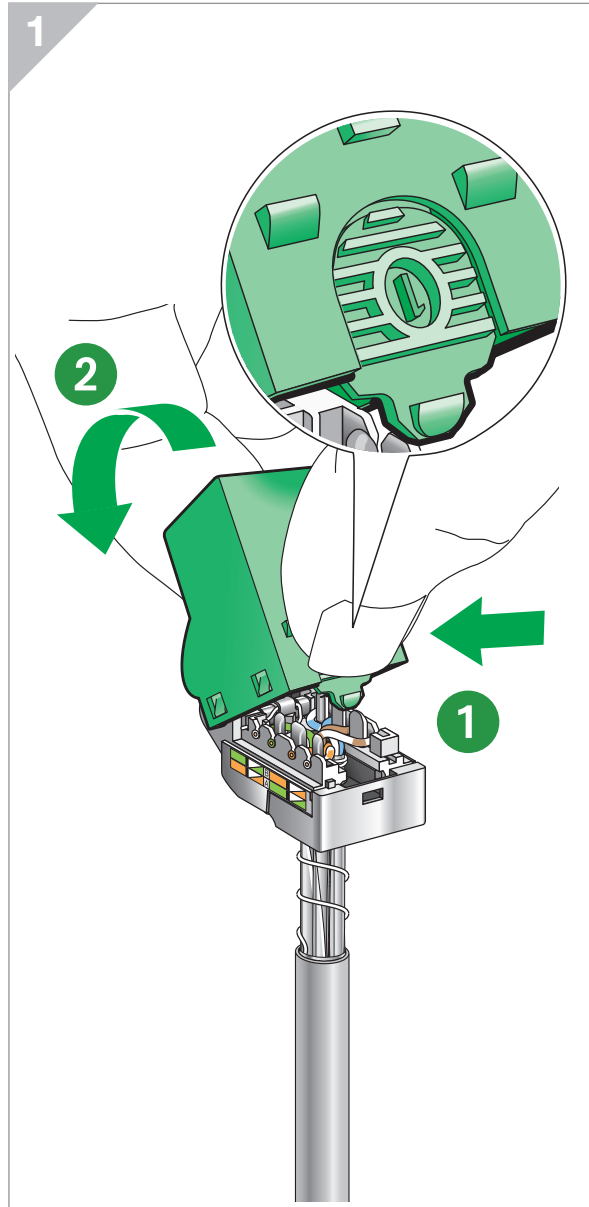
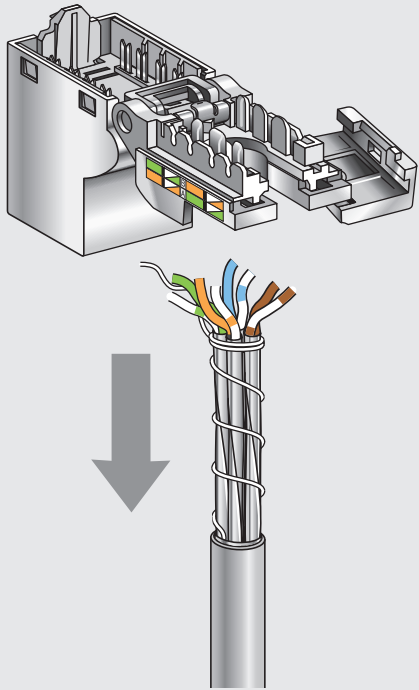
## Connector connection

U/FTP

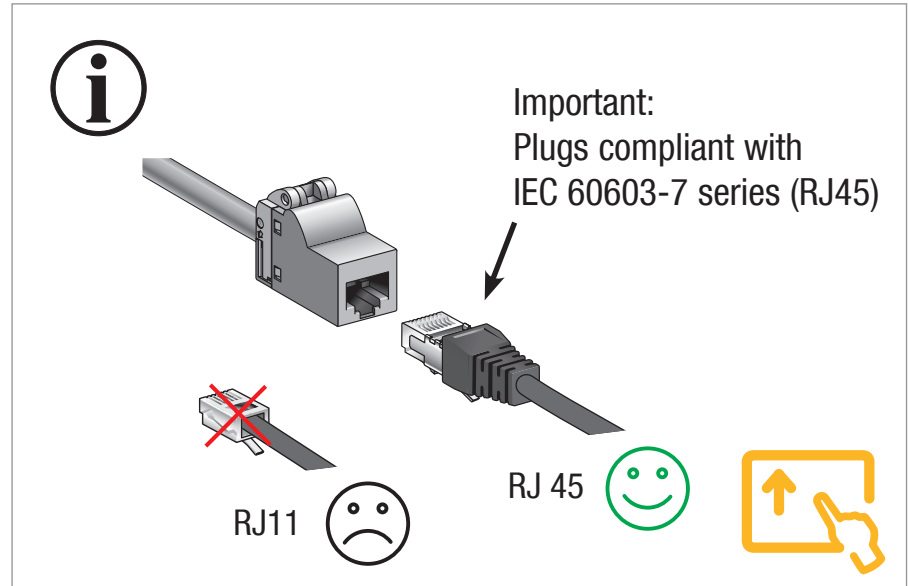
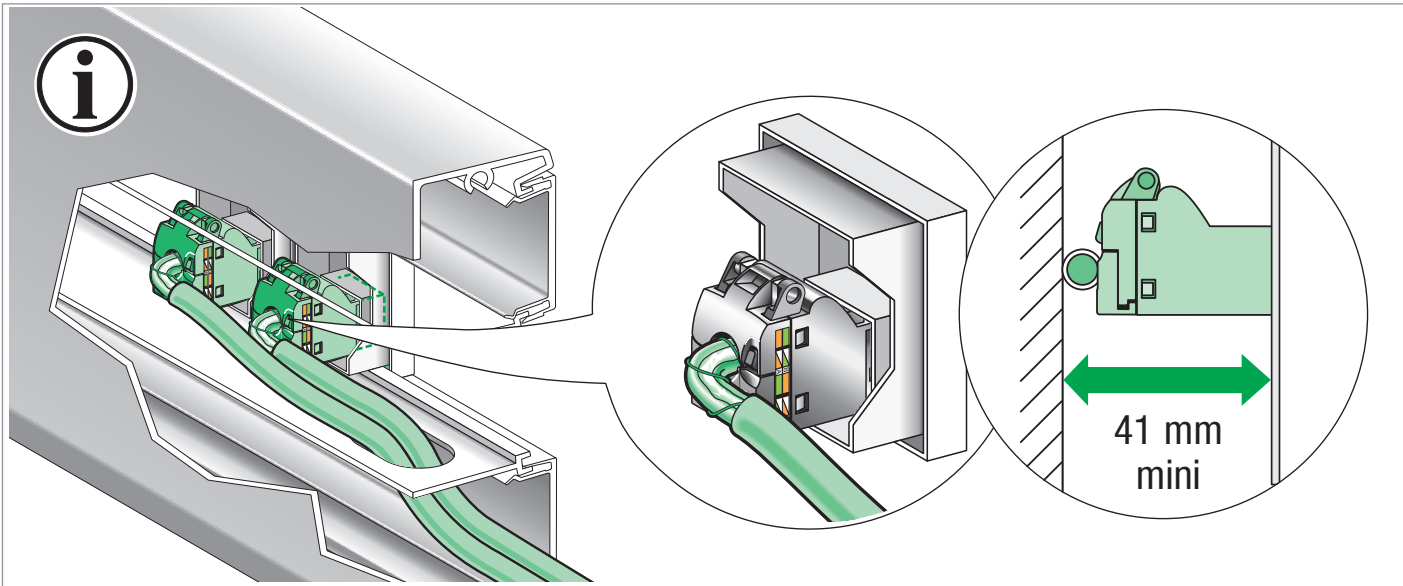
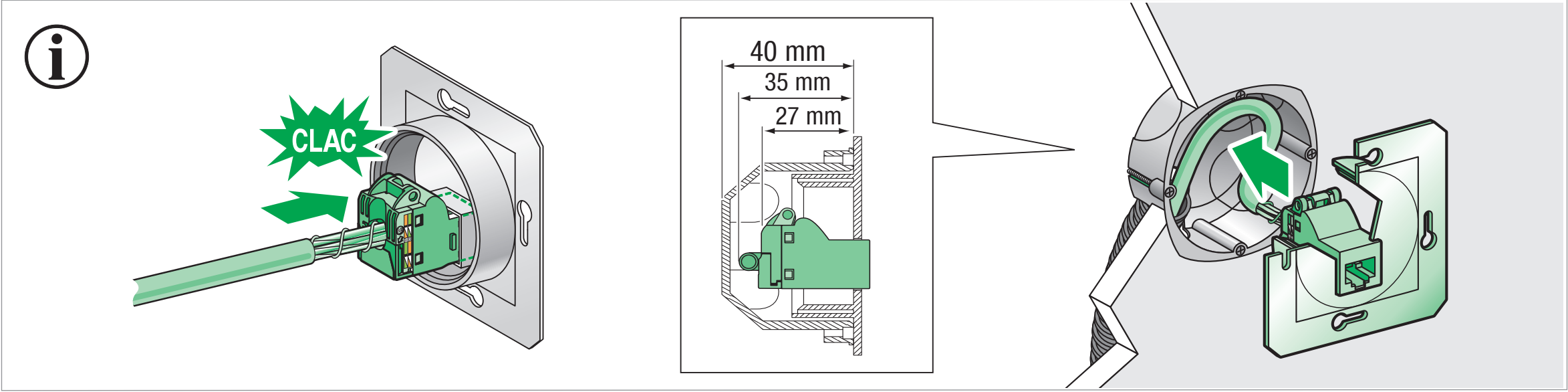


# Connector disconnection

U/FTP



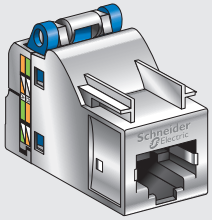
# ≡ Actassi S-One & S-One DPM shielded connectors - U/FTP cable



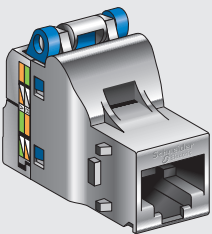
# Composition

## Shielded connector

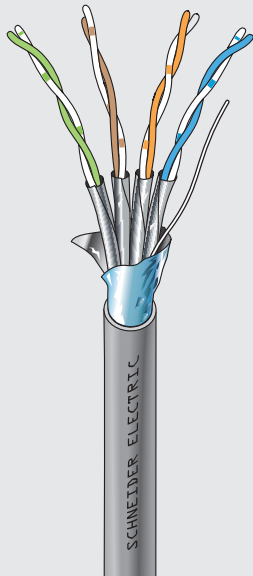
S-One



S-One DPM

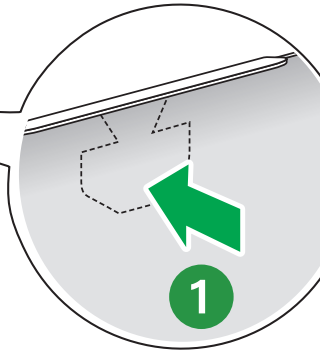
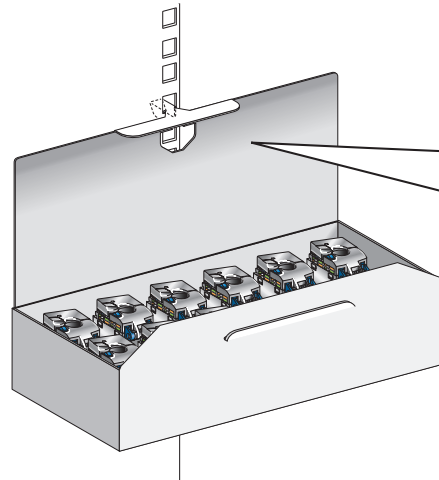
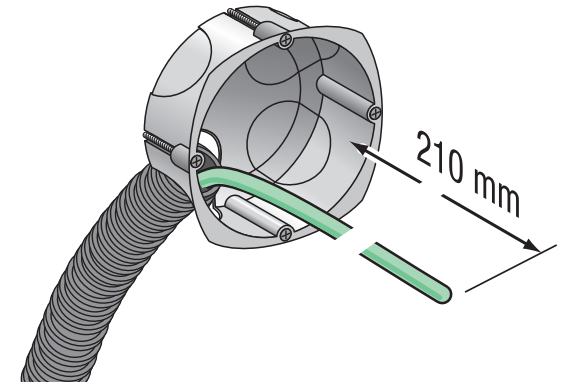


## F/FTP



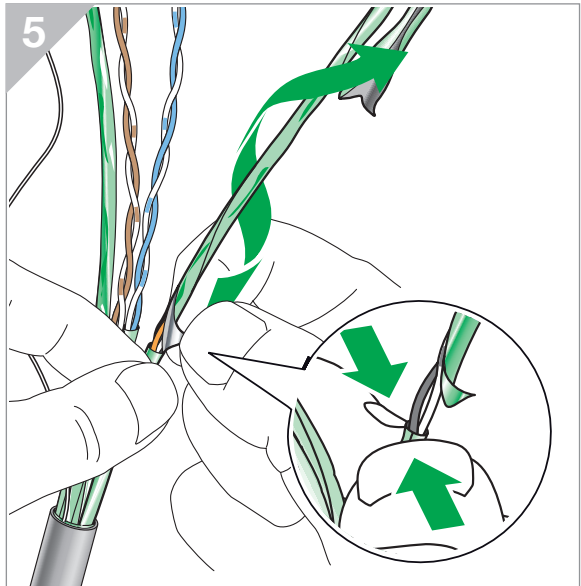
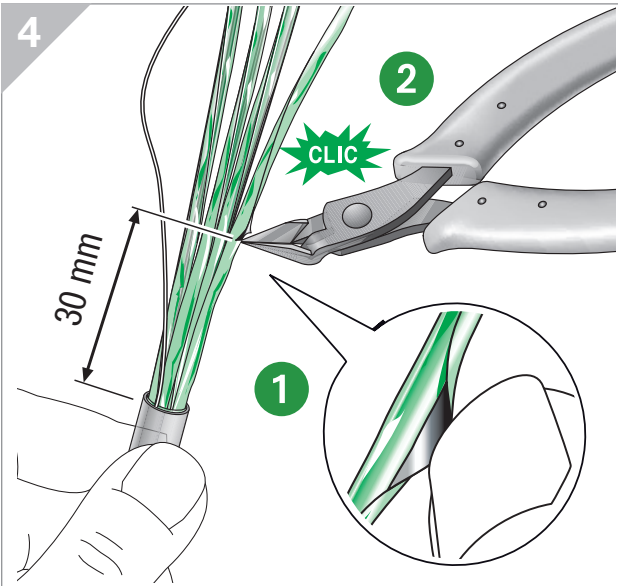
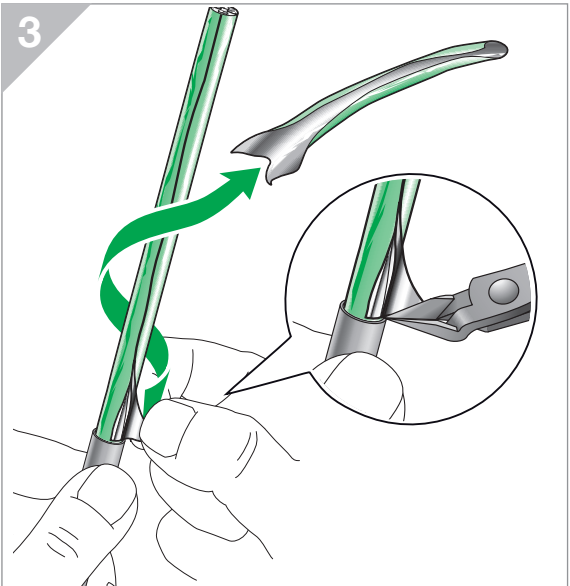
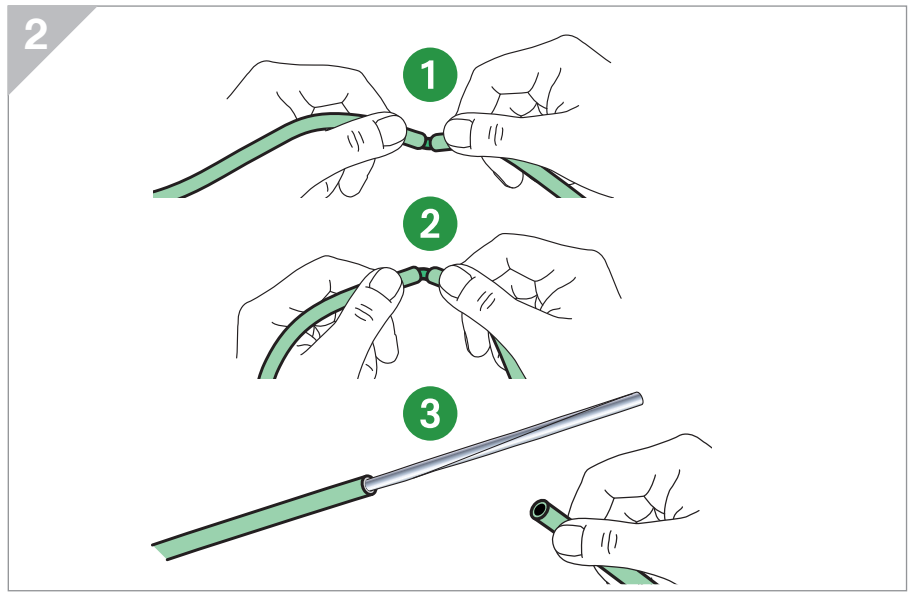
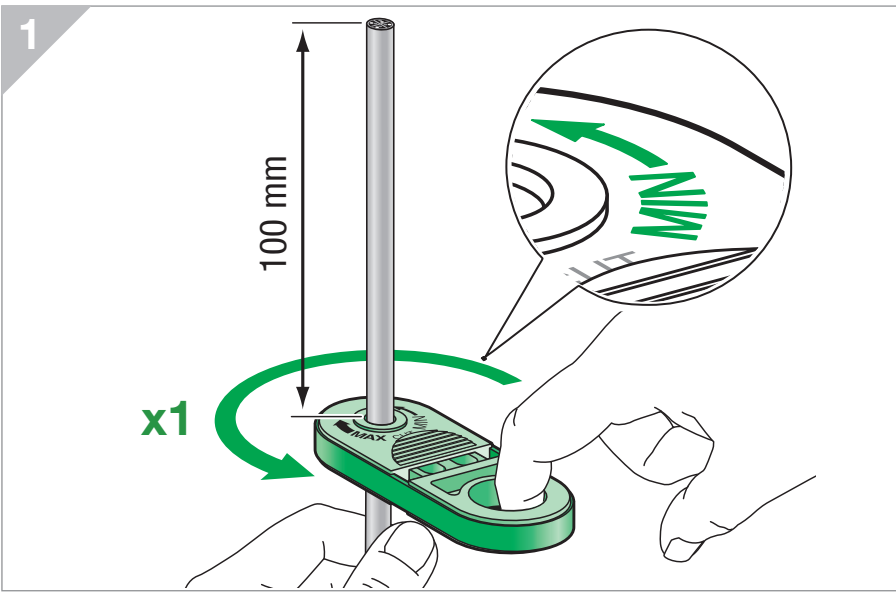
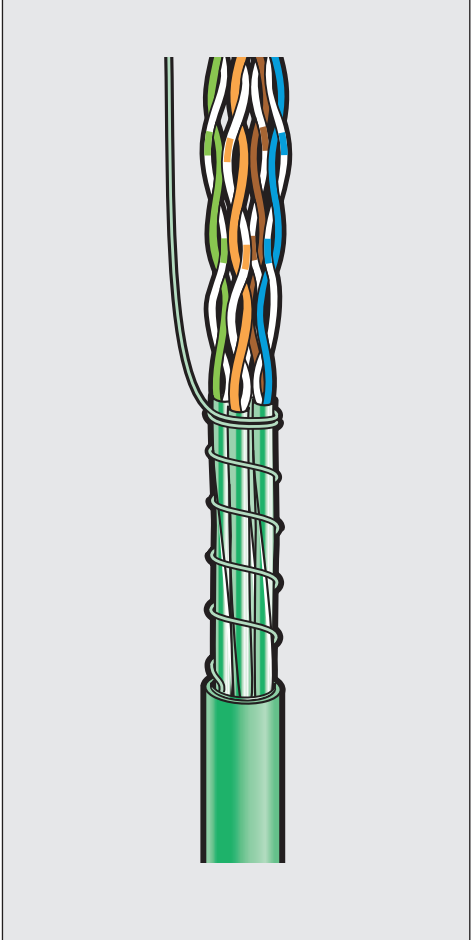
VDIR580020

x1



# Cable preparation

## F/FTP

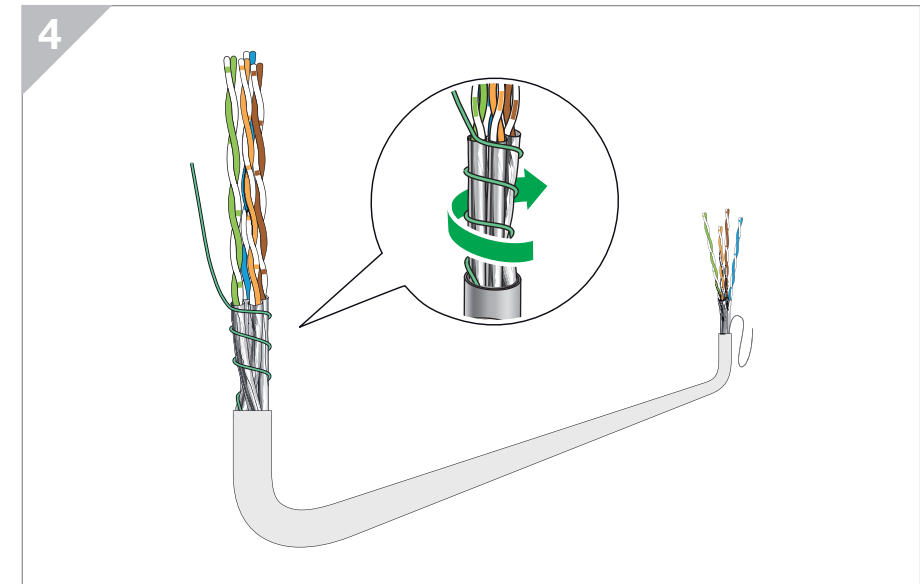
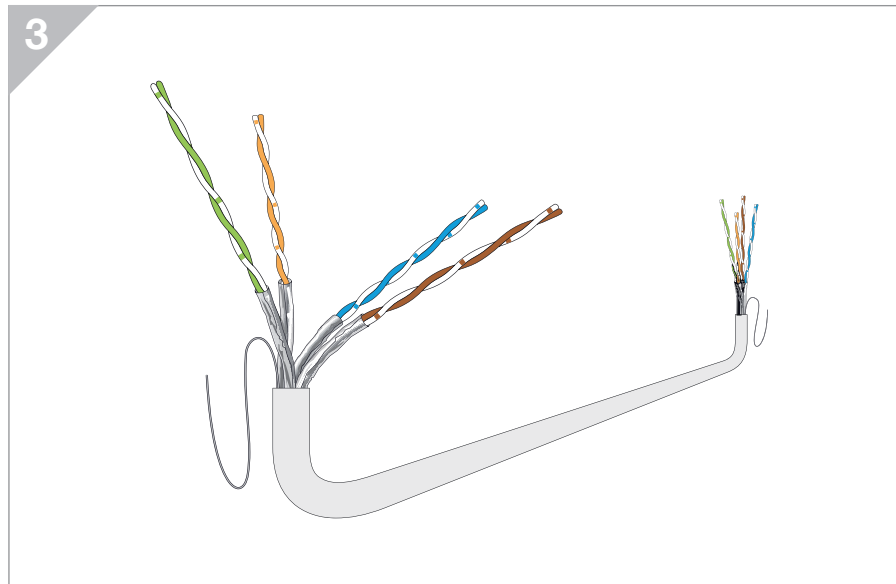
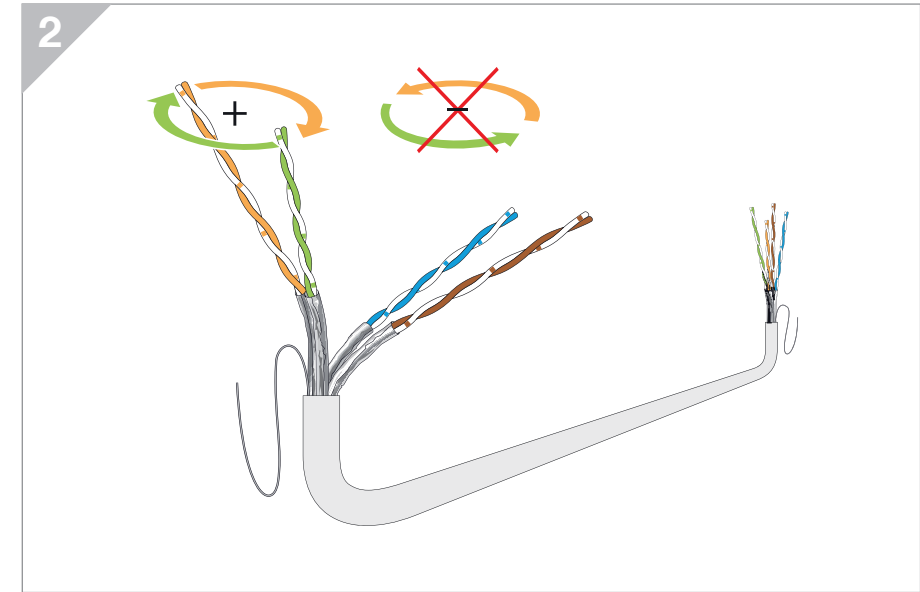
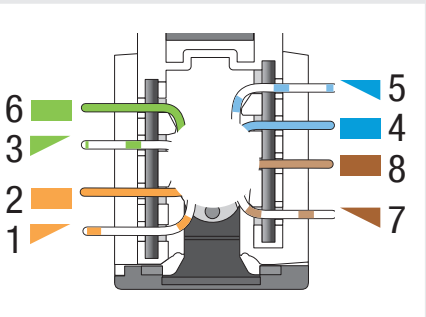


# Pairs crossing

## F/FTP

How to prepare a F/FTP cable with EIA-TIA 568B to reach high performance

### EIA-TIA 568B (100Ω)

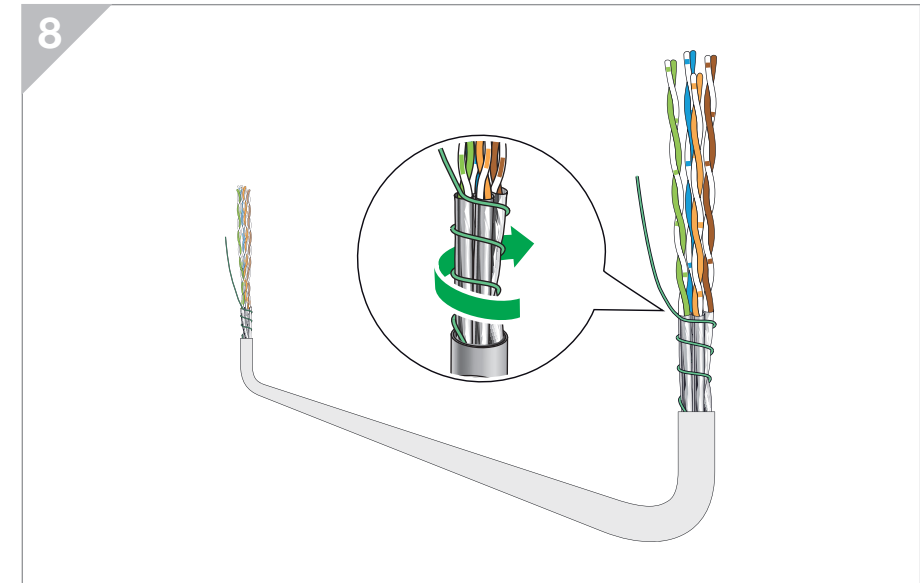
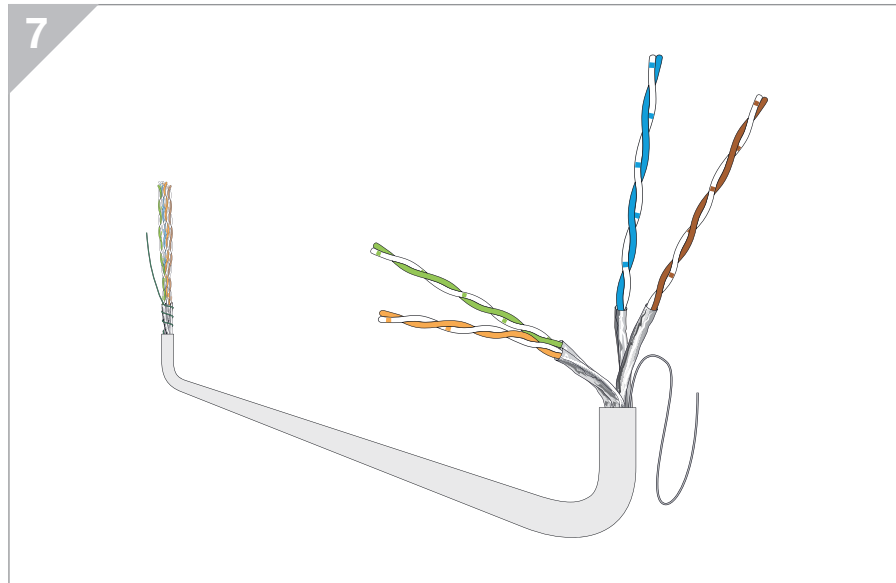
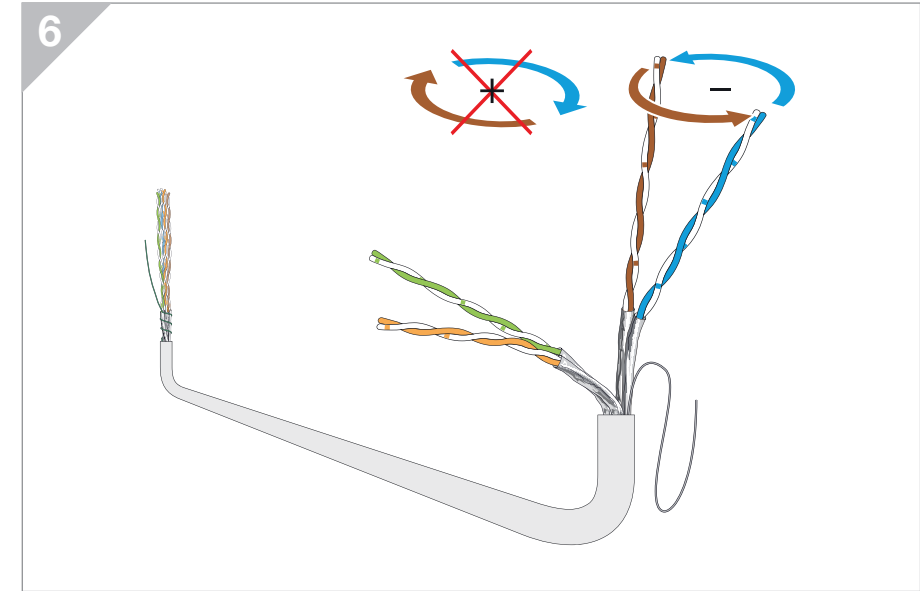
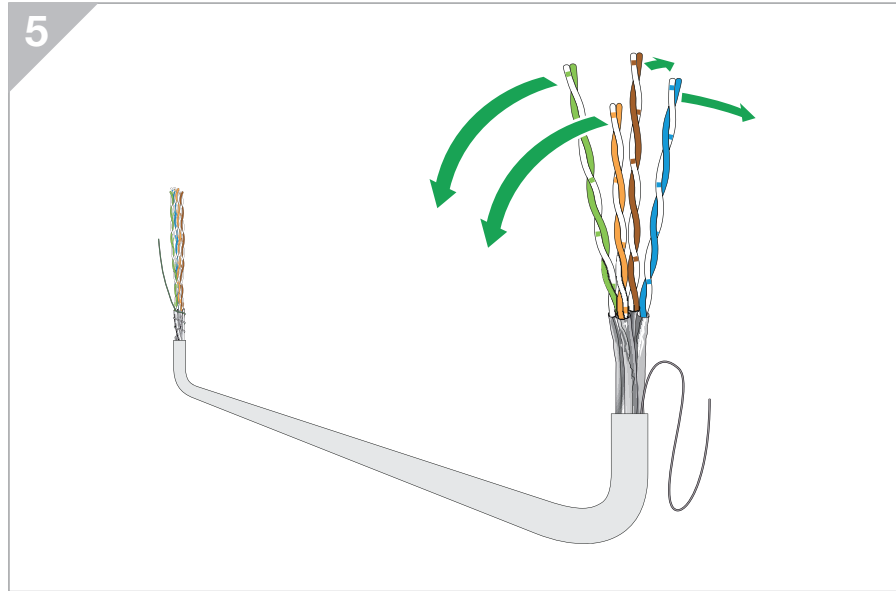
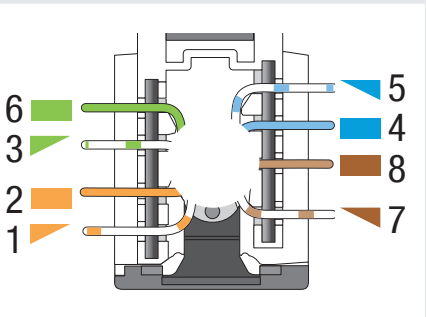


# Pairs crossing

## F/FTP

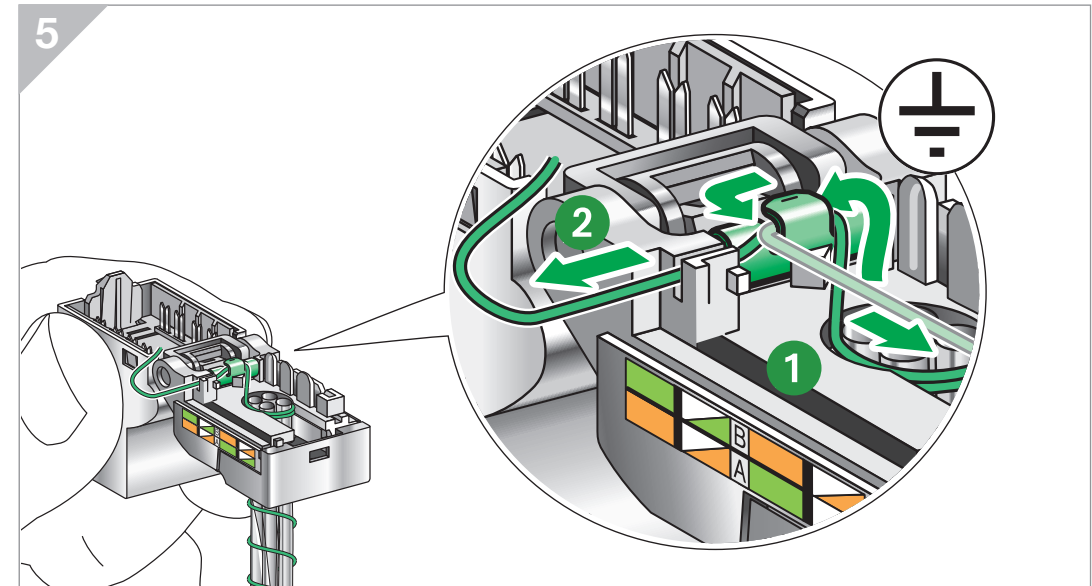
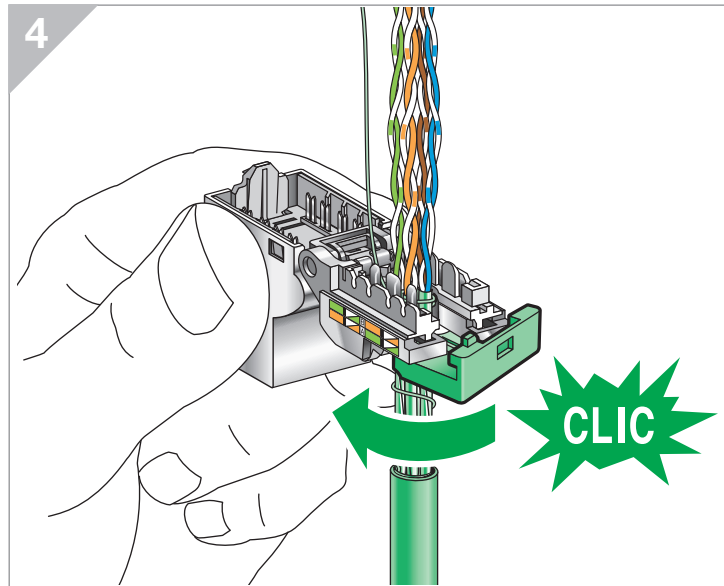
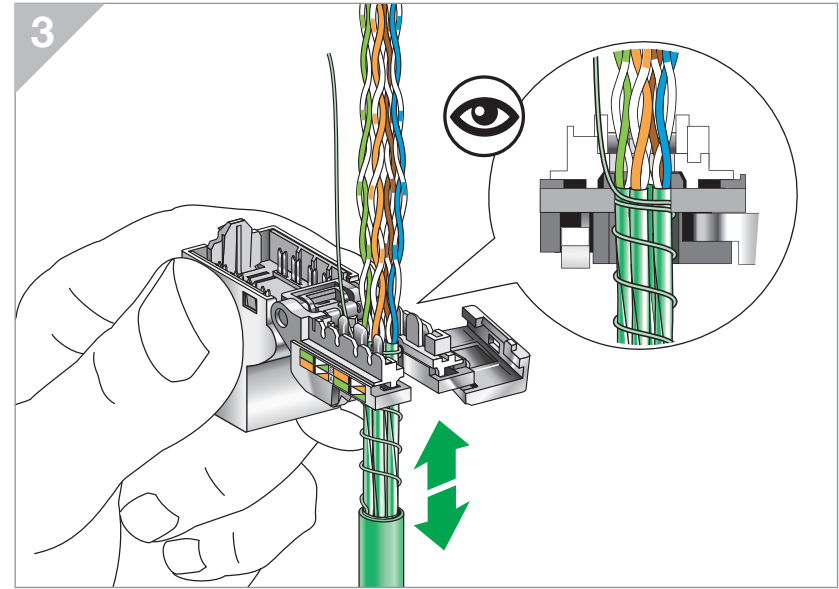
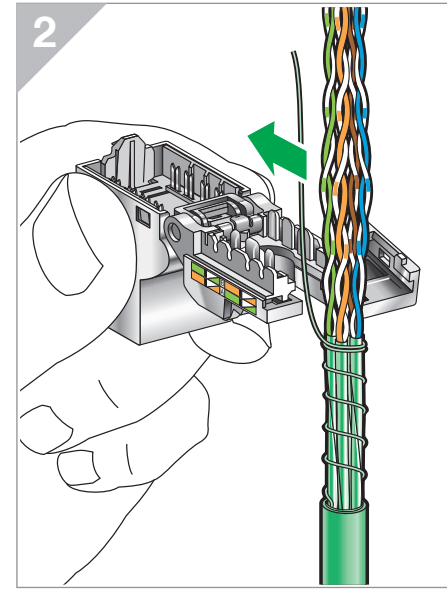
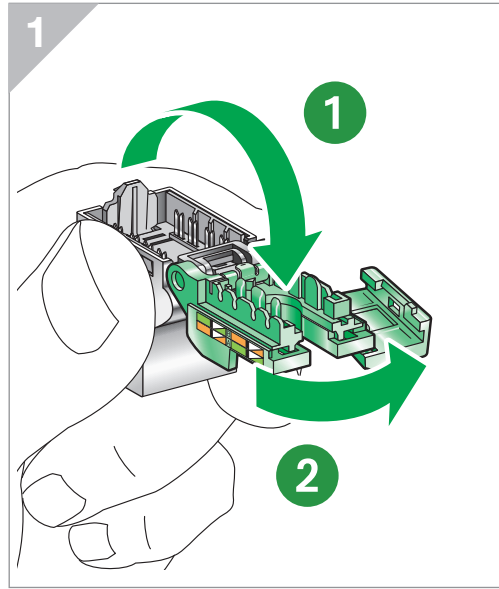
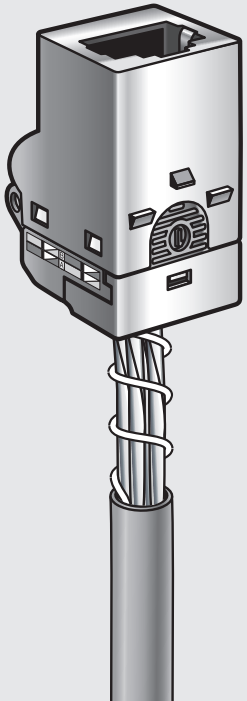
How to prepare a F/FTP cable with EIA-TIA 568B to reach high performance

### EIA-TIA 568B (100Ω)



# Connector wiring

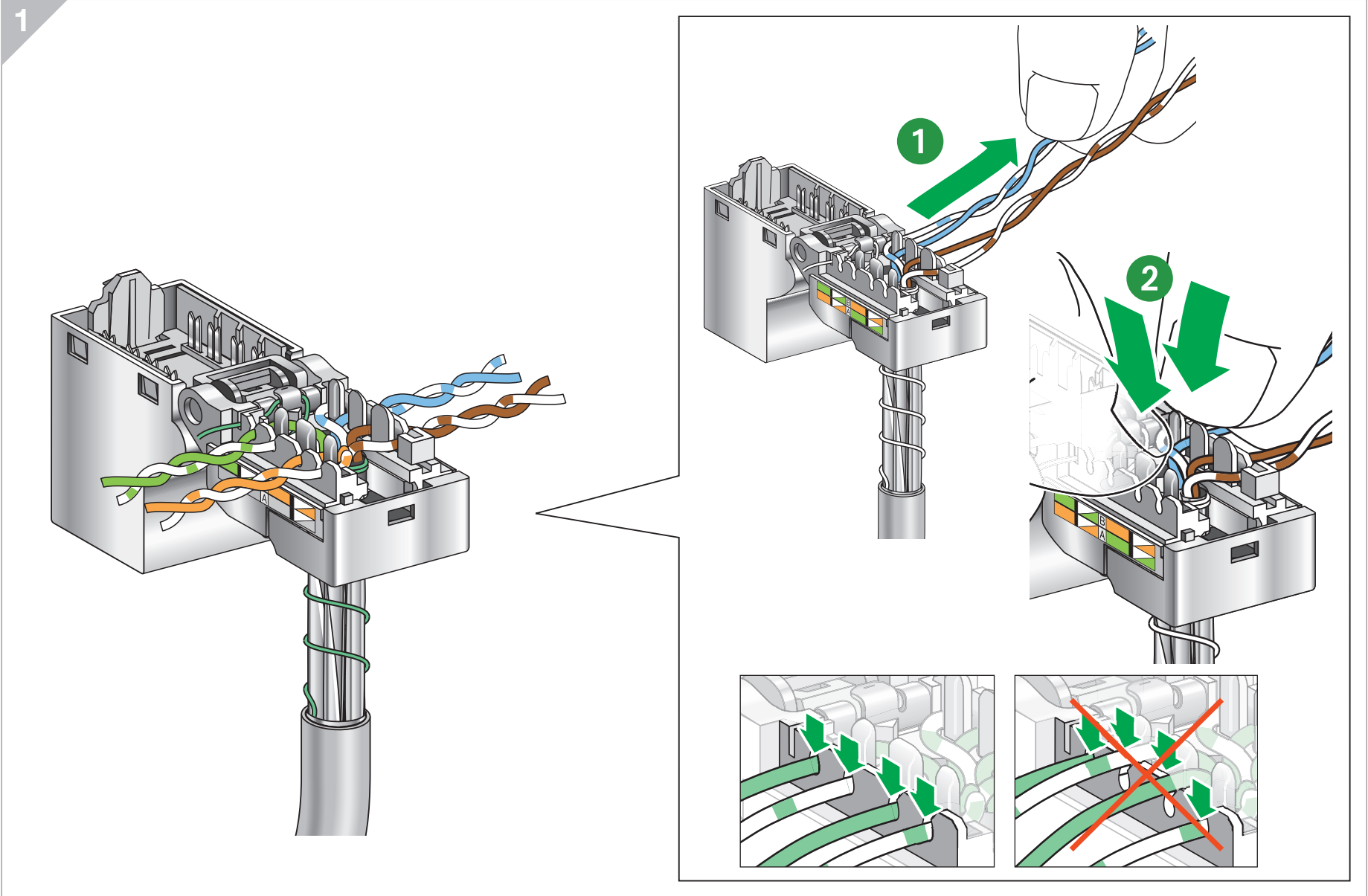
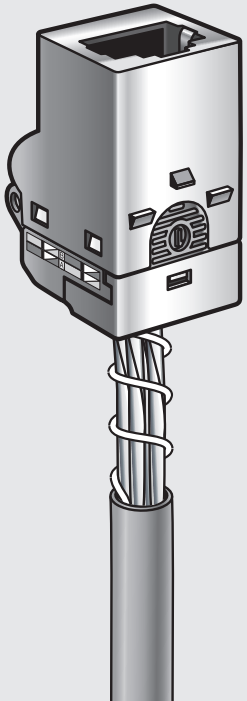
F/FTP





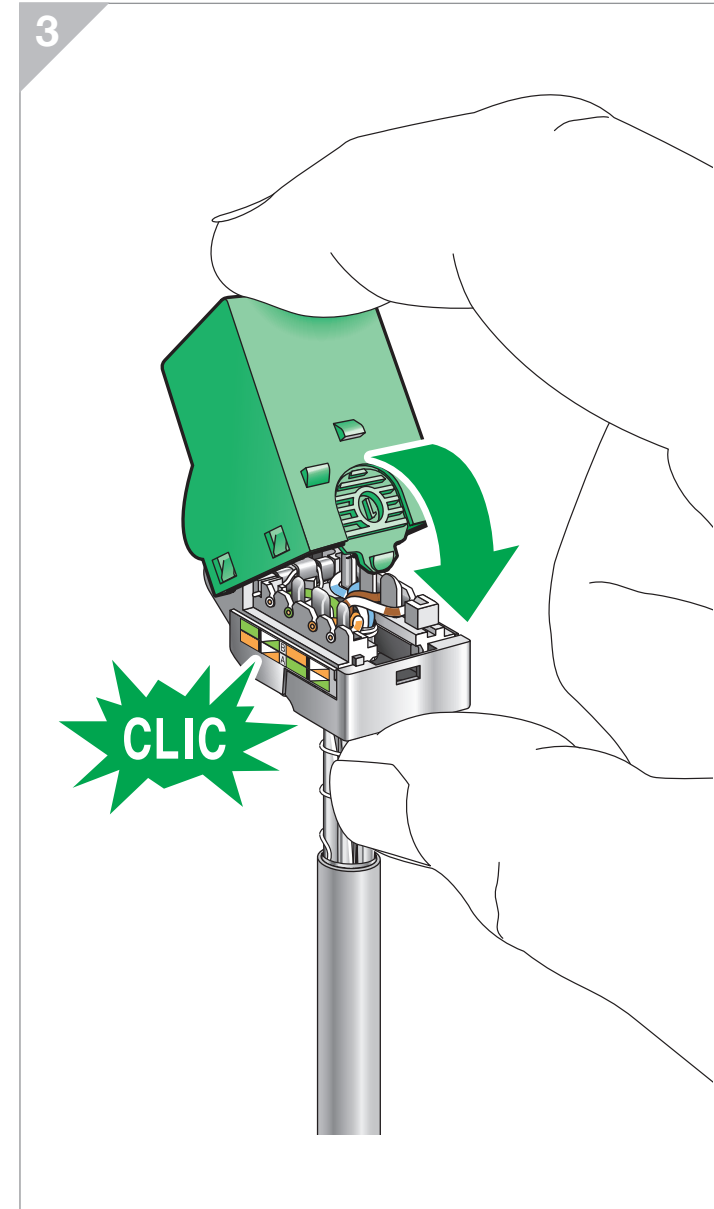
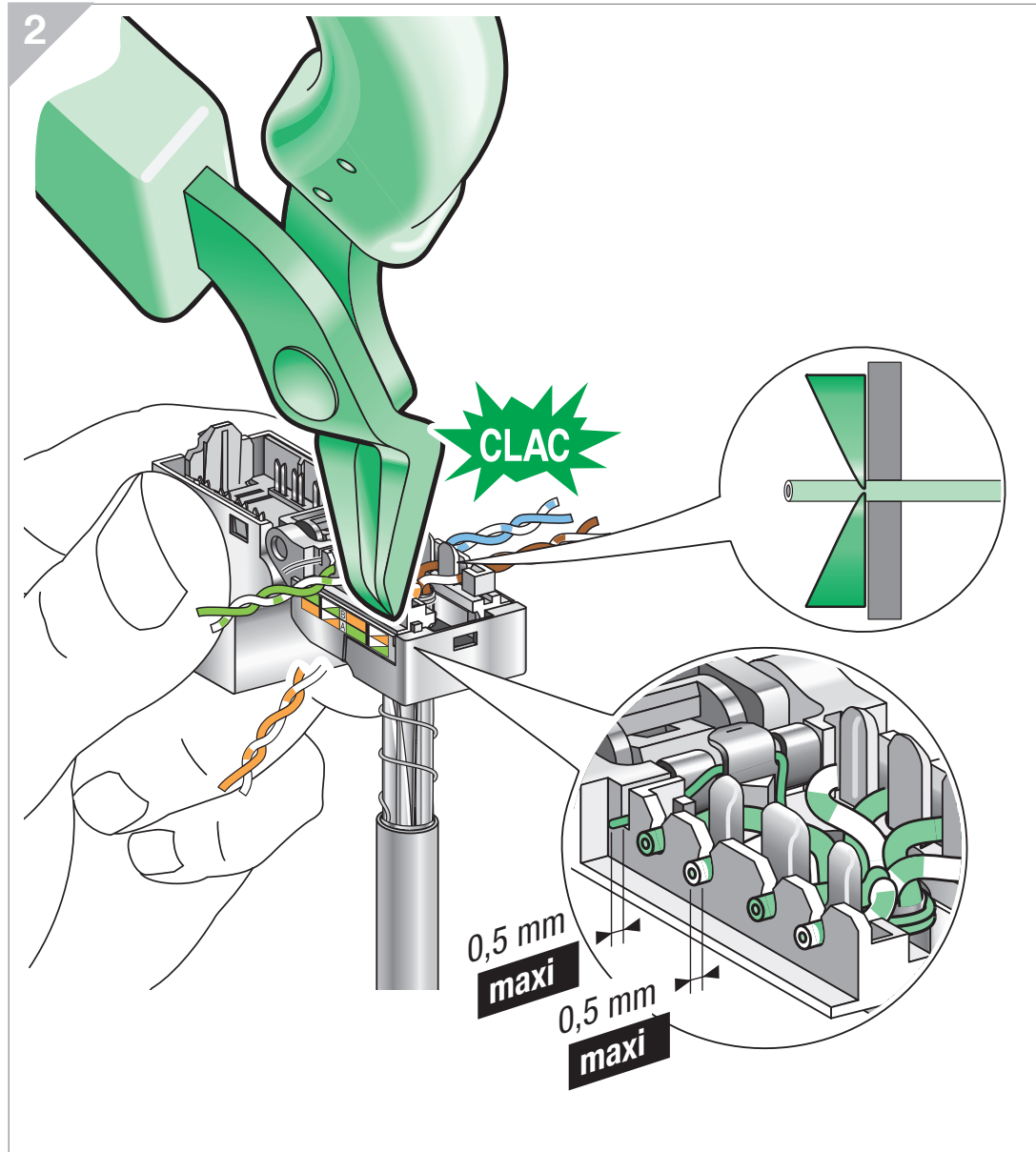
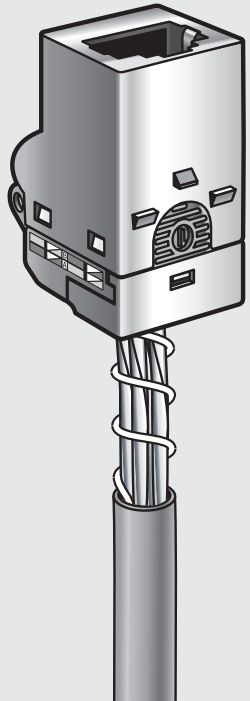
# Connector connection

F/FTP



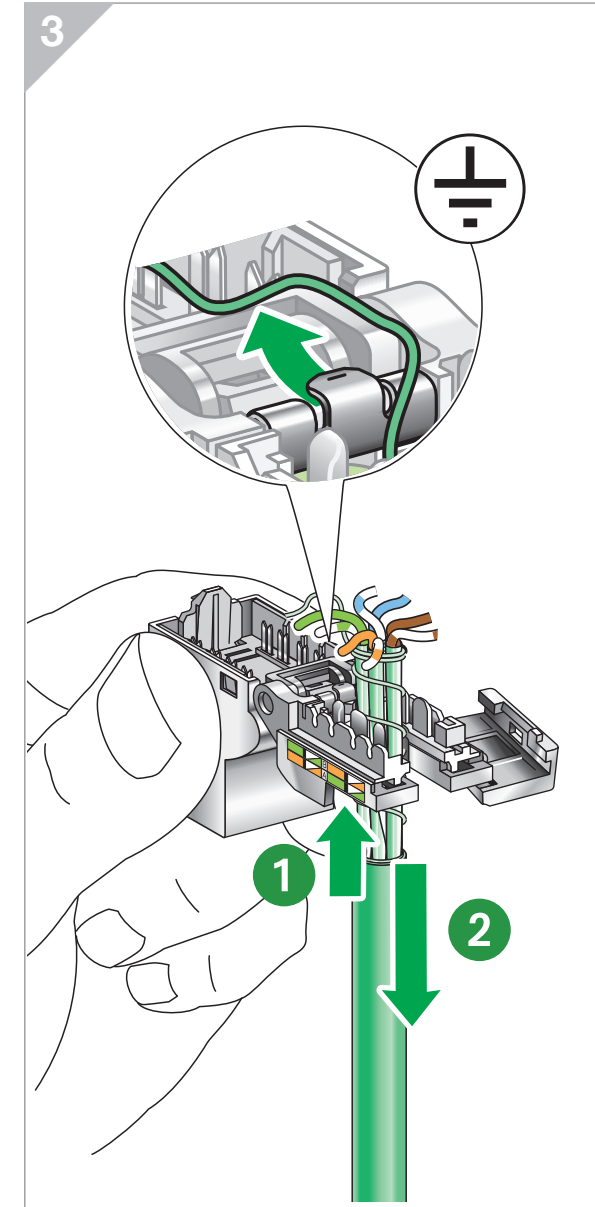
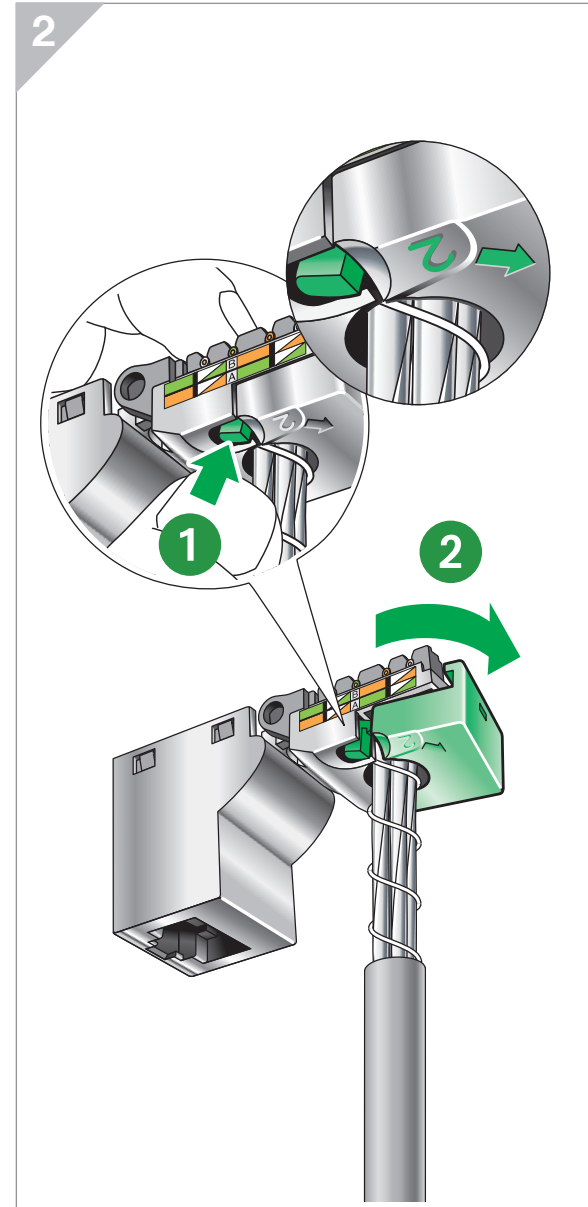
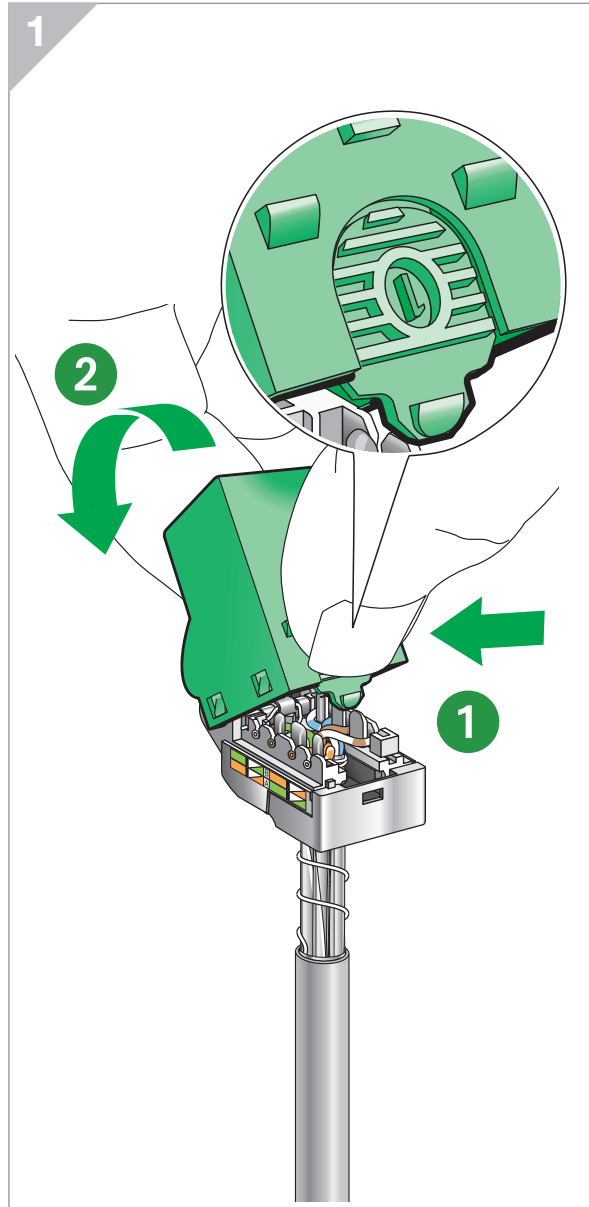
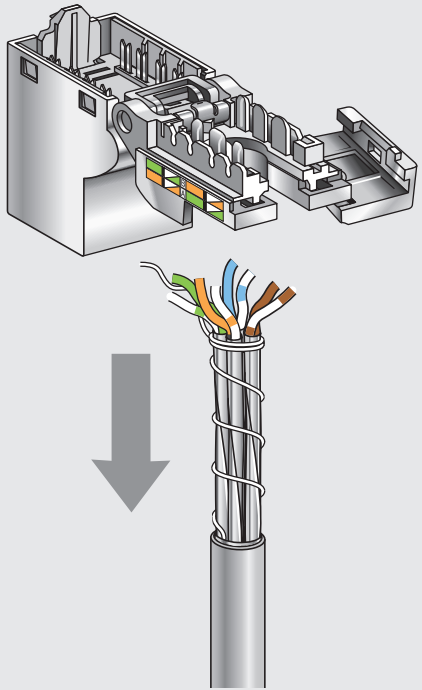
# Connector connection

F/FTP

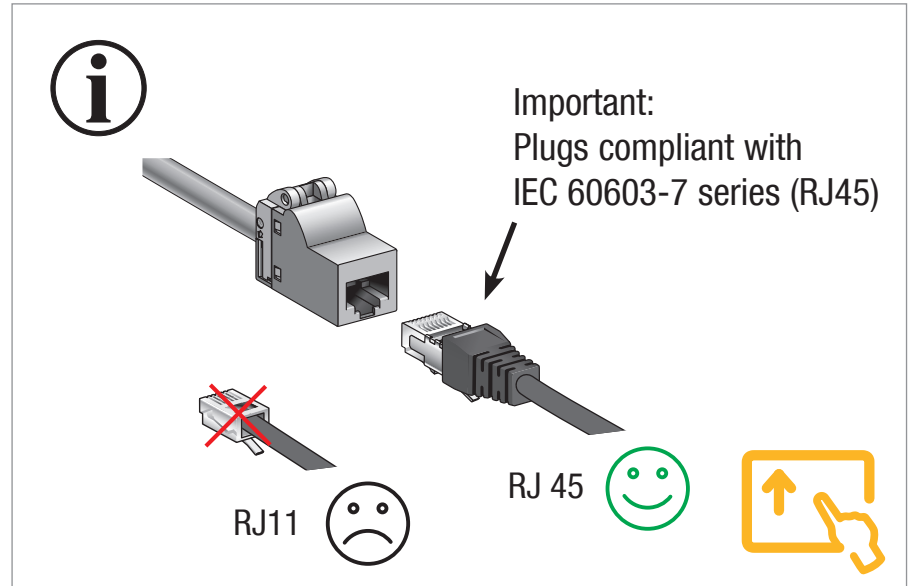
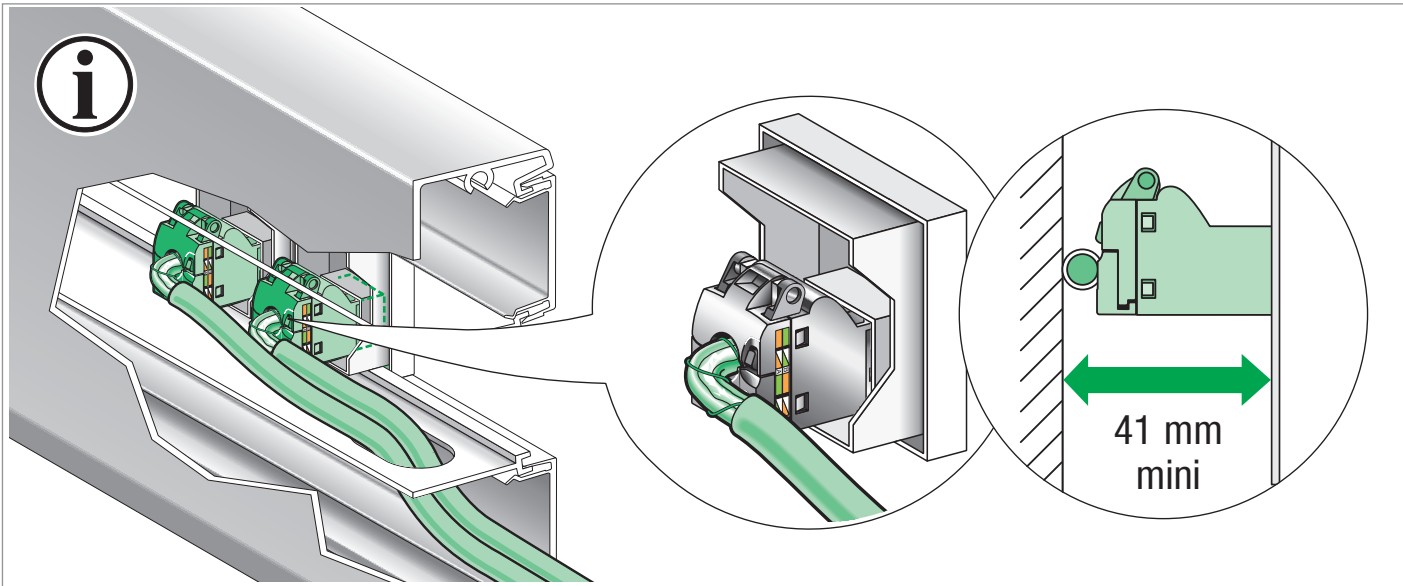
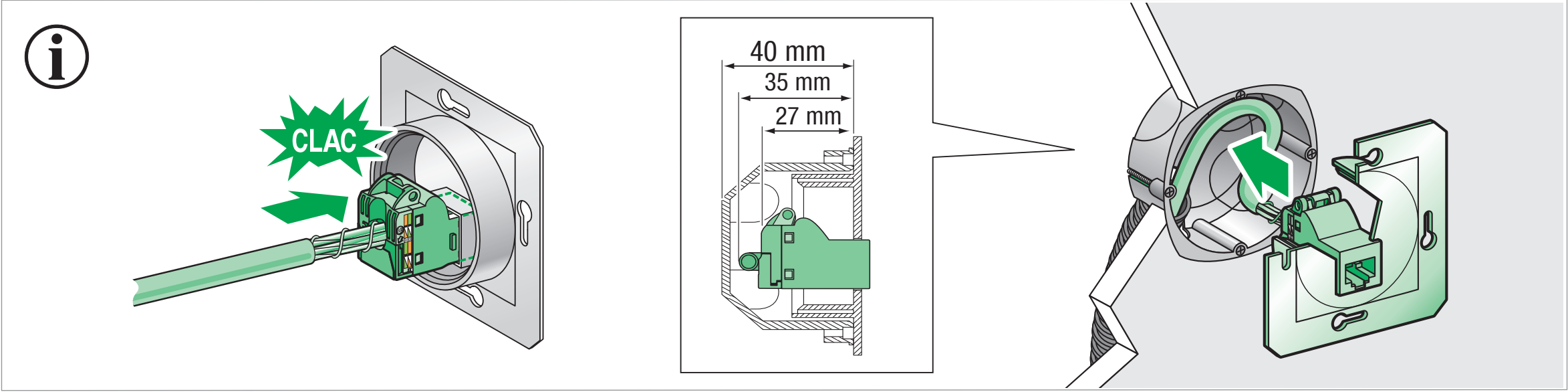


# Connector disconnection

F/FTP



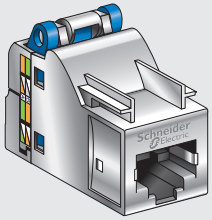
# ≡ Actassi S-One & S-One DPM shielded connectors - F/FTP cable



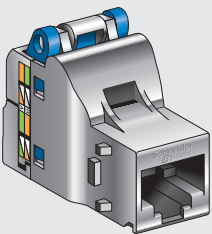
# Composition

## Shielded connector

S-One



S-One DPM

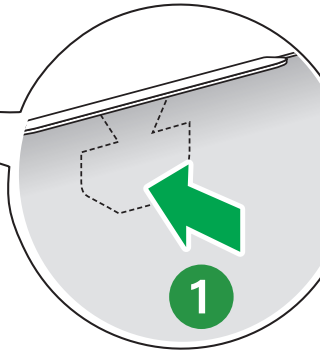
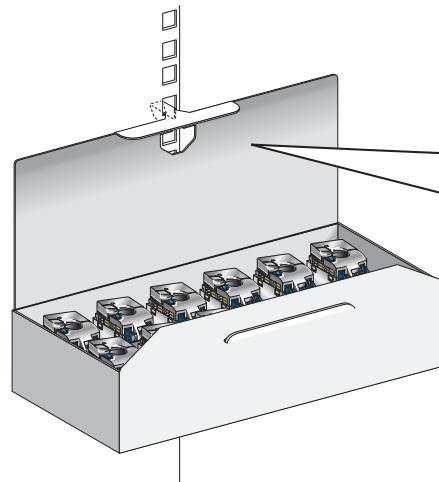
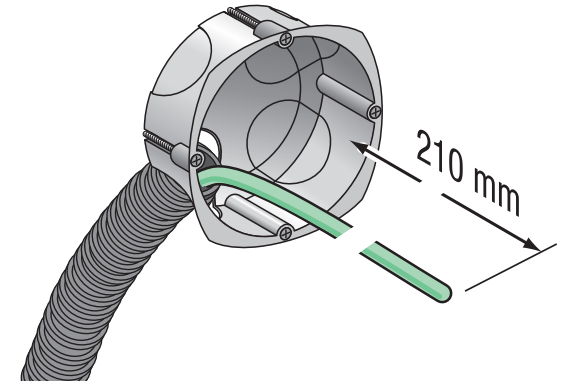


## S/FTP



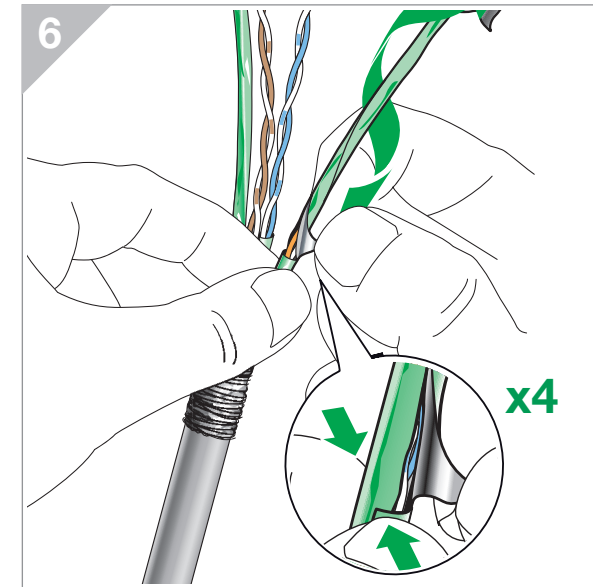
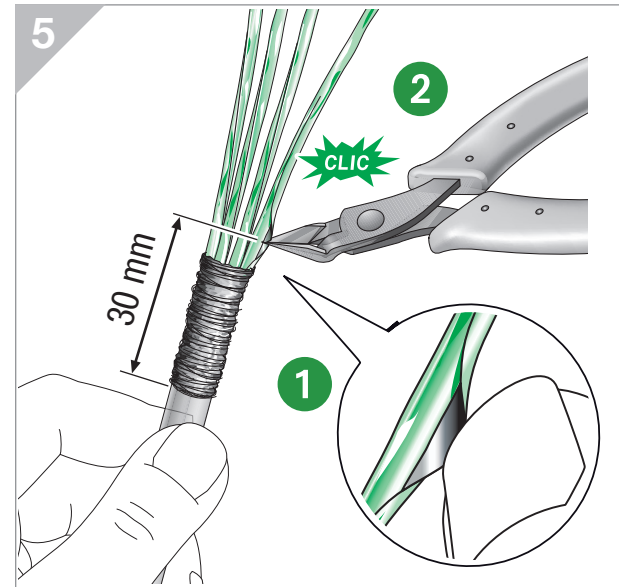
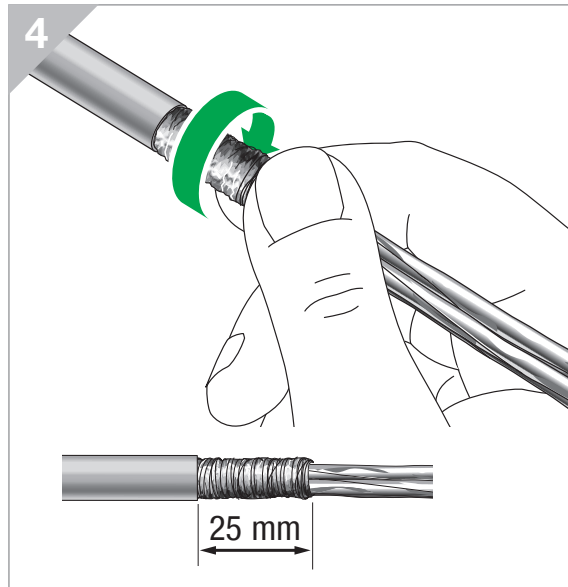
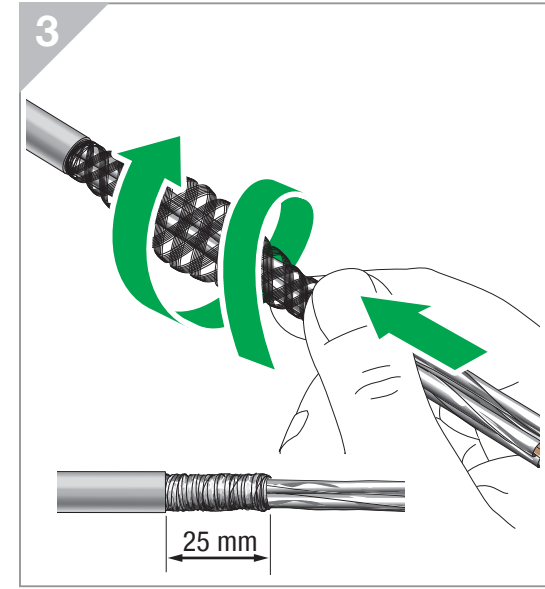
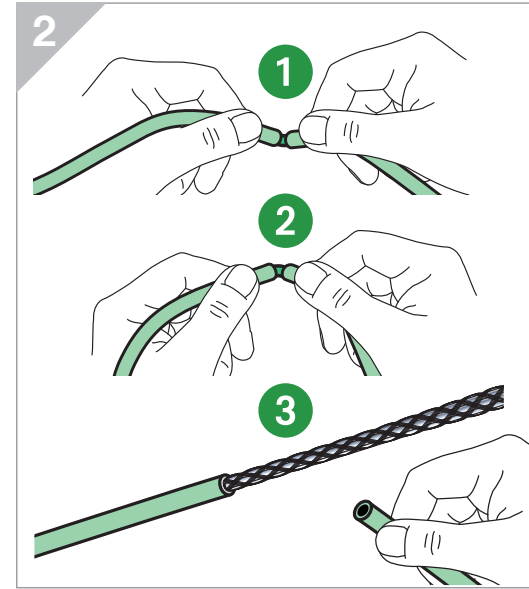
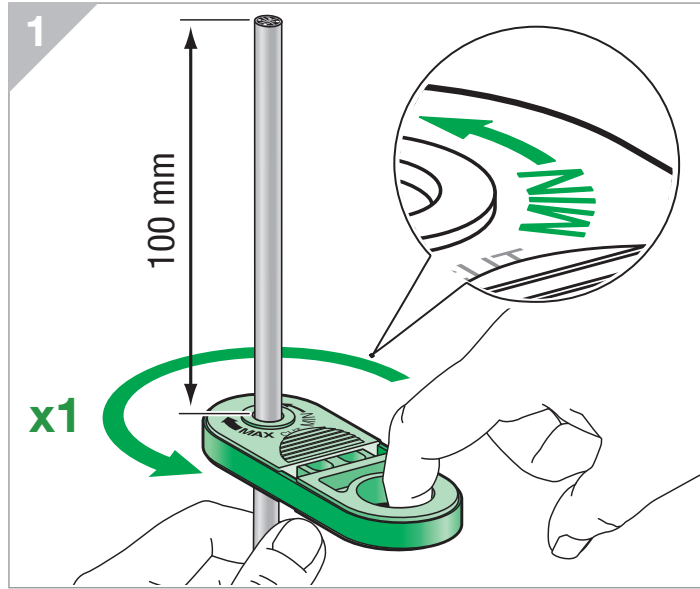
VDIR580020

x1



# Cable preparation

S/FTP

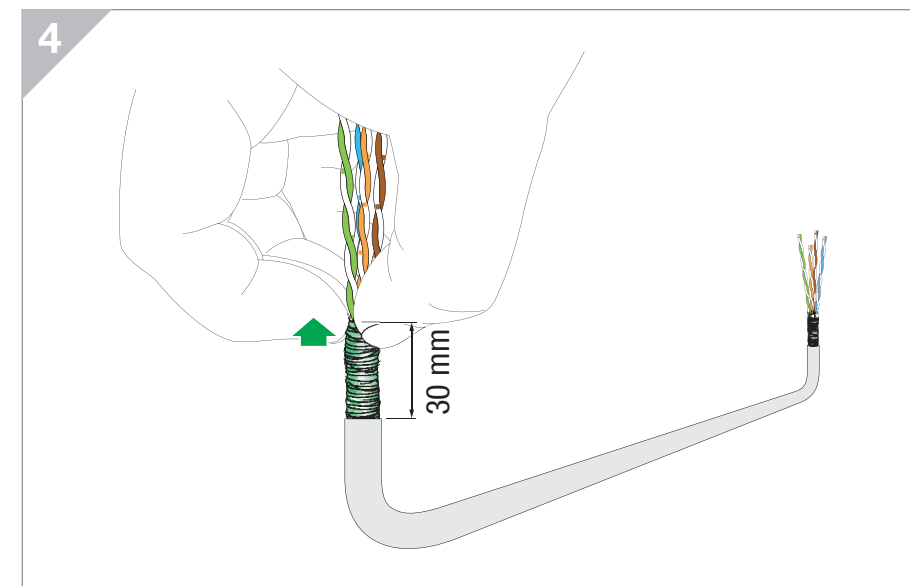
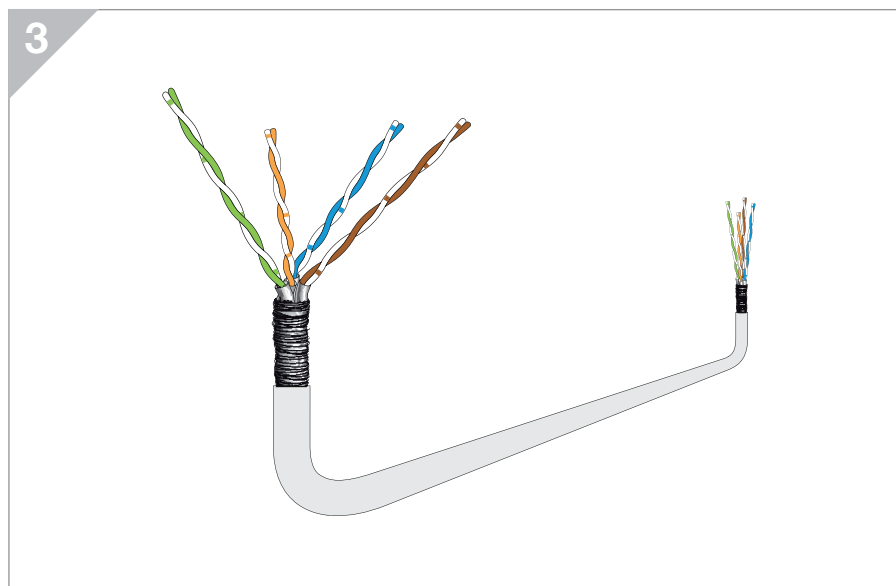
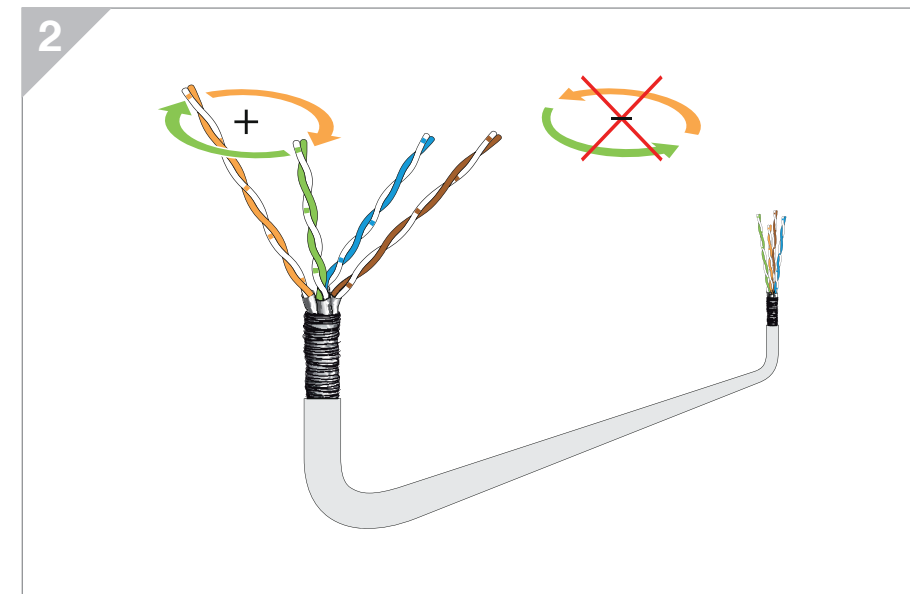
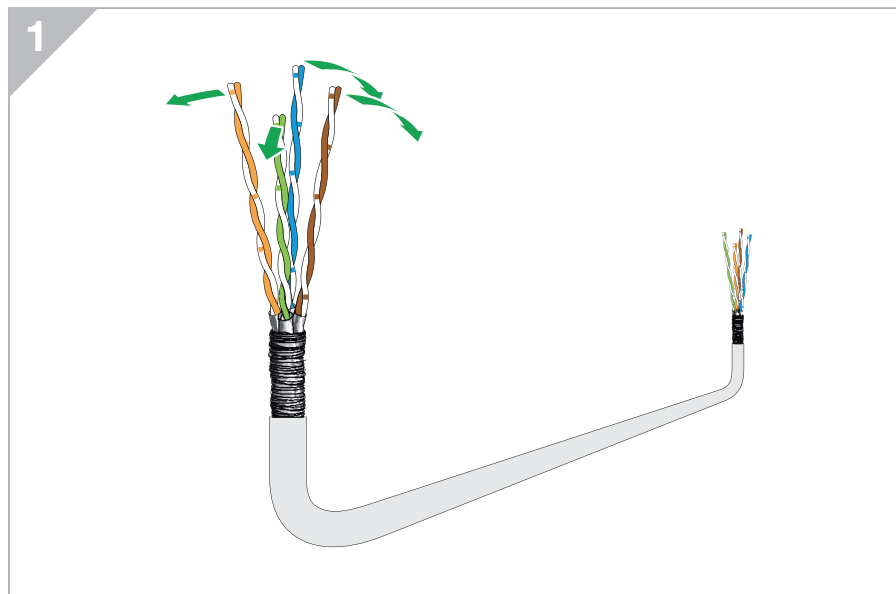
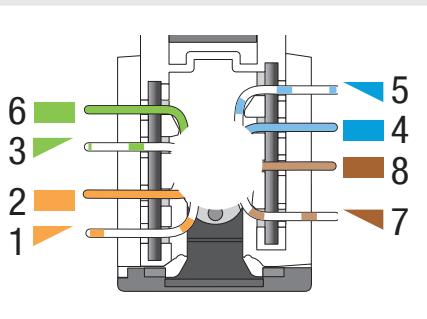


# Pairs crossing

## S/FTP

How to prepare a S/FTP cable with EIA-TIA 568B to reach high performance

### EIA-TIA 568B (100Ω)

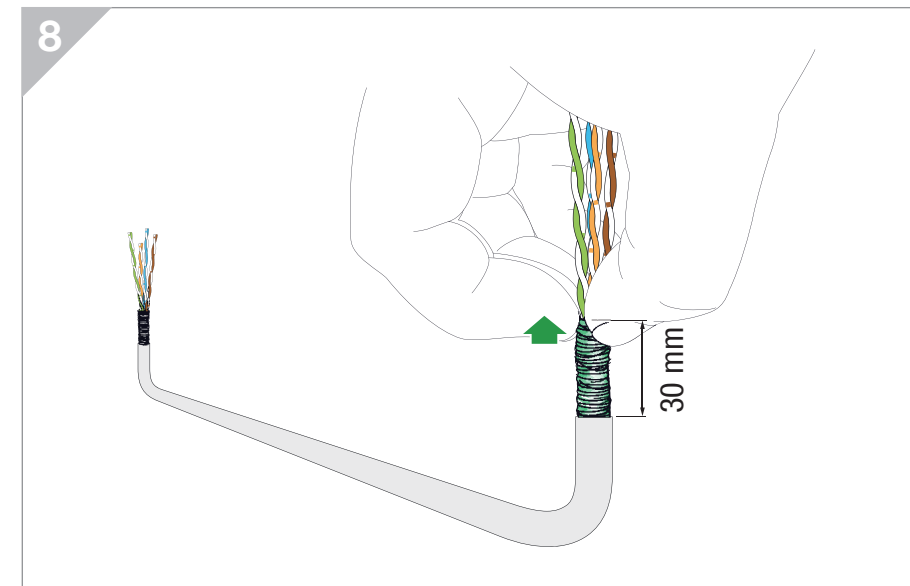
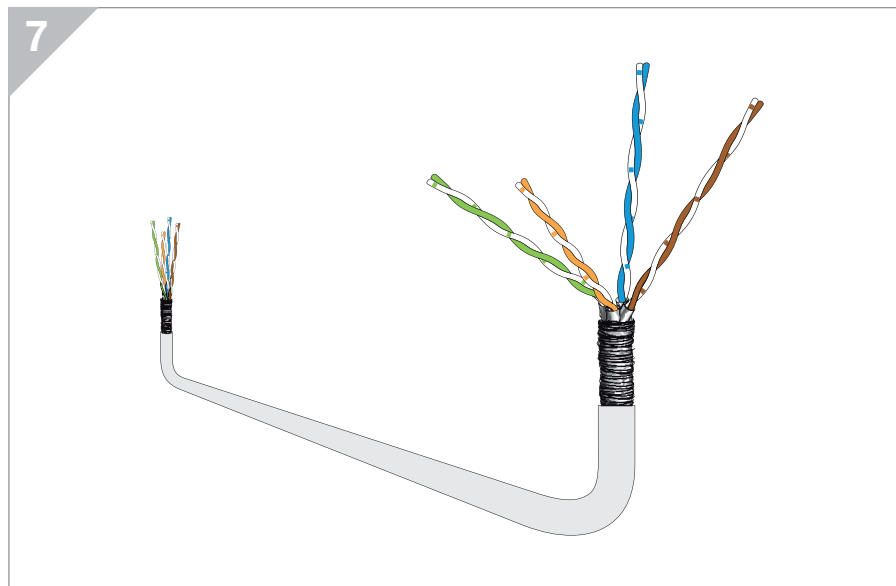
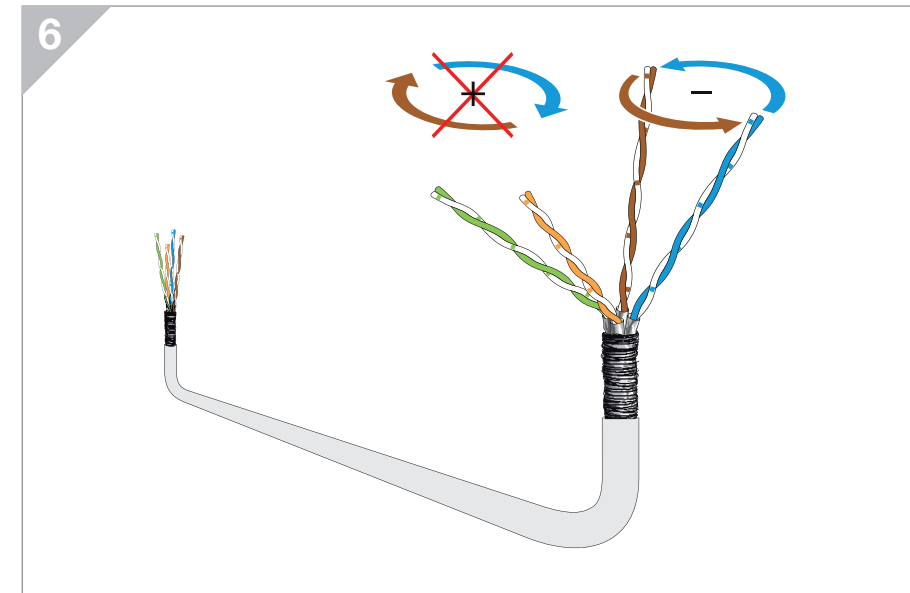
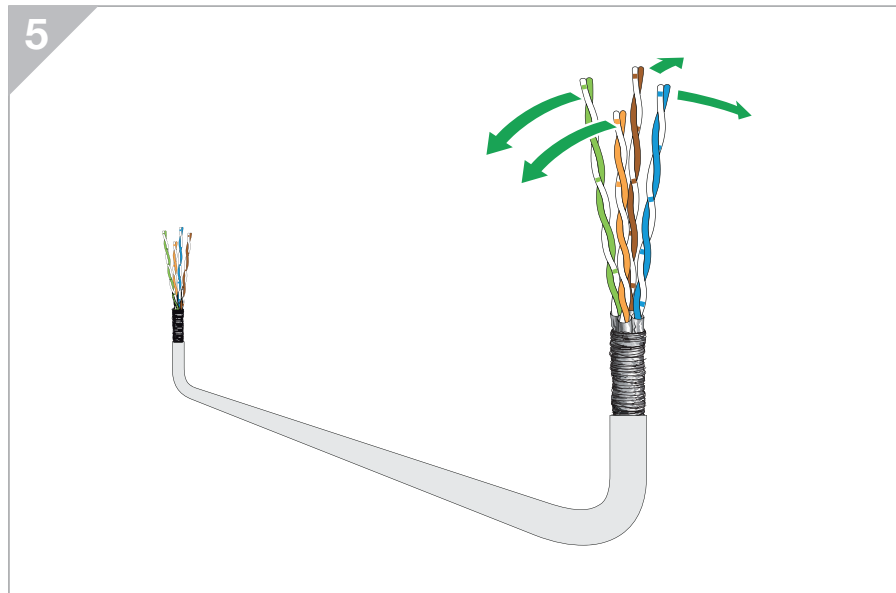
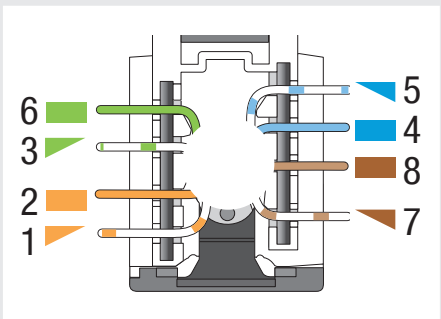


# Pairs crossing

## S/FTP

How to prepare a S/FTP cable with EIA-TIA 568B to reach high performance

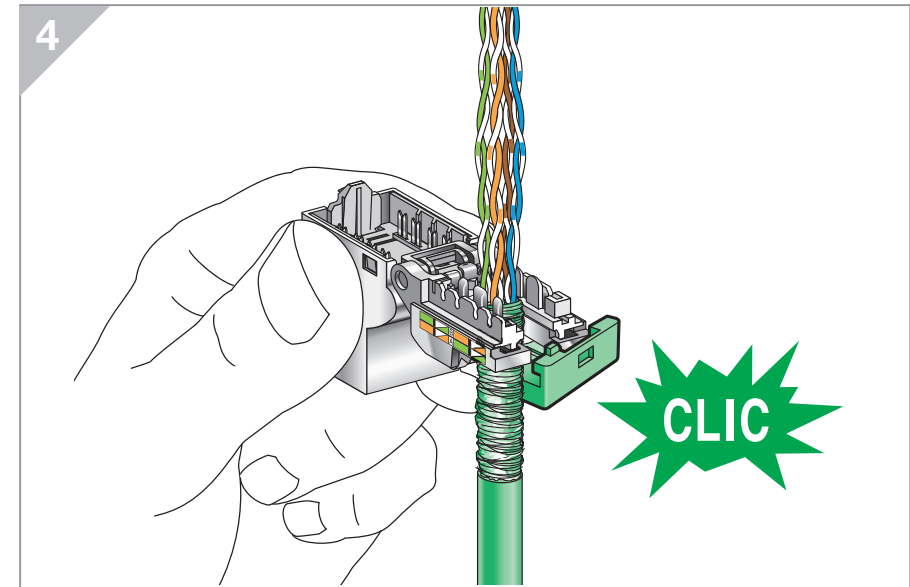
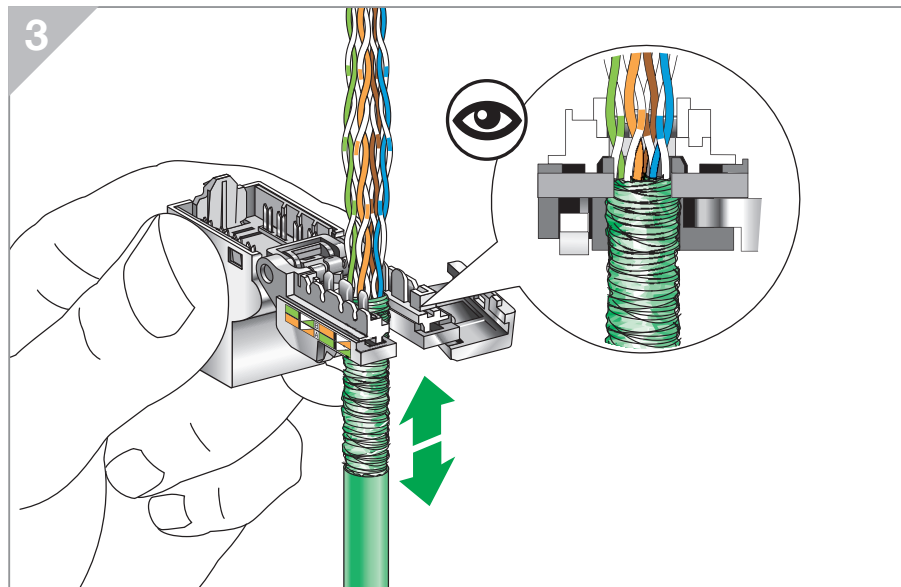
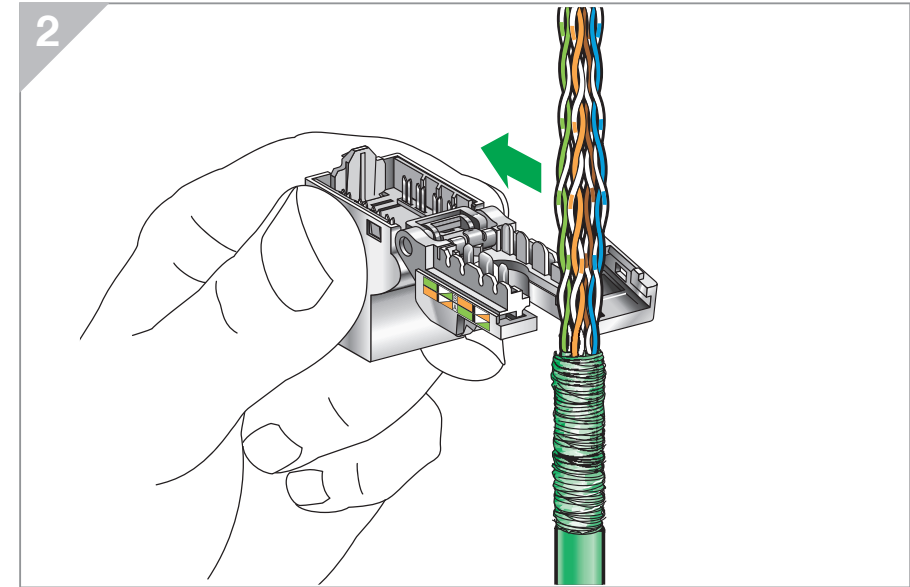
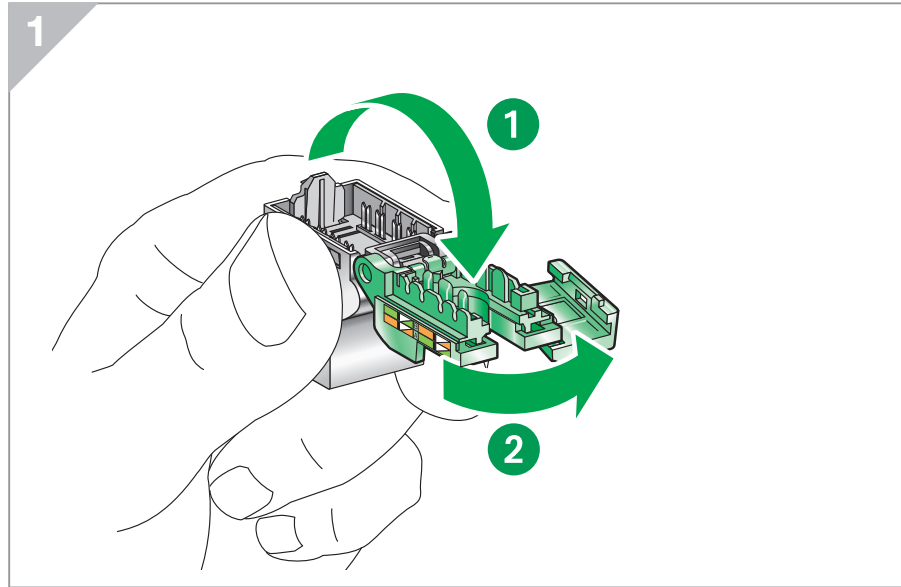
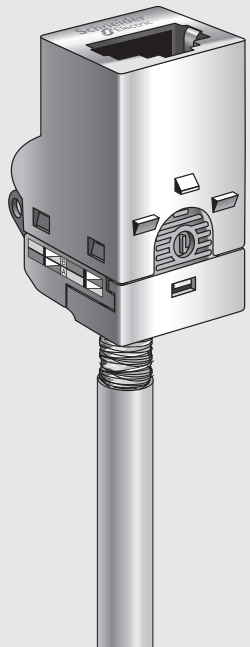
### EIA-TIA 568B (100Ω)





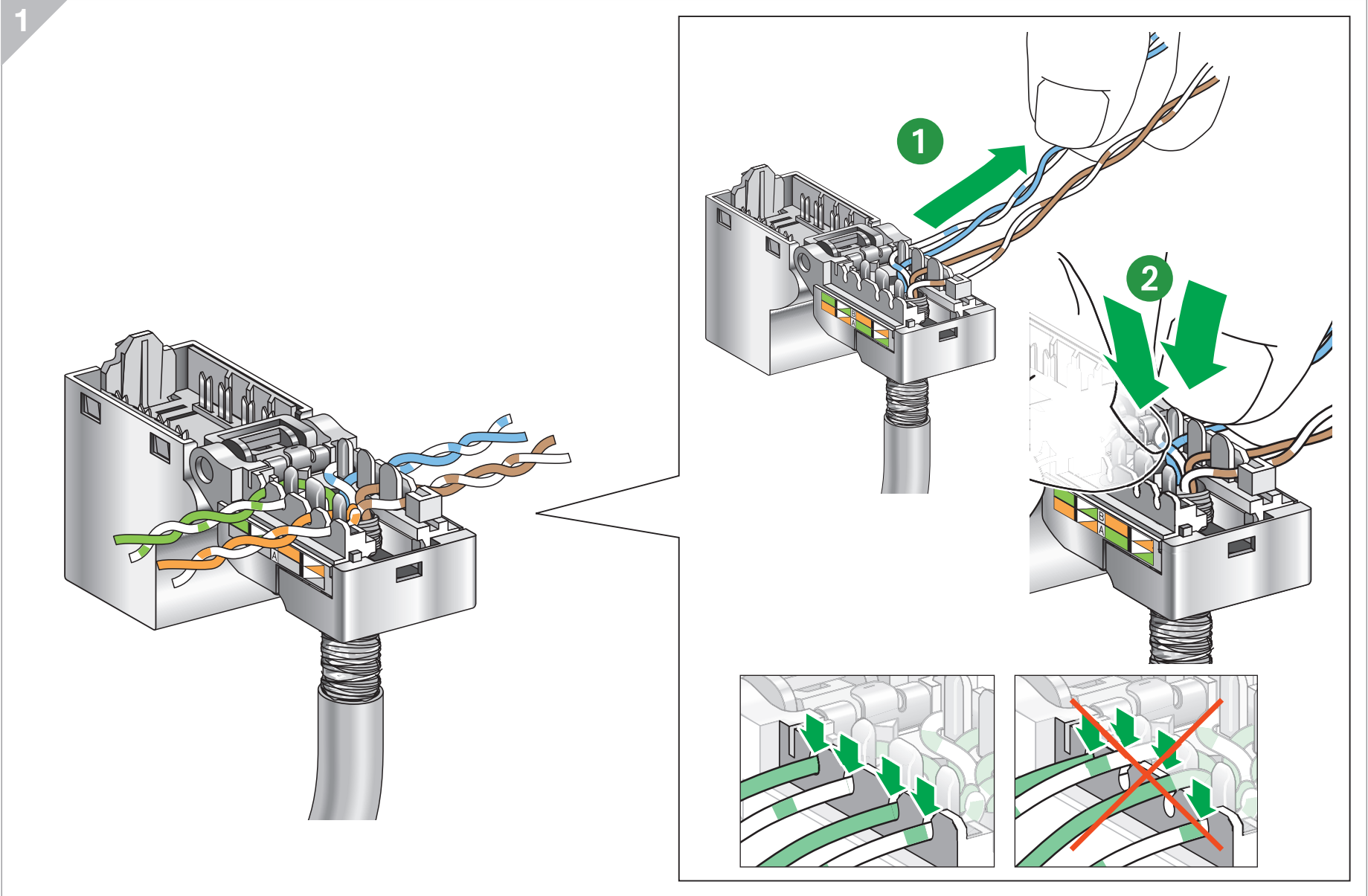
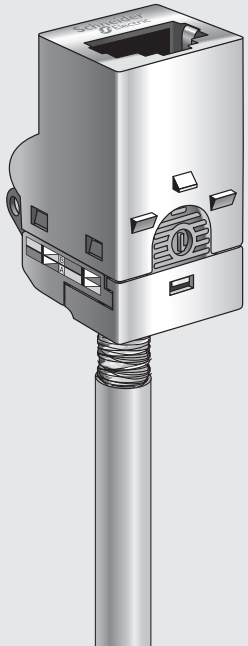
# Connector wiring

S/FTP



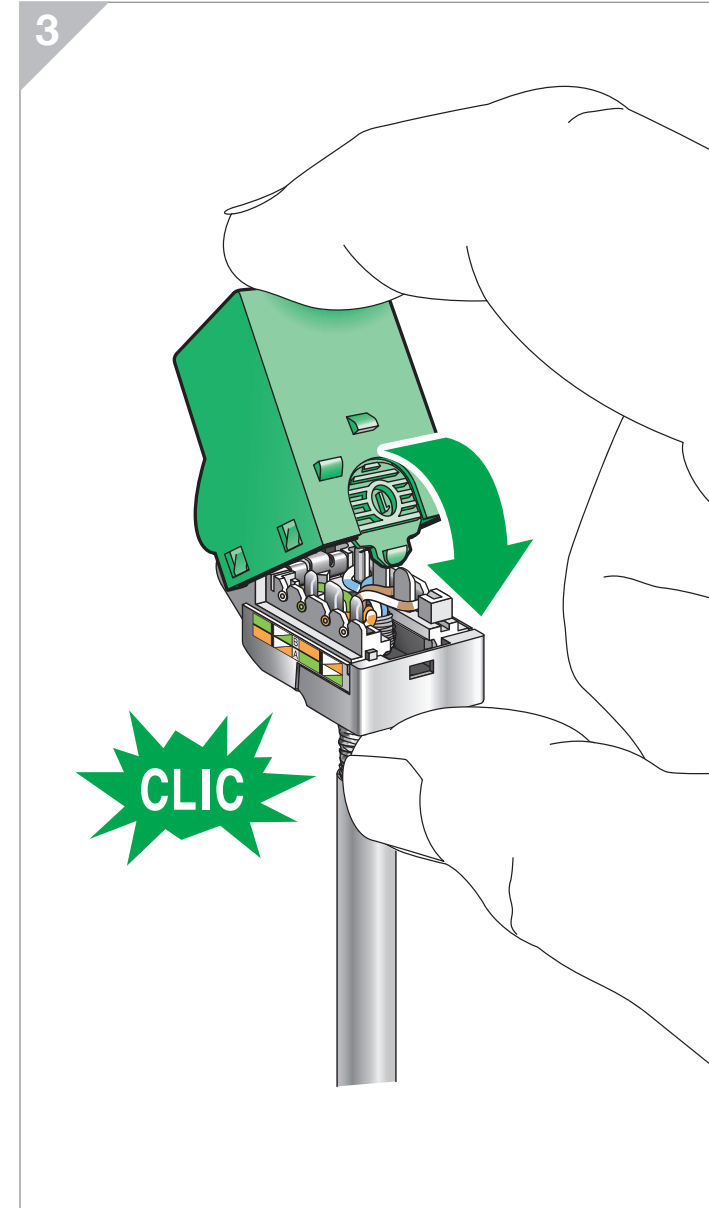
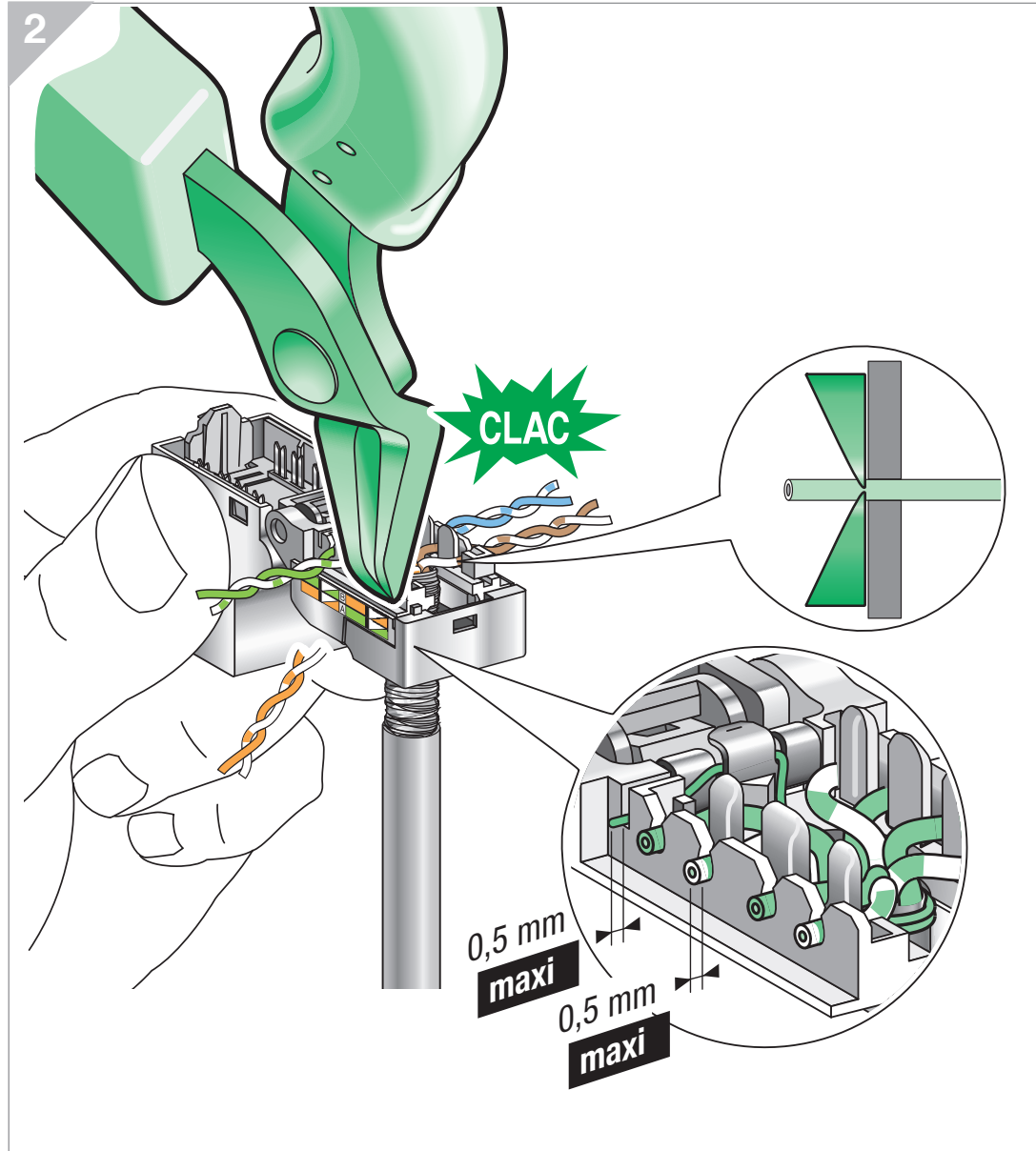
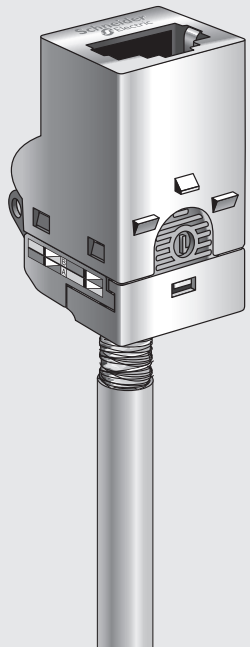
# Connector connection

S/FTP



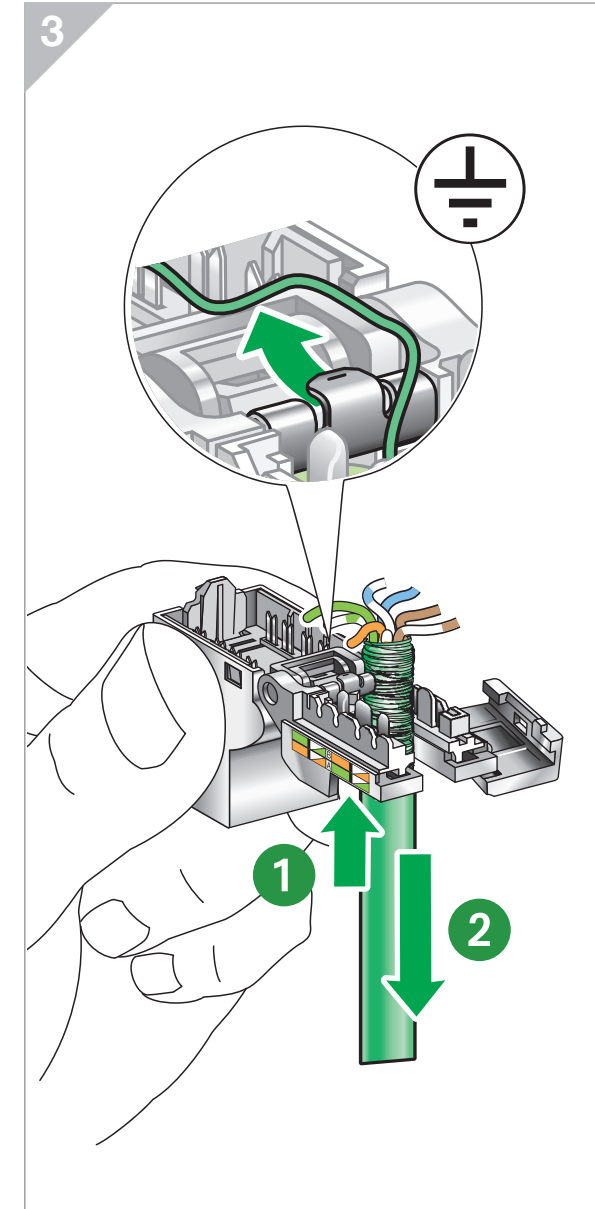
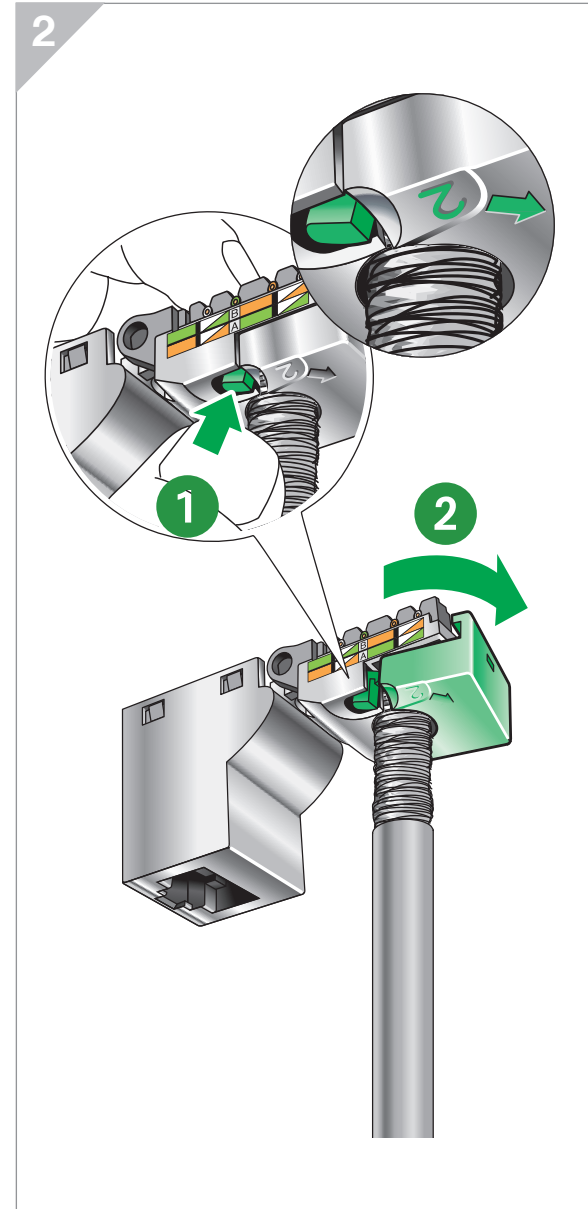
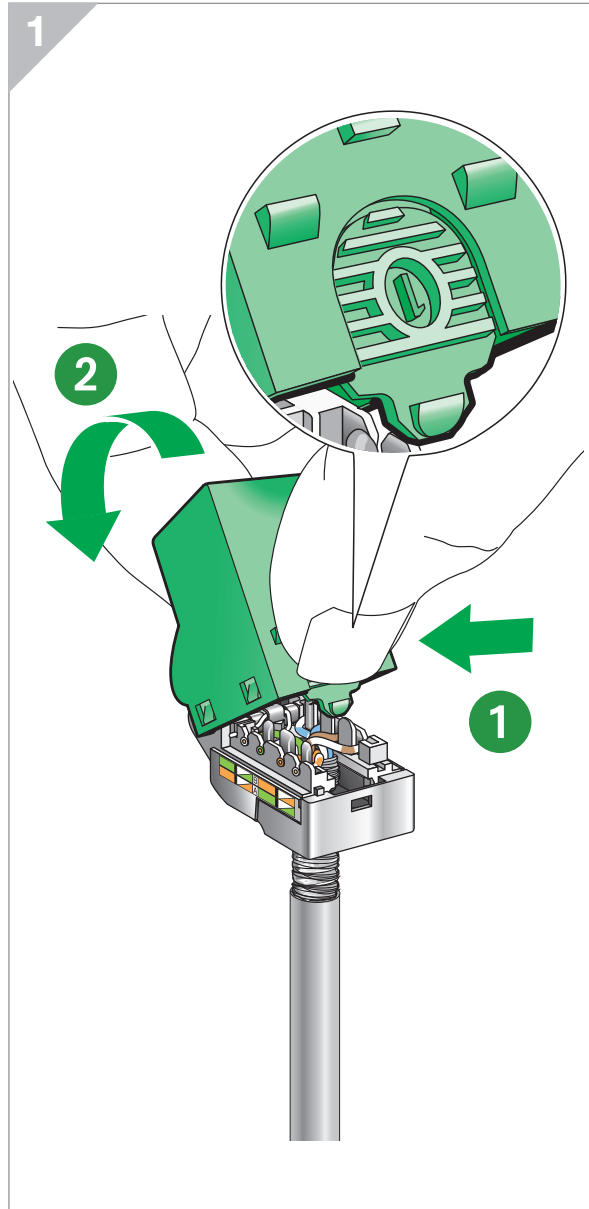
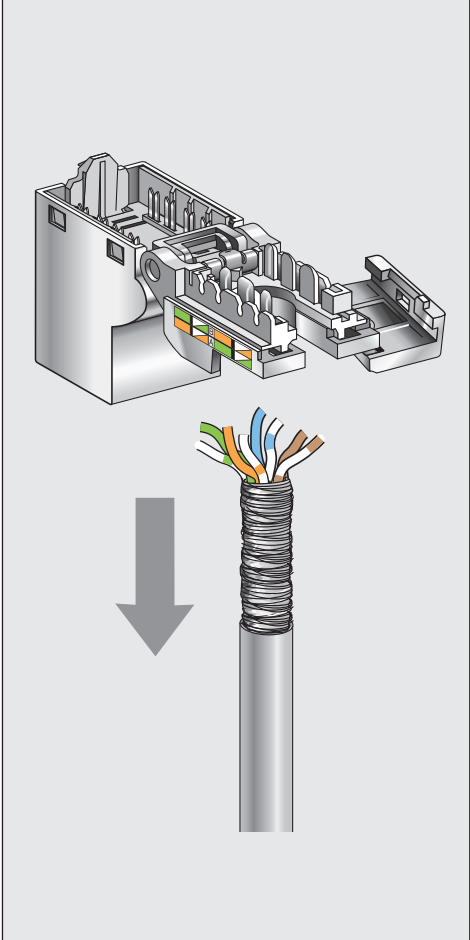
# Connector connection

S/FTP

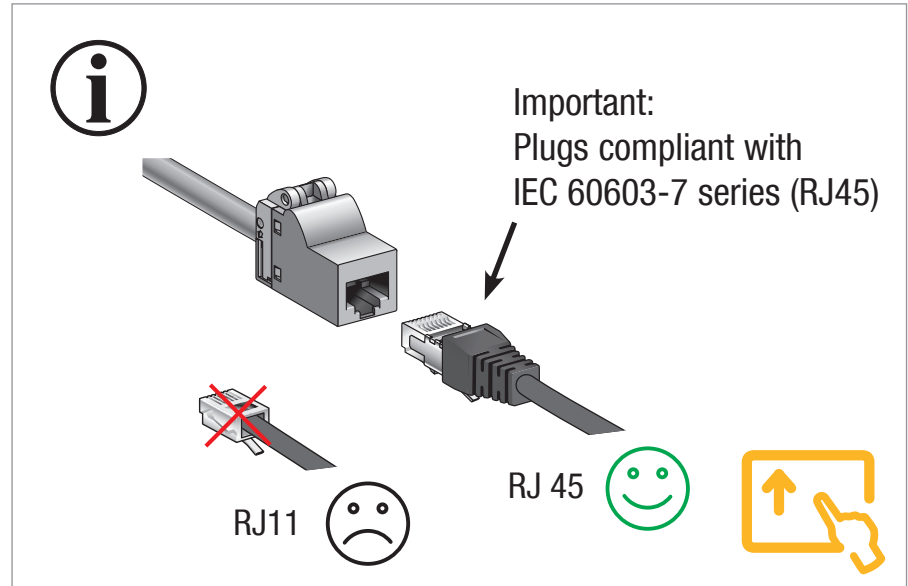
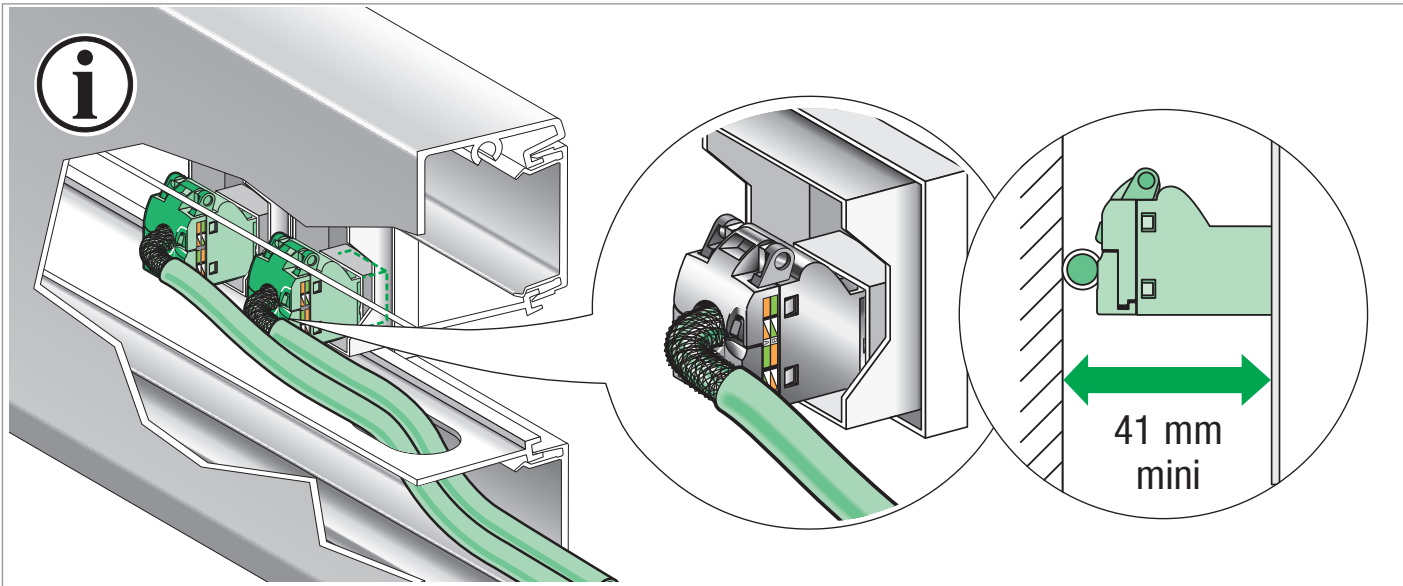
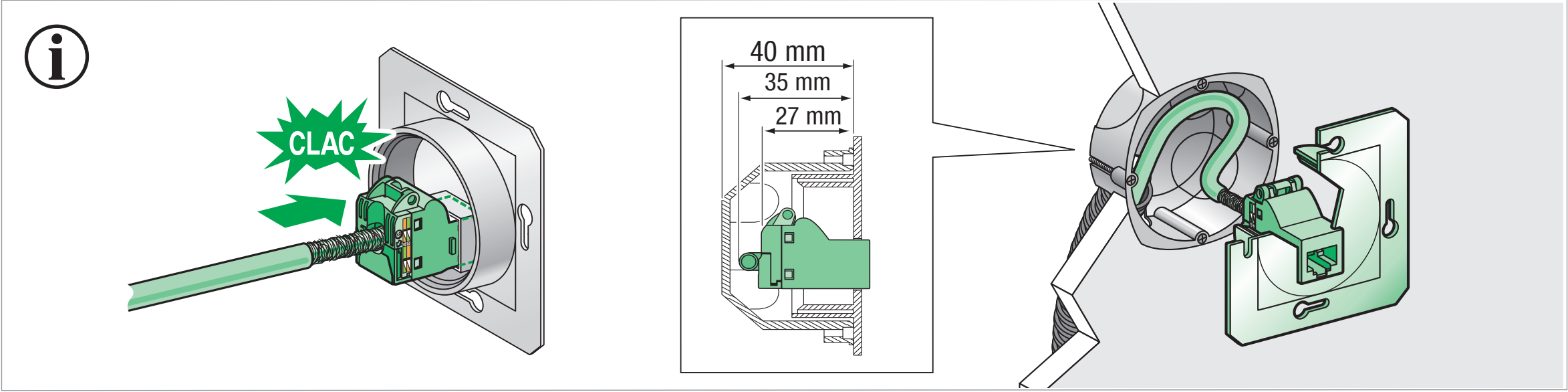


# Connector disconnection

## S/FTP



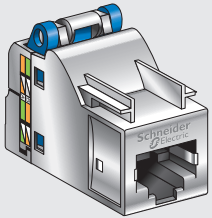
# ≡ Actassi S-One & S-One DPM shielded connectors - S/FTP cable



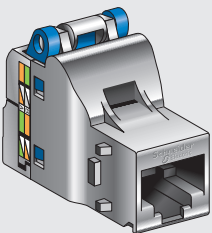
# Composition

## Shielded connector

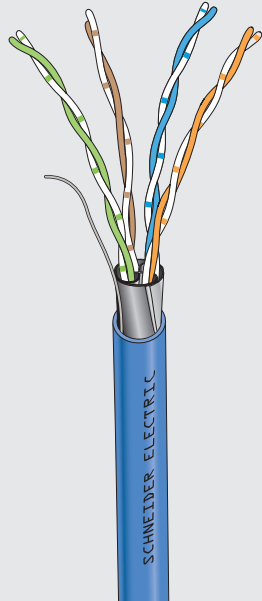
S-One



S-One DPM

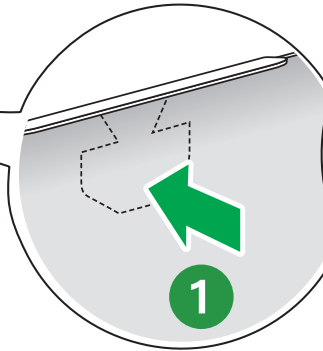
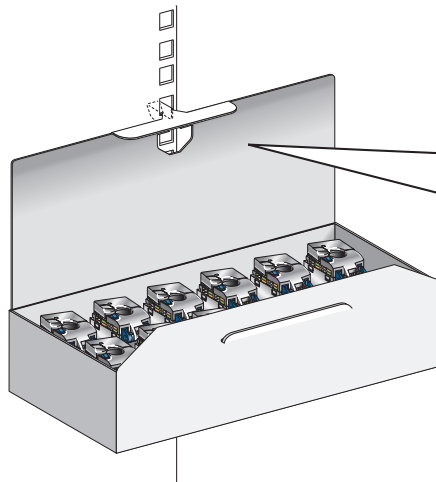
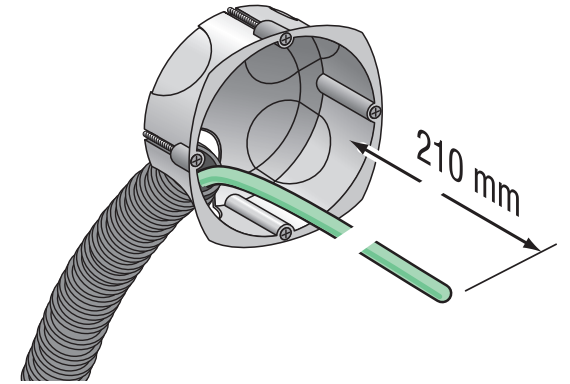


## CLMX F/FTP



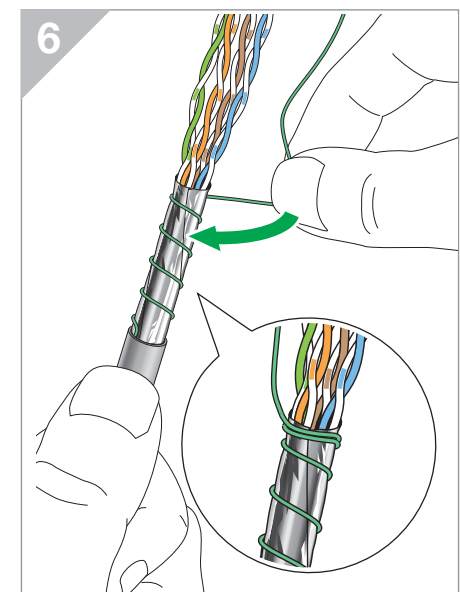
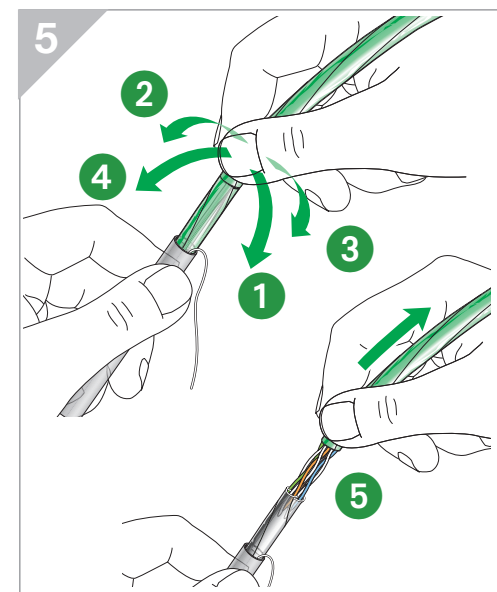
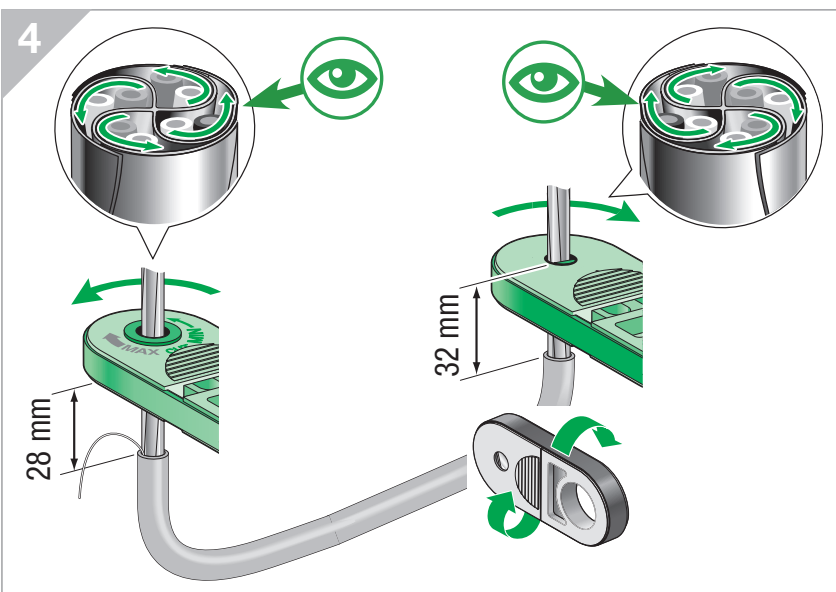
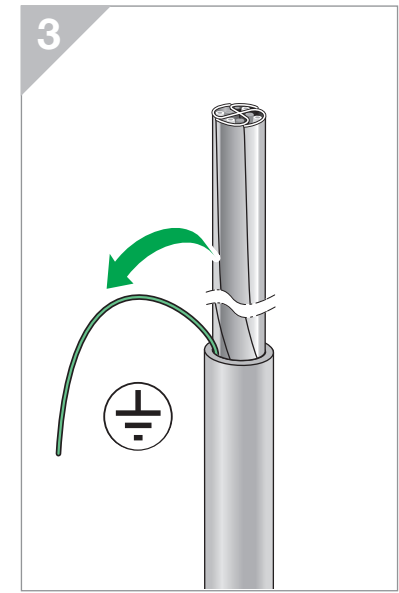
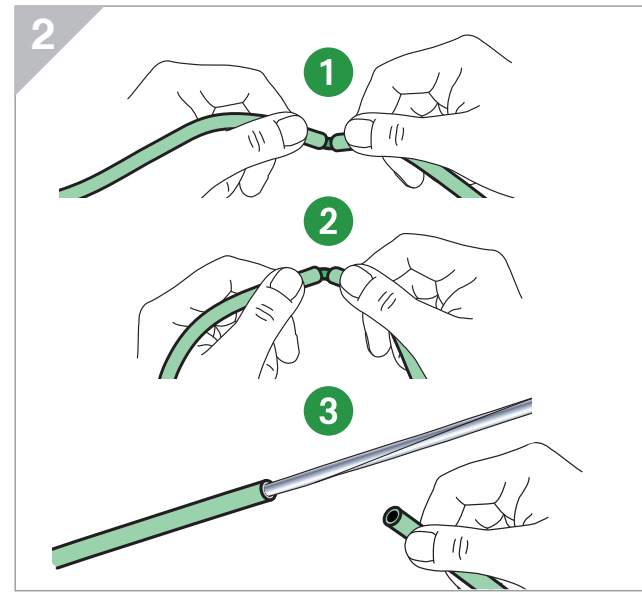
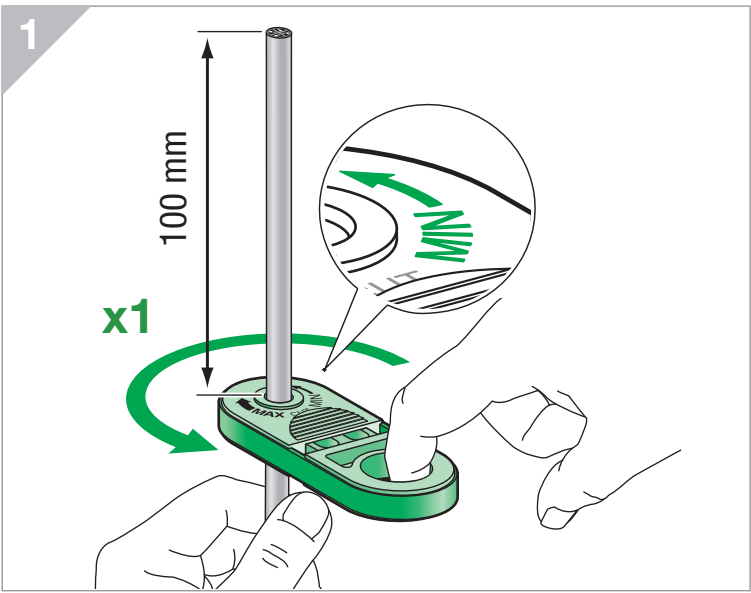
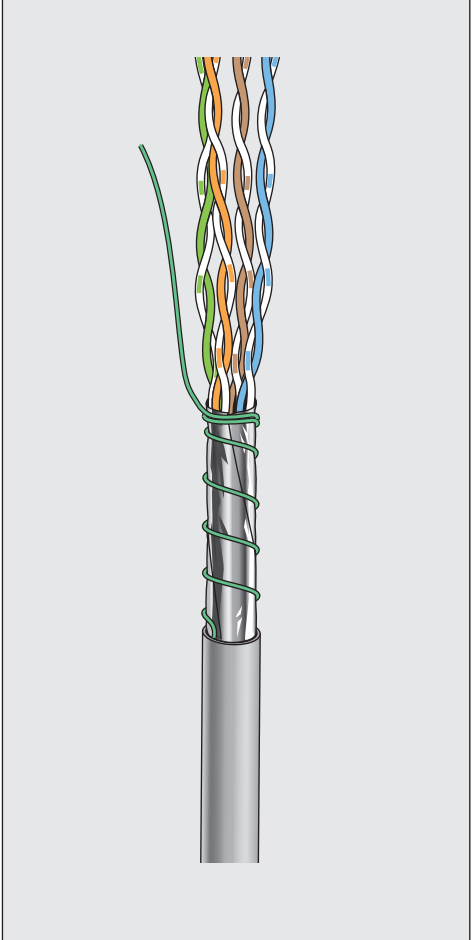
VDIR580020

x1



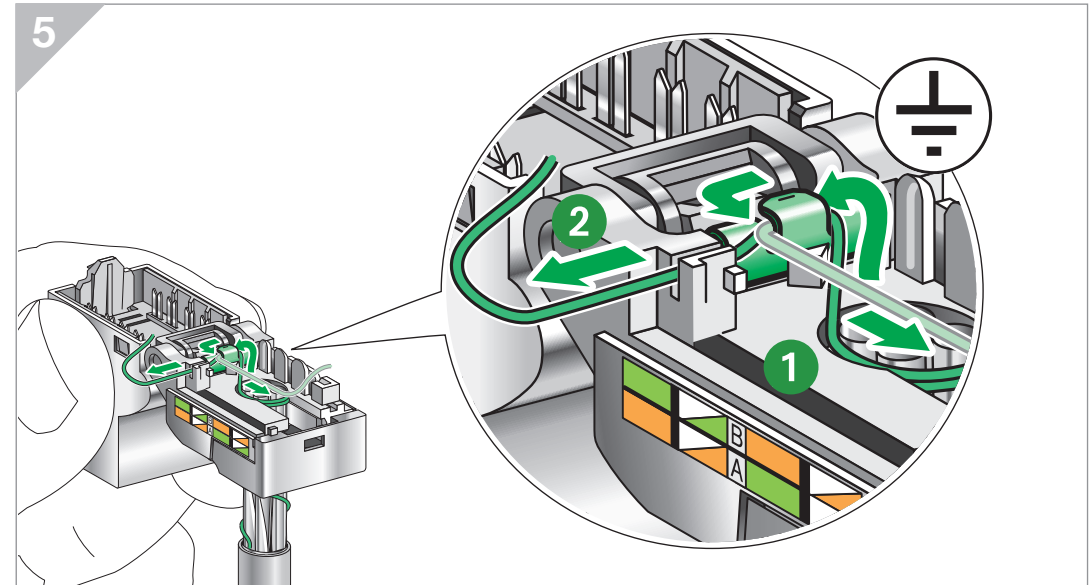
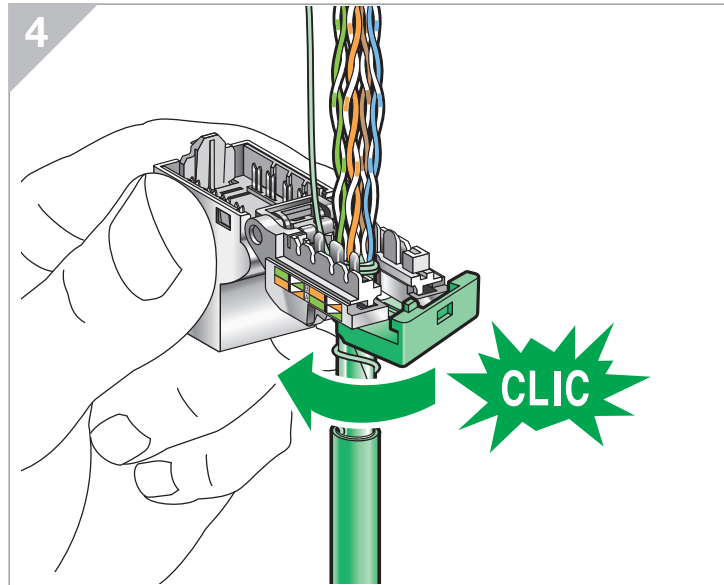
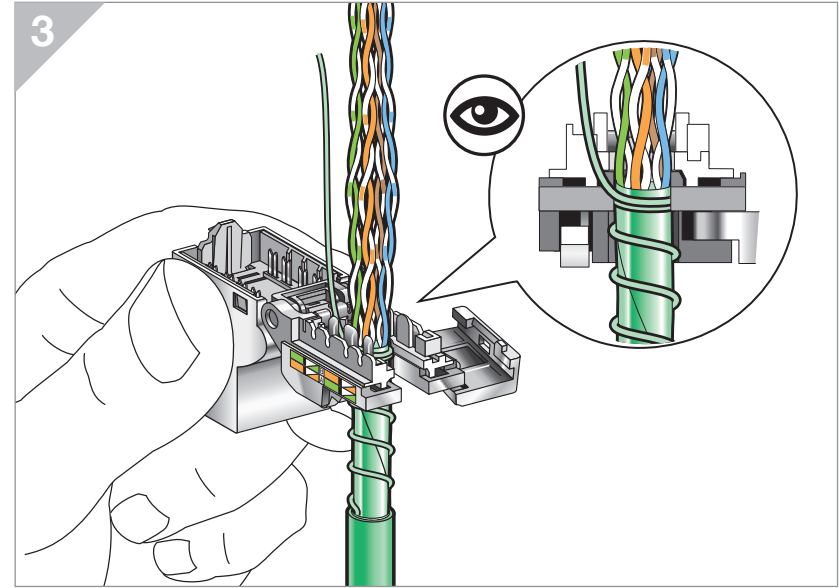
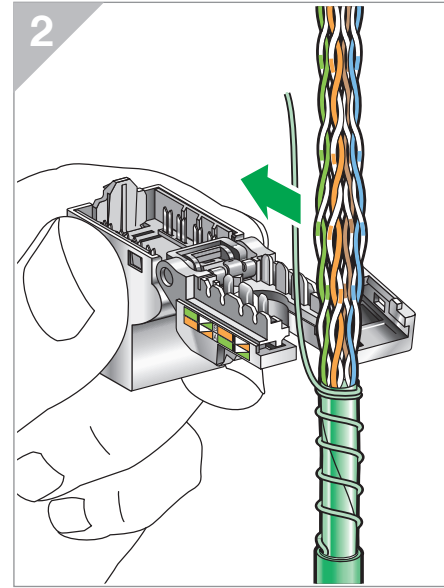
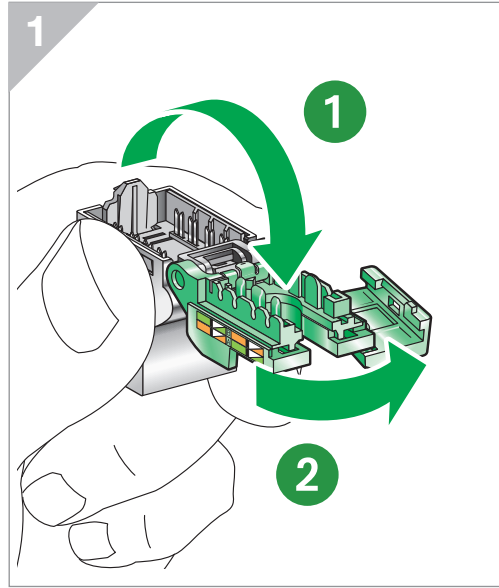
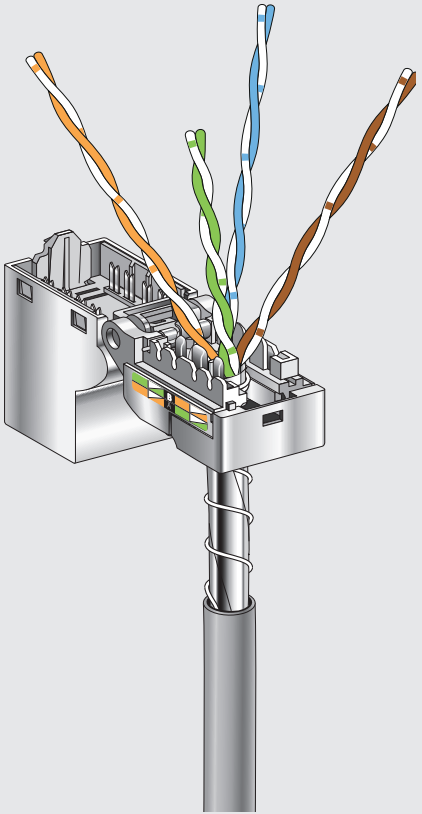
# Cable preparation

## CLMX



# Connector wiring

## CLMX



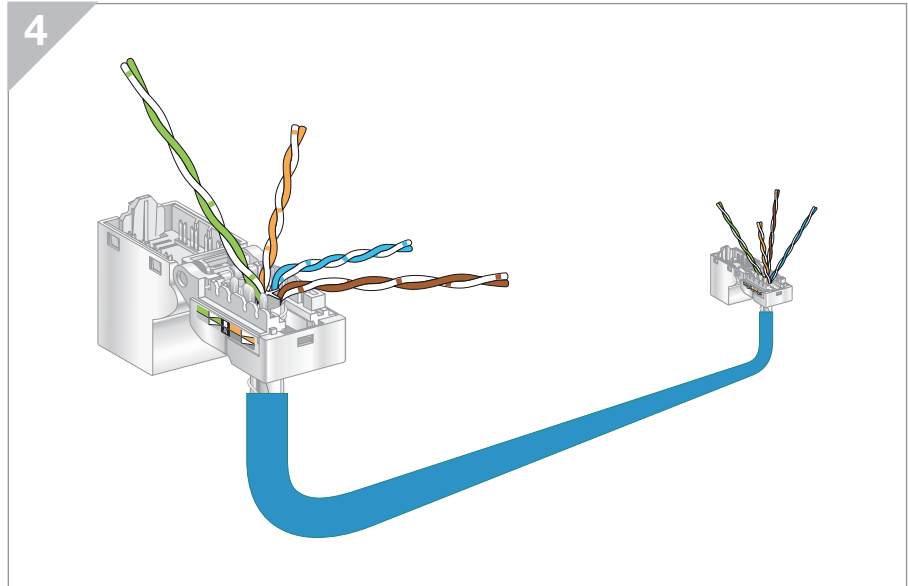
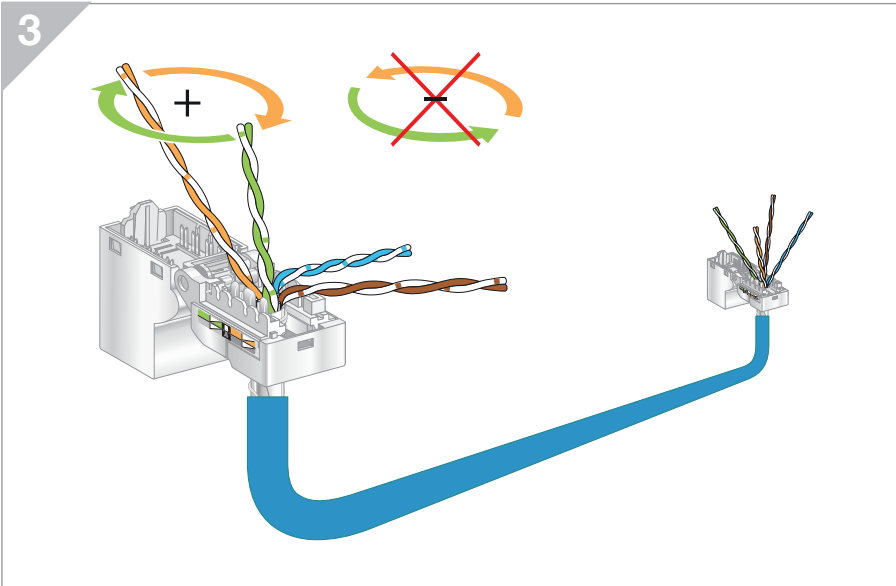
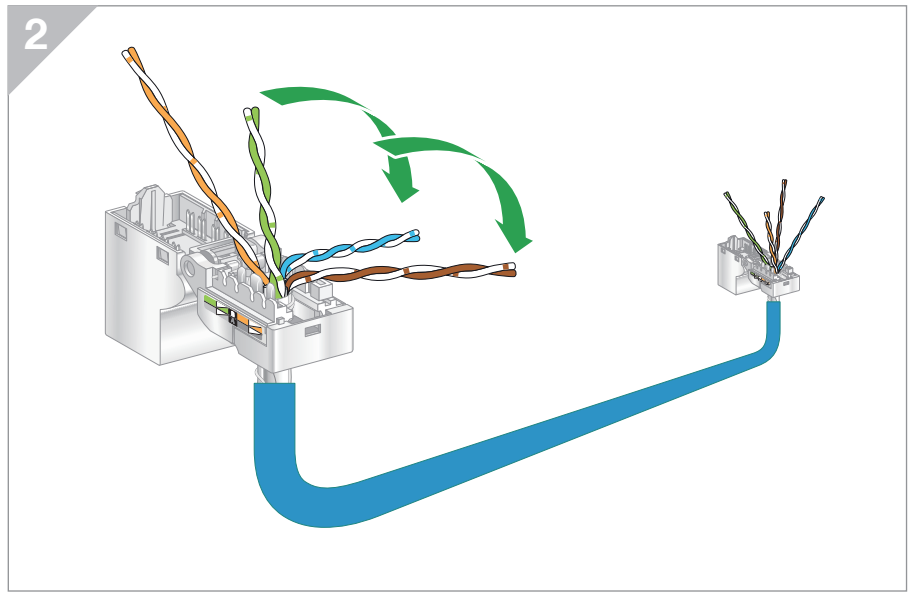
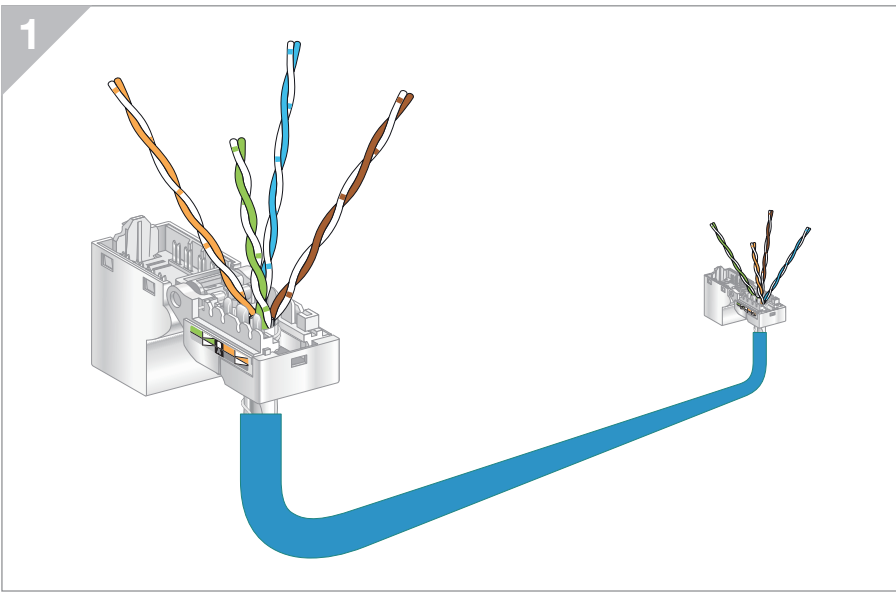
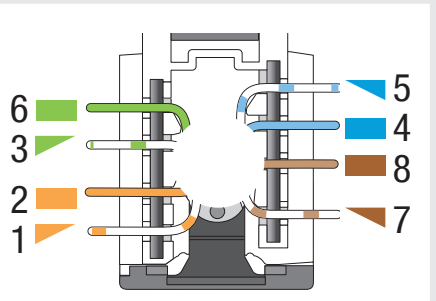


# Pairs crossing

## CLMX

How to prepare a CLMX cable with EIA-TIA 568B to reach high performance

EIA-TIA 568B (100Ω)

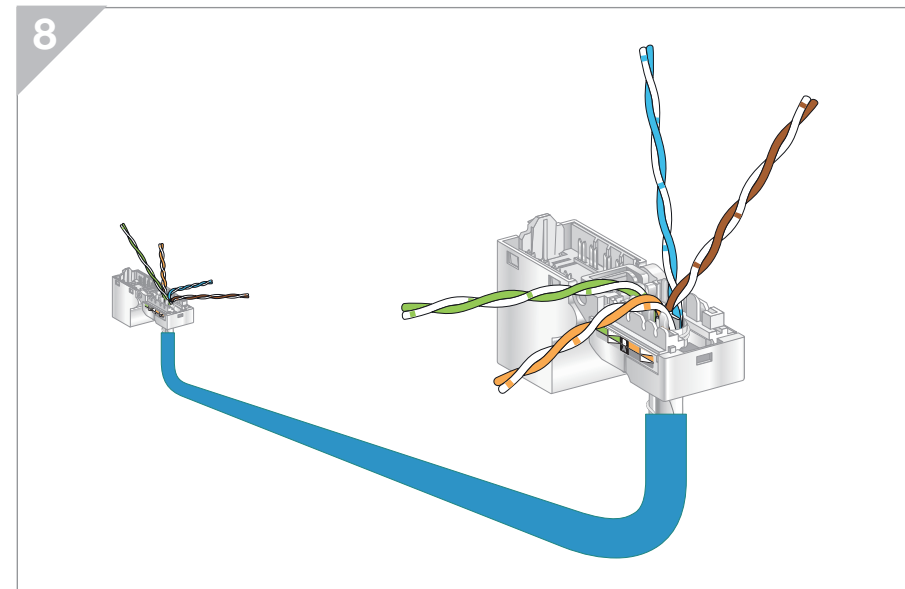
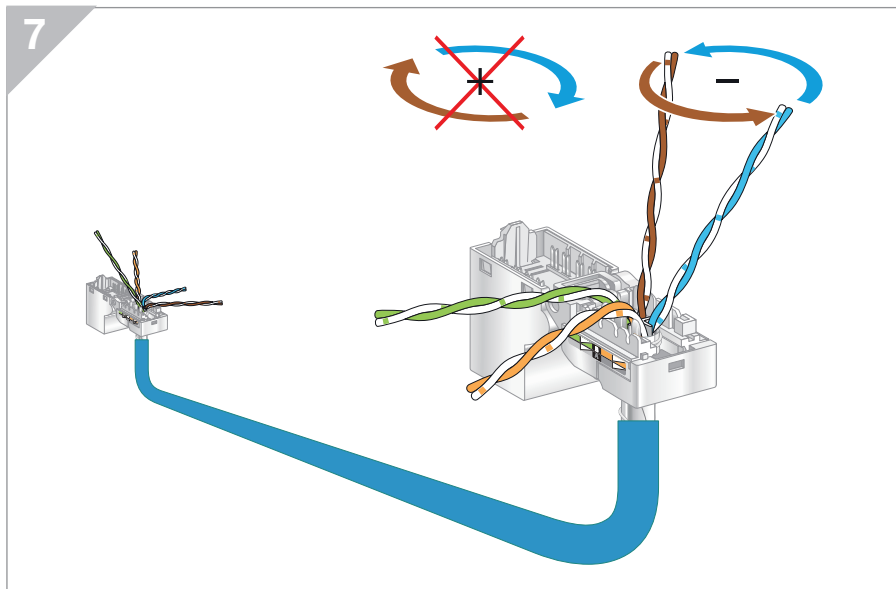
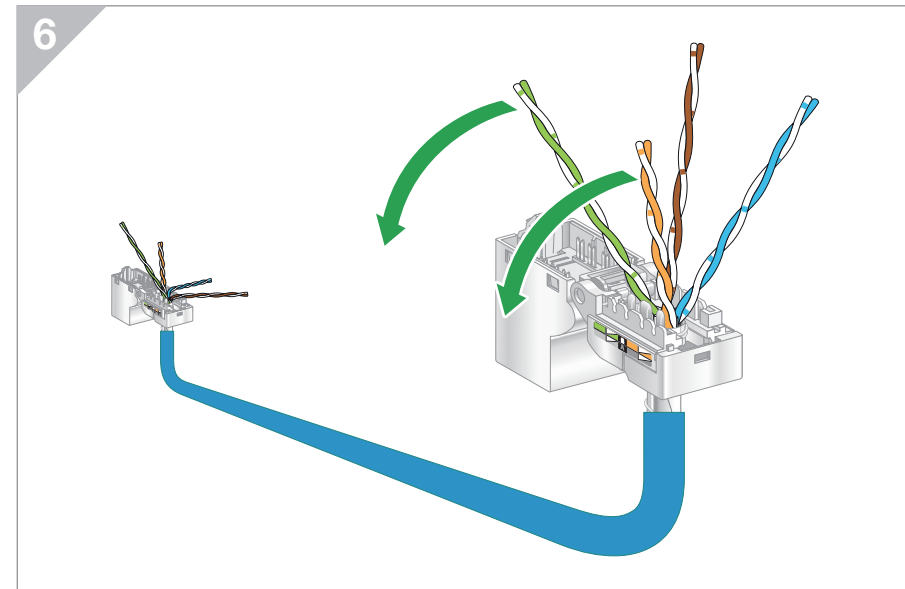
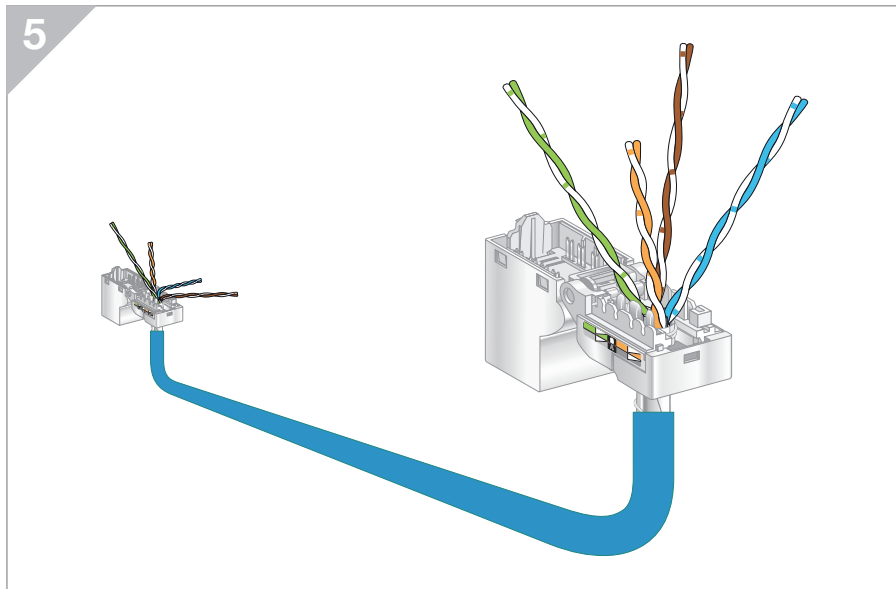
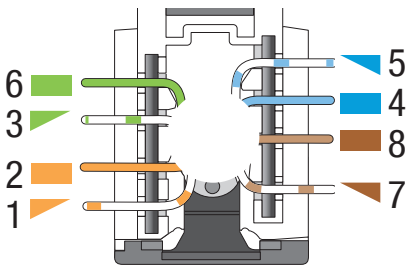


# Pairs crossing

## CLMX

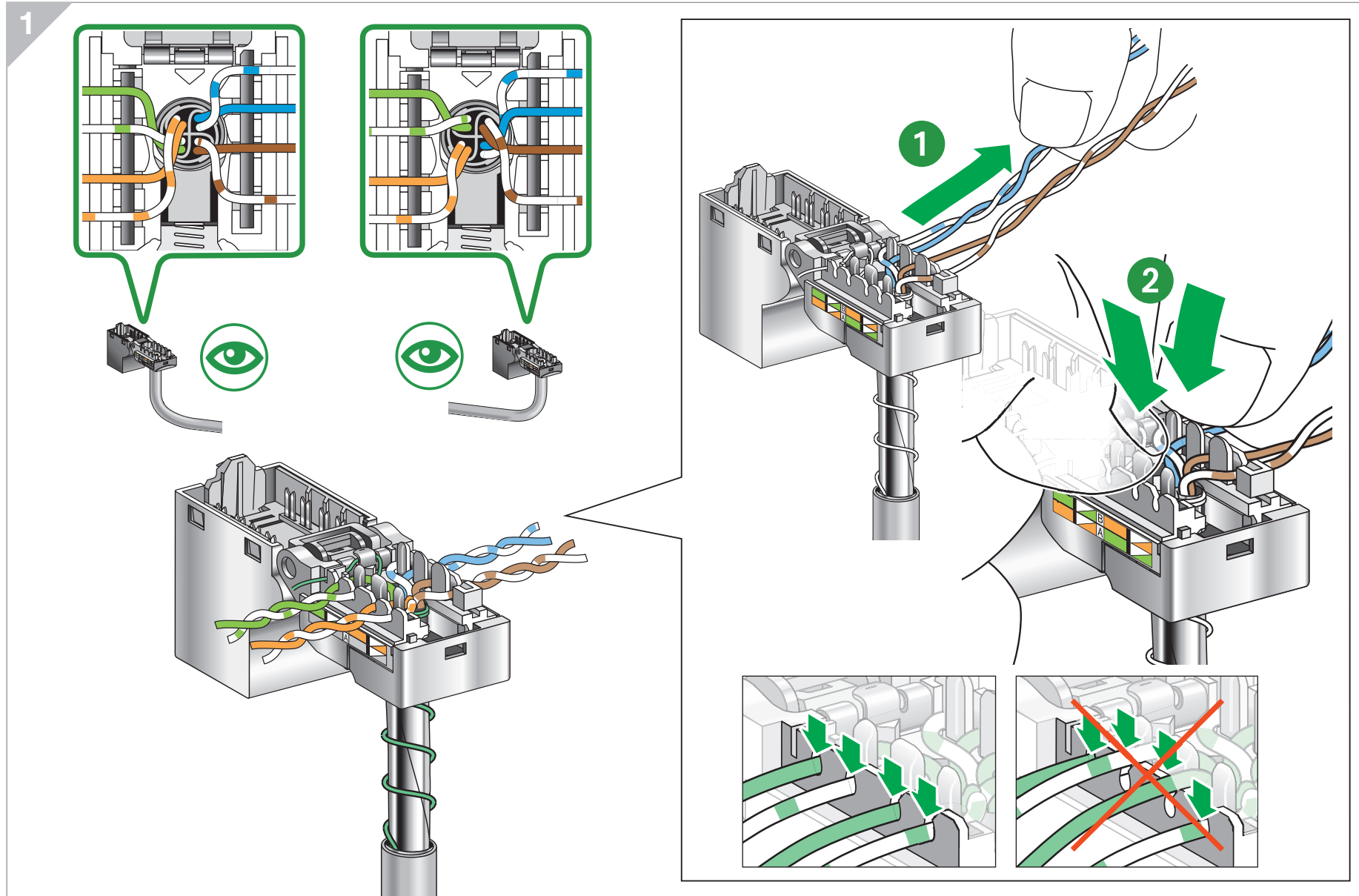
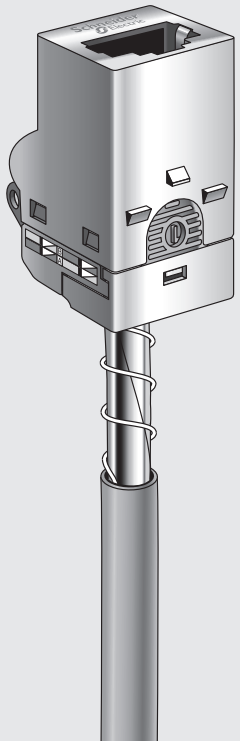
How to prepare a CLMX cable with EIA-TIA 568B to reach high performance

EIA-TIA 568B (100Ω)



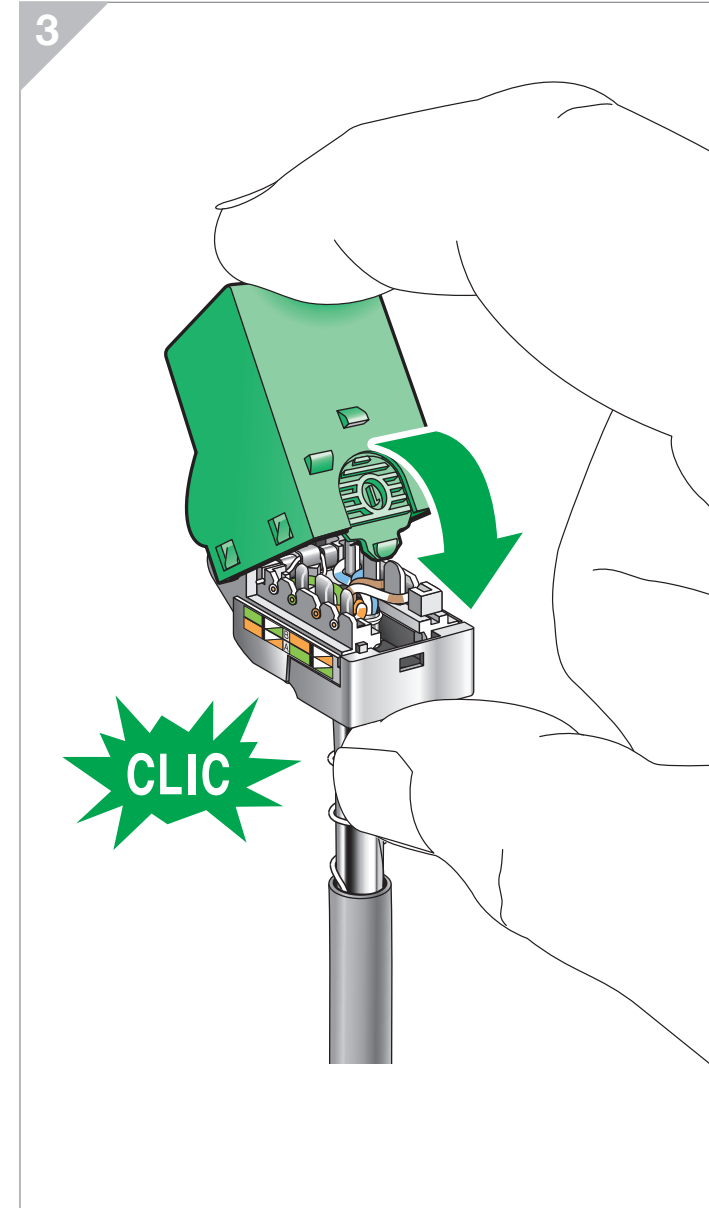
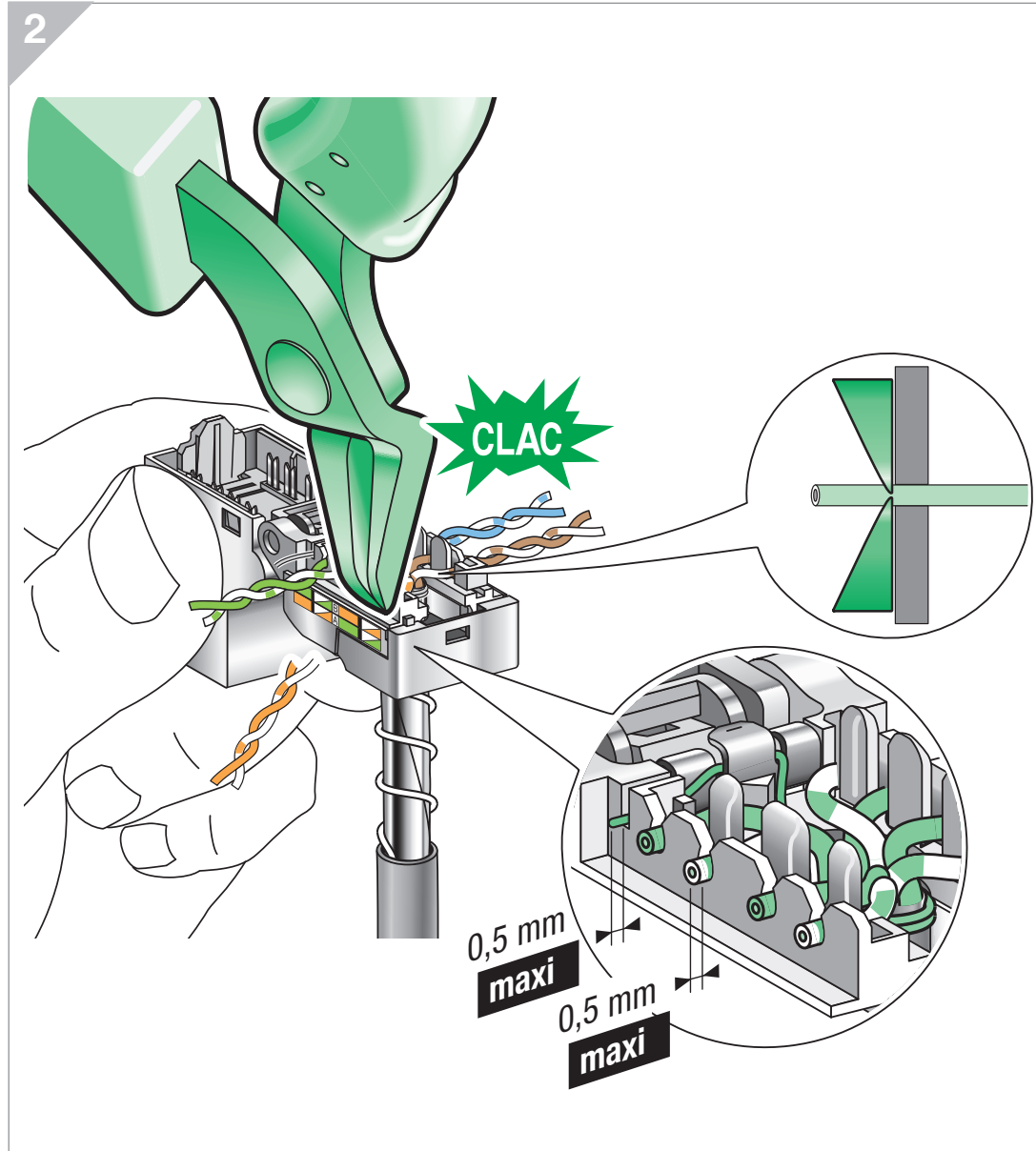
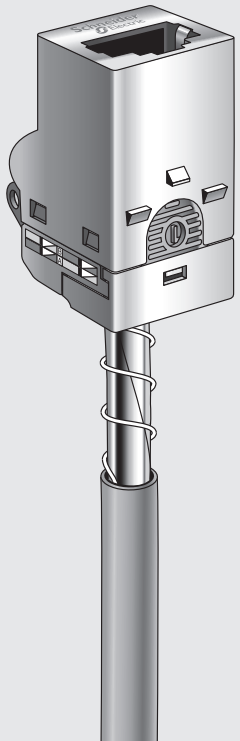
# Connector connection

## CLMX



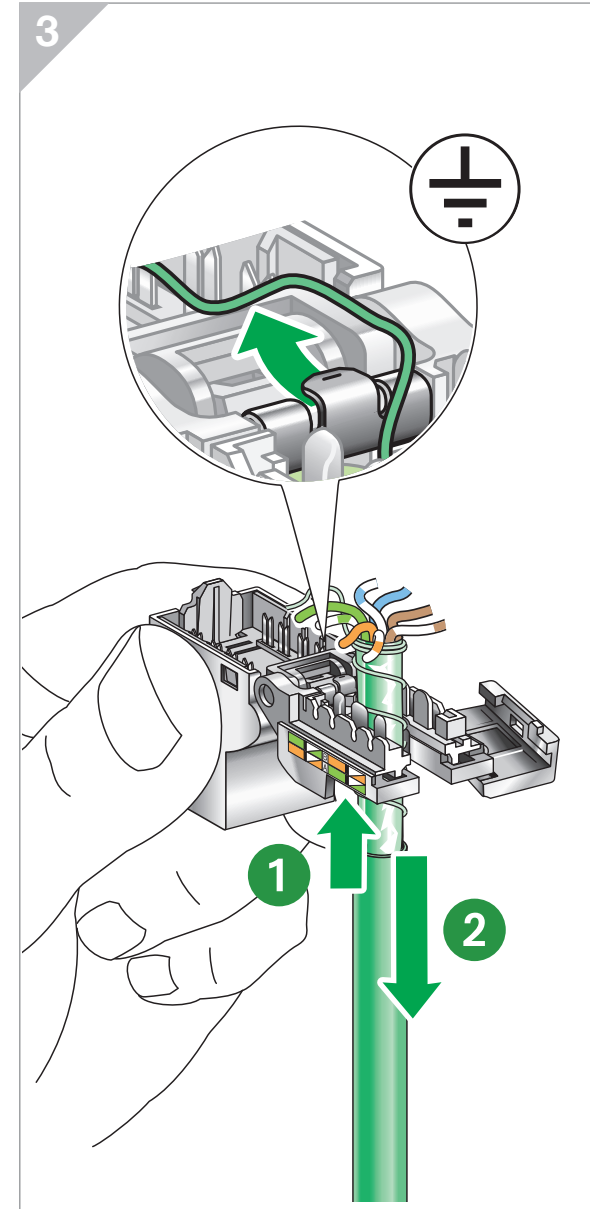
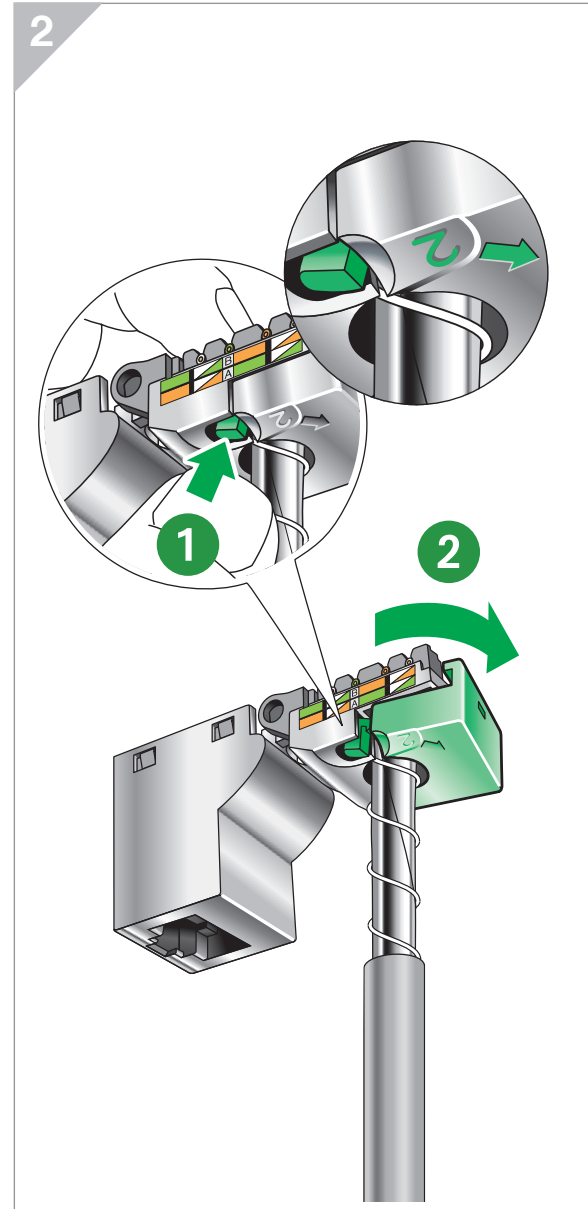
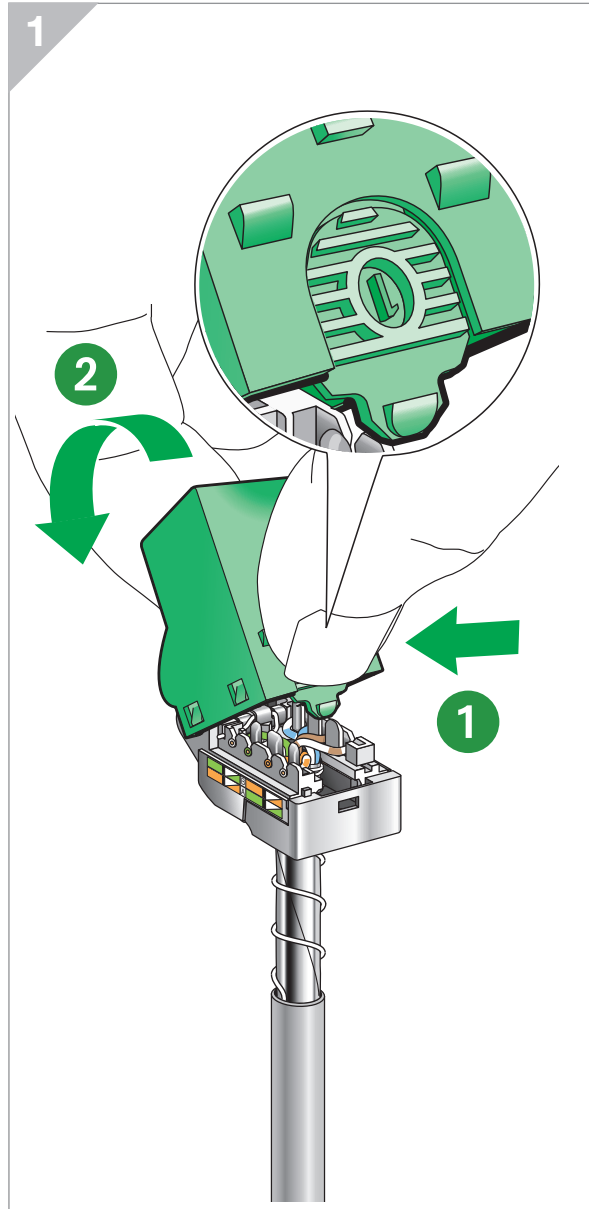
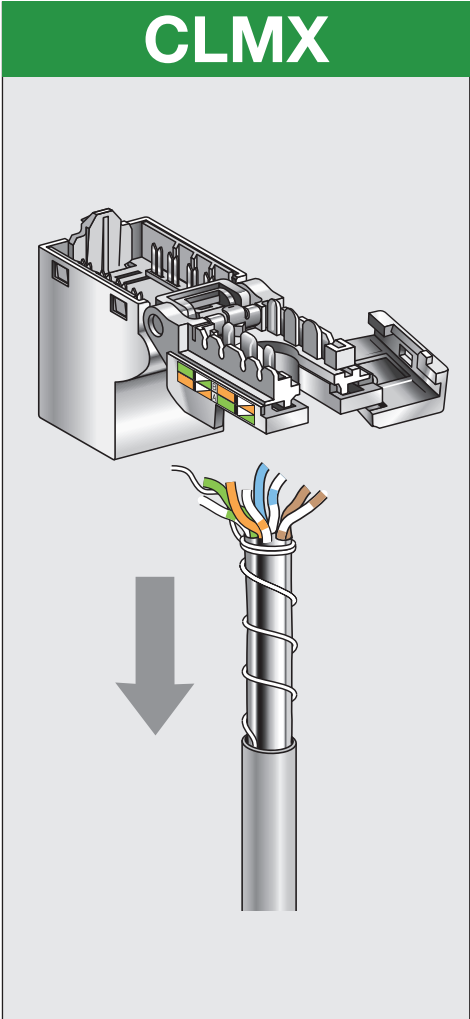
# Connector connection

## CLMX

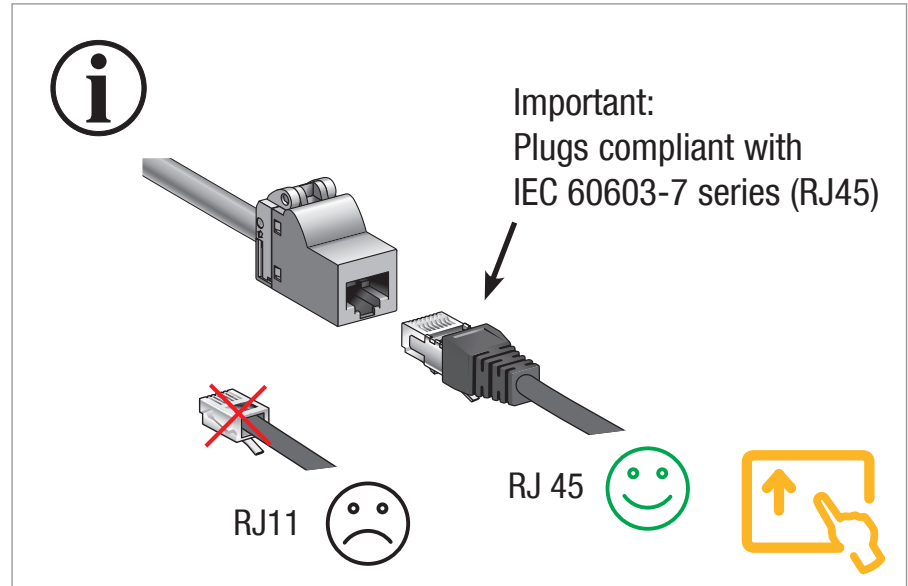
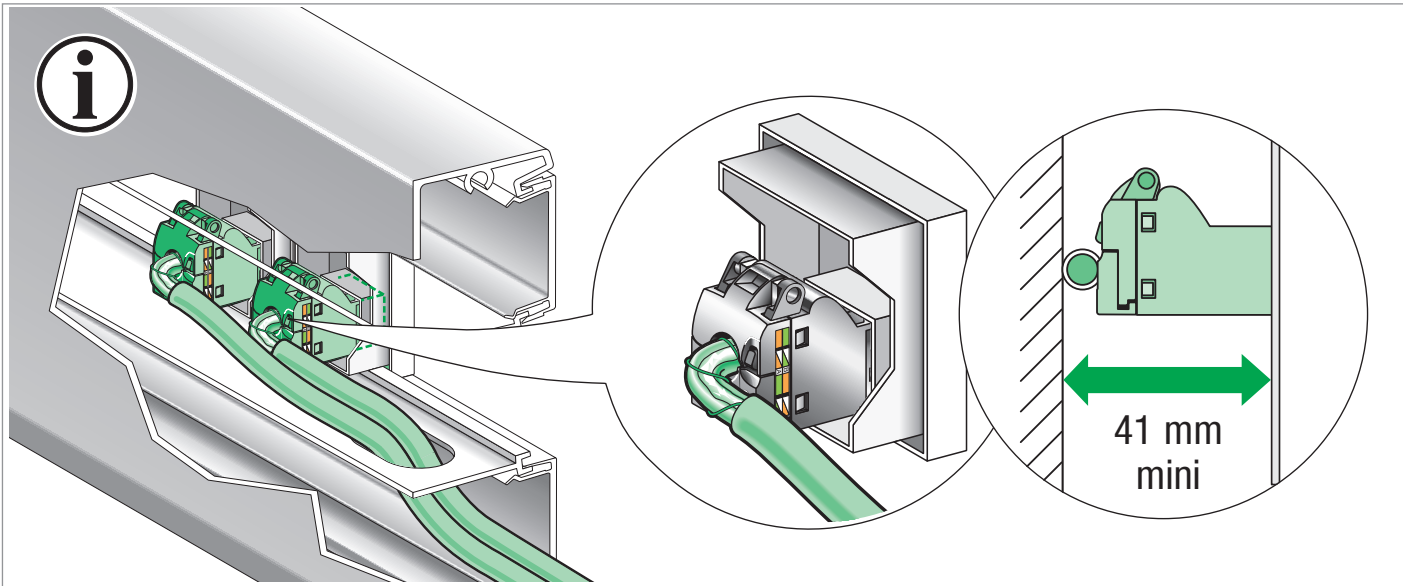
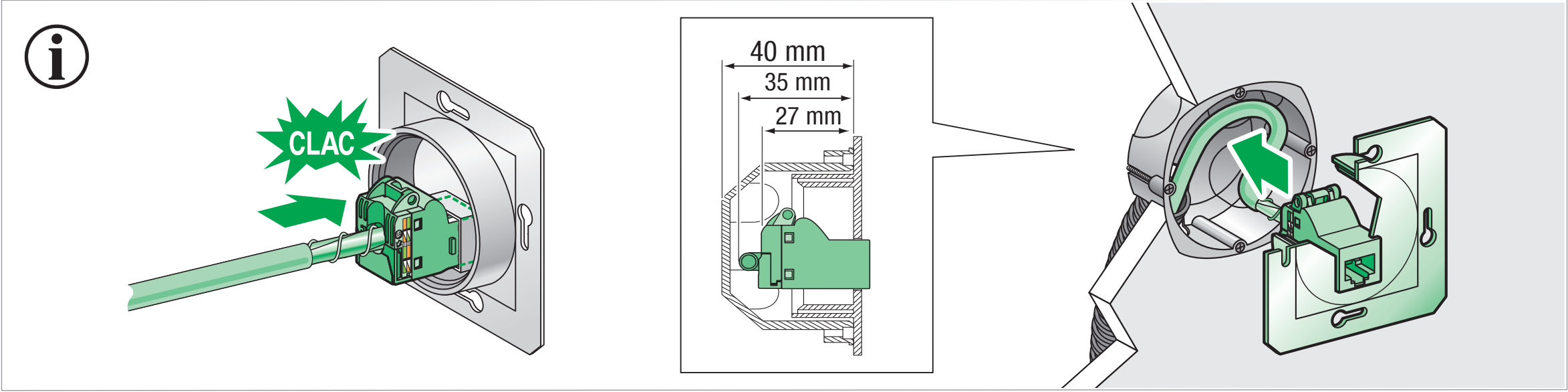


# Connector disconnection

## CLMX



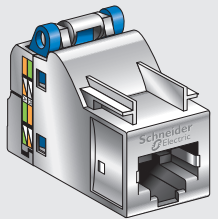
# ≡ Actassi S-One & S-One DPM shielded connectors - CLMX cable



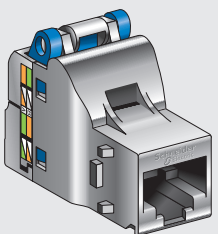
# Composition

## Shielded connector

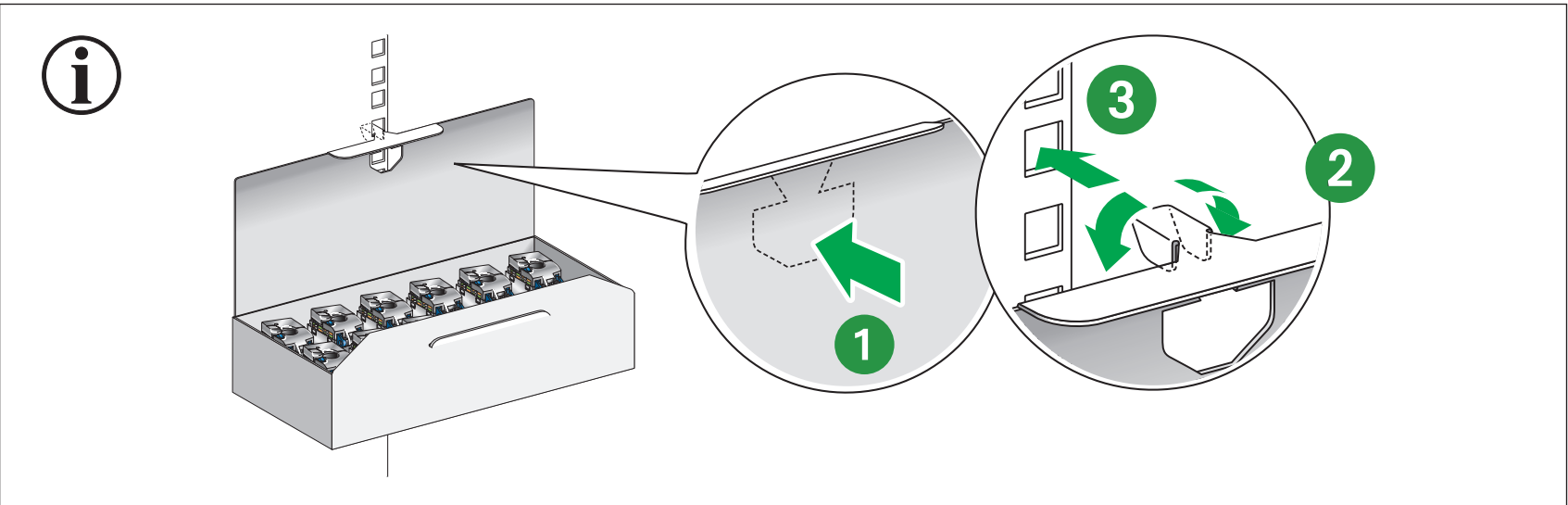
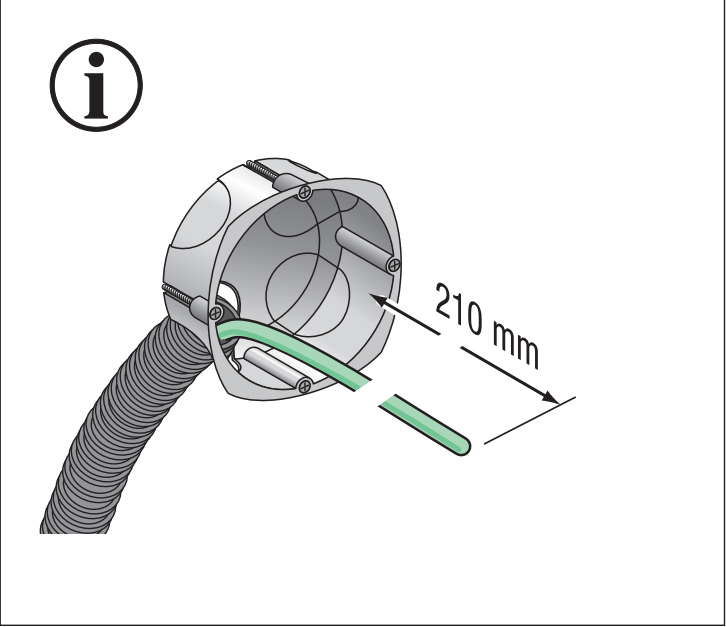
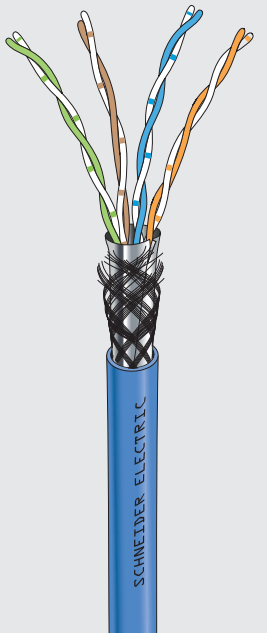
S-One



S-One DPM

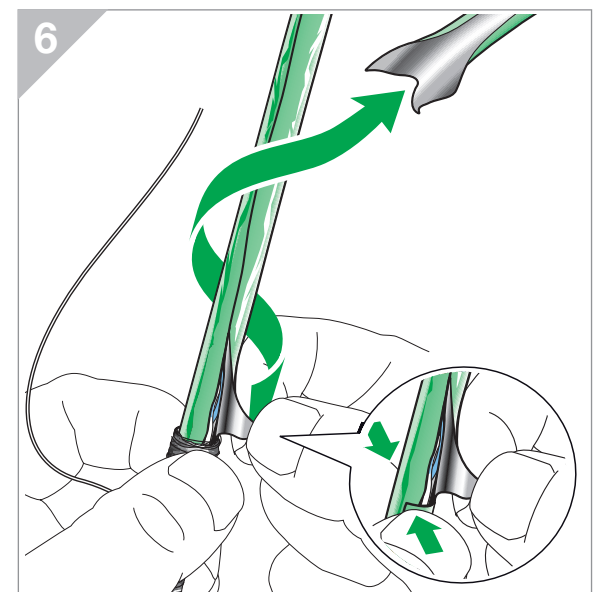
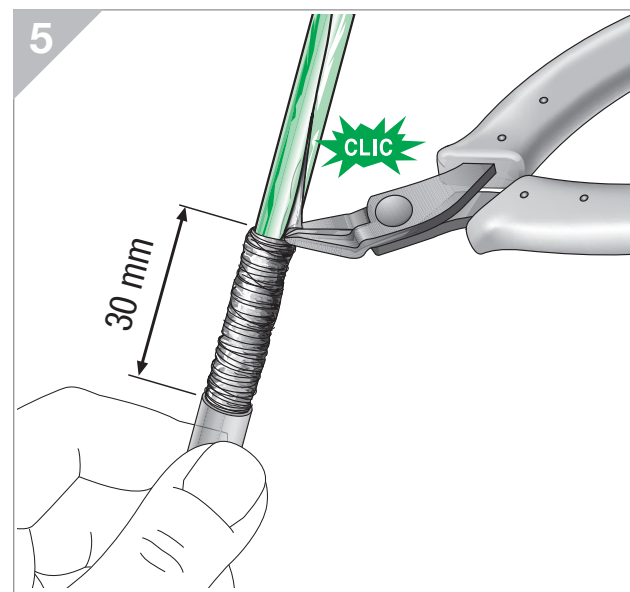
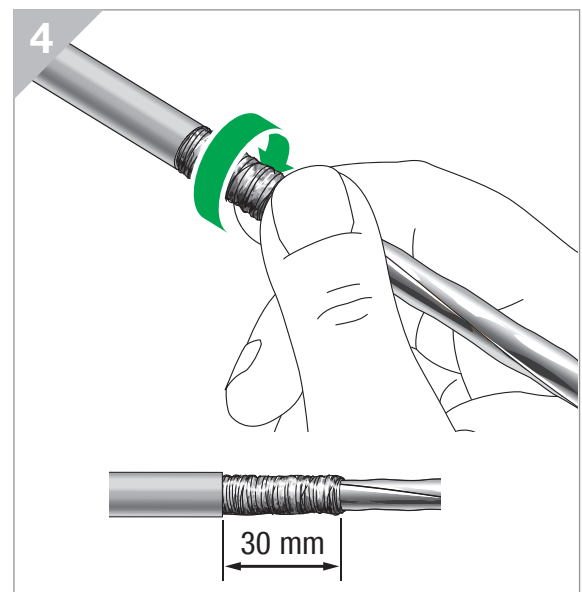
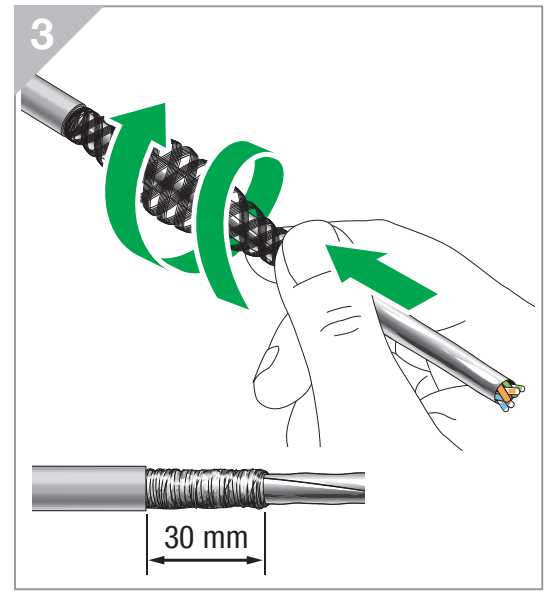
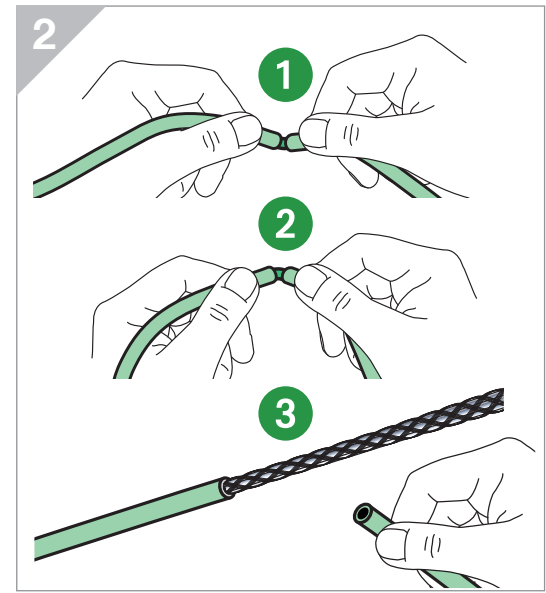
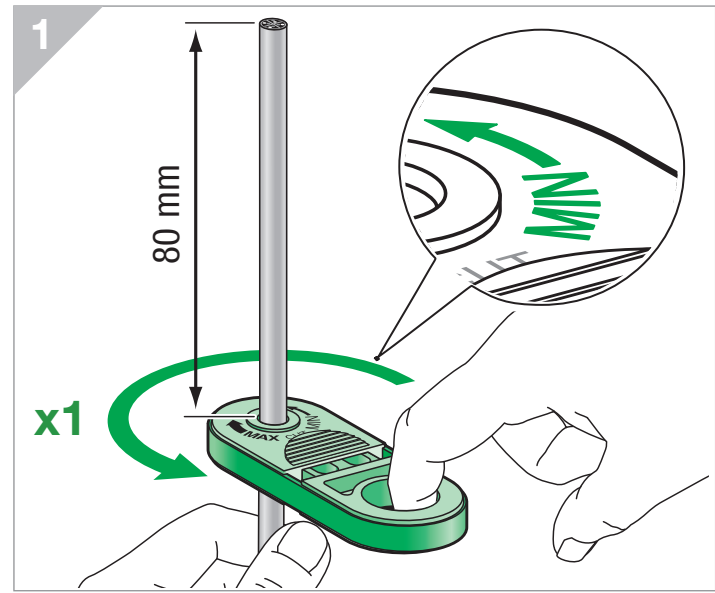
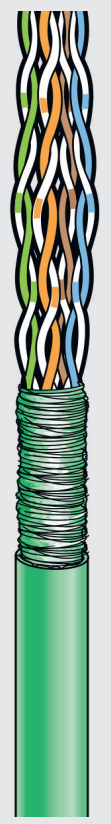


## SF/UTP



# Cable preparation

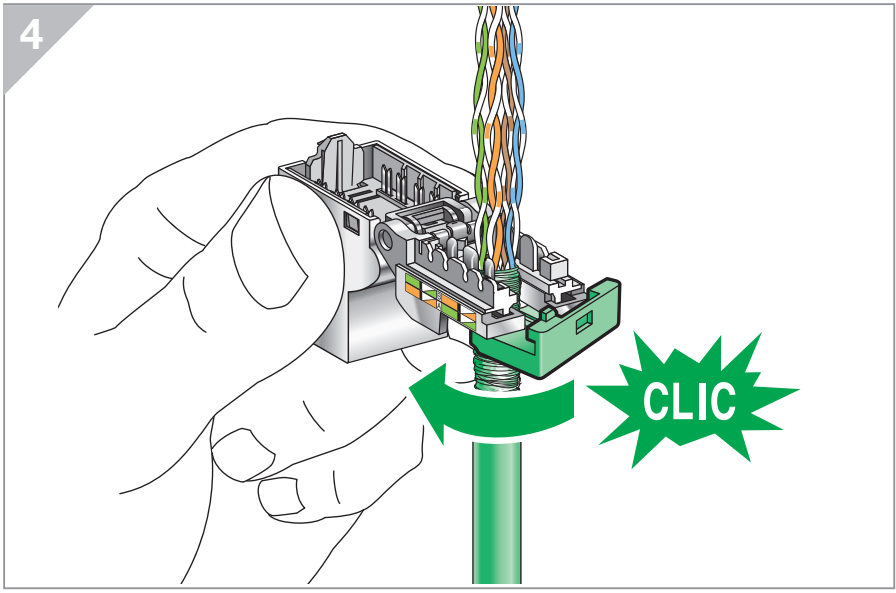
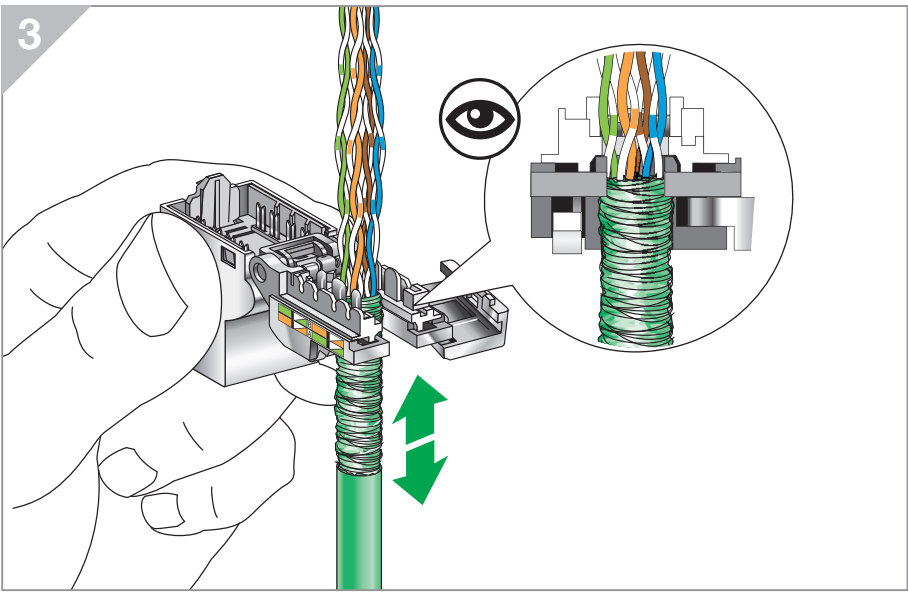
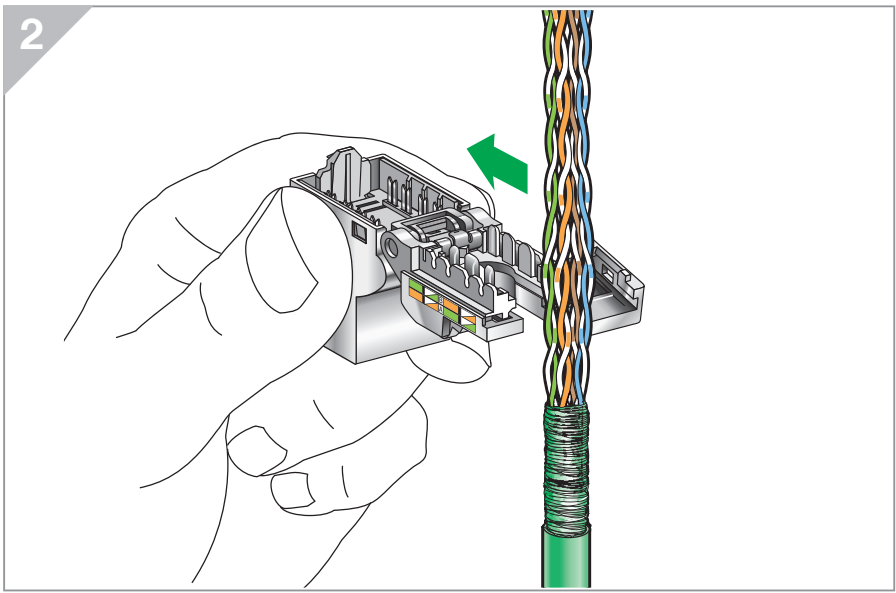
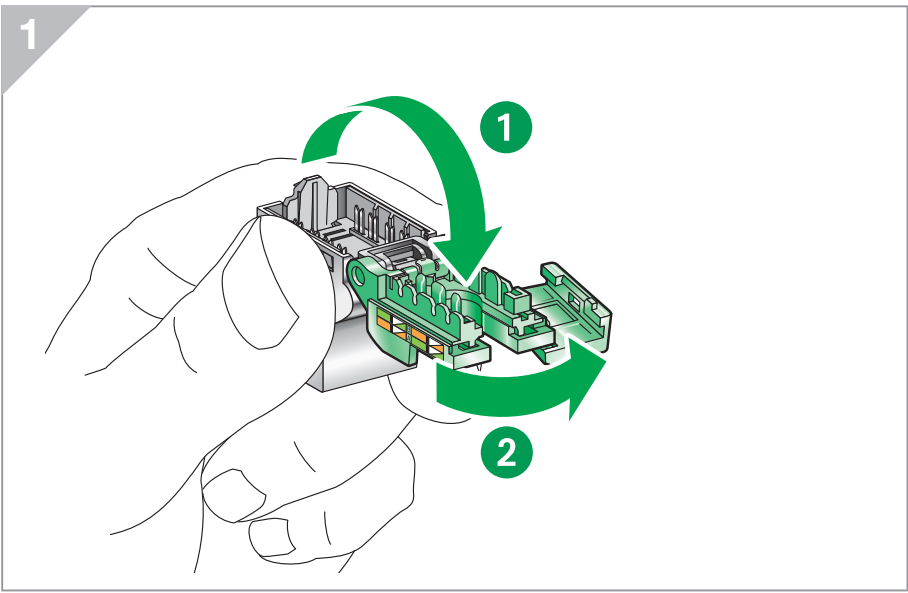
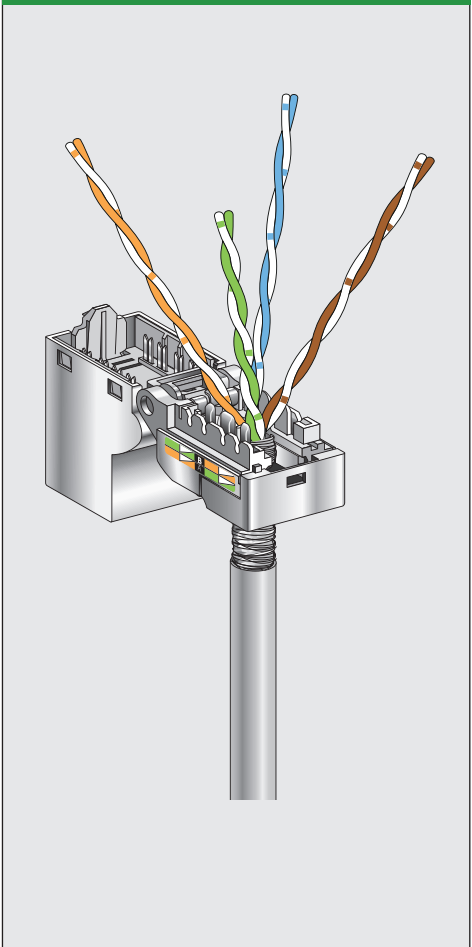
SF/UTP





# Connector wiring

## SF/UTP

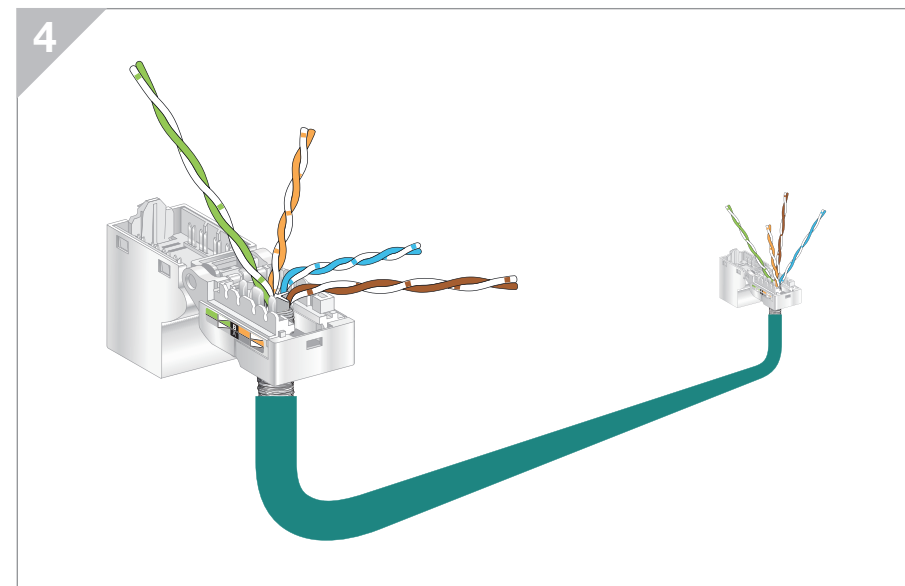
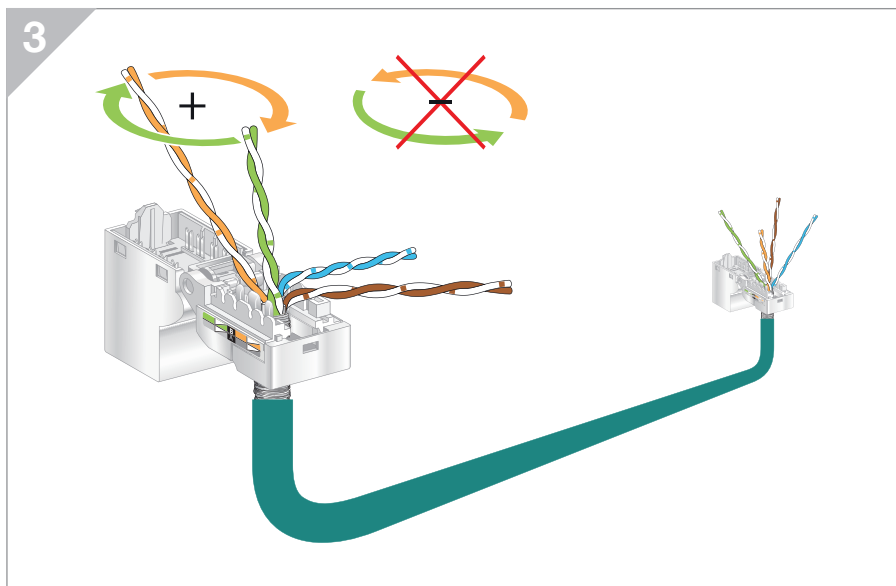
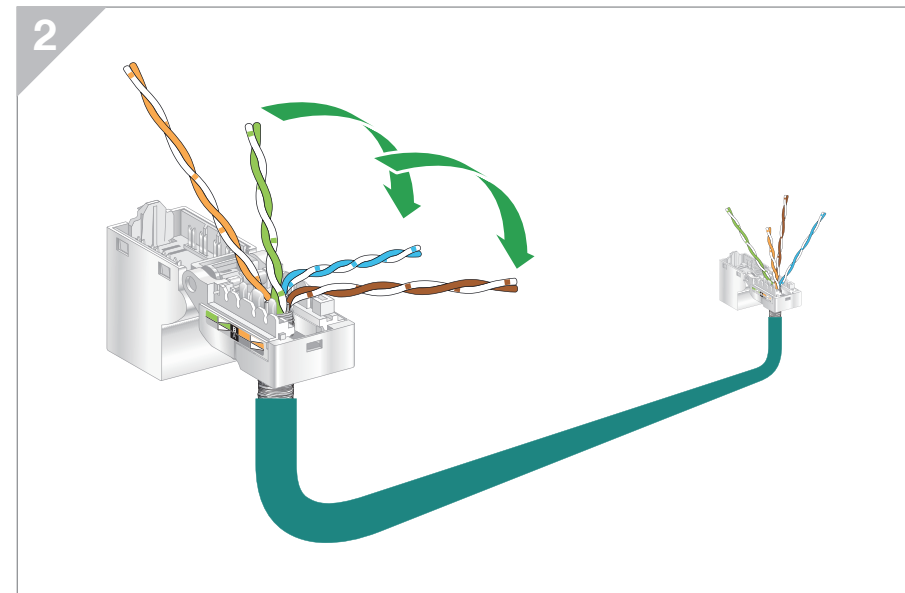
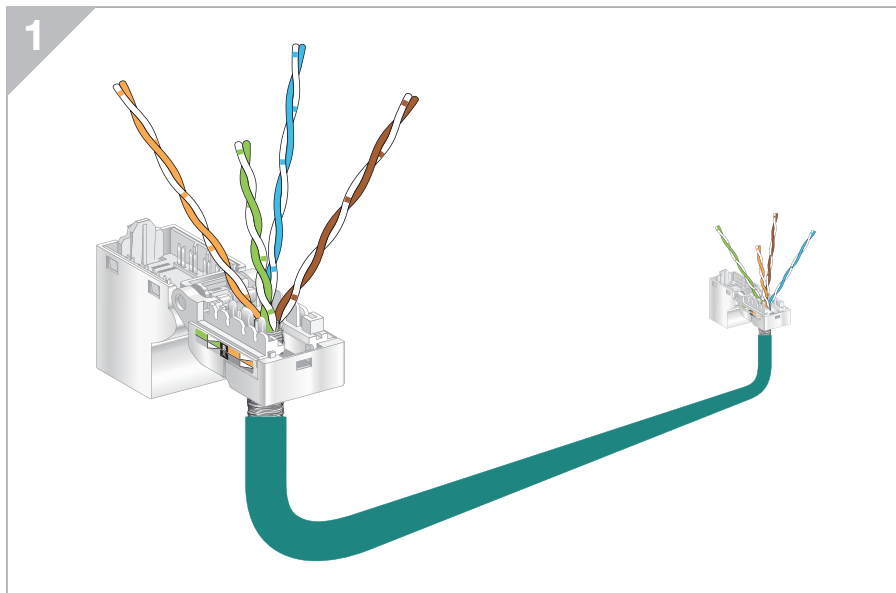
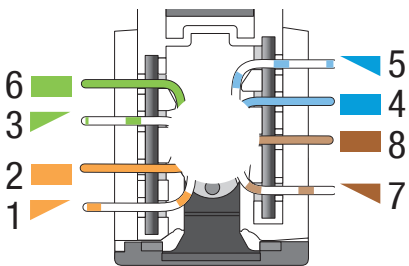


# Pairs crossing

## SF/UTP

How to prepare a SF/UTP cable with EIA-TIA 568B to reach high performance

EIA-TIA 568B (100Ω)

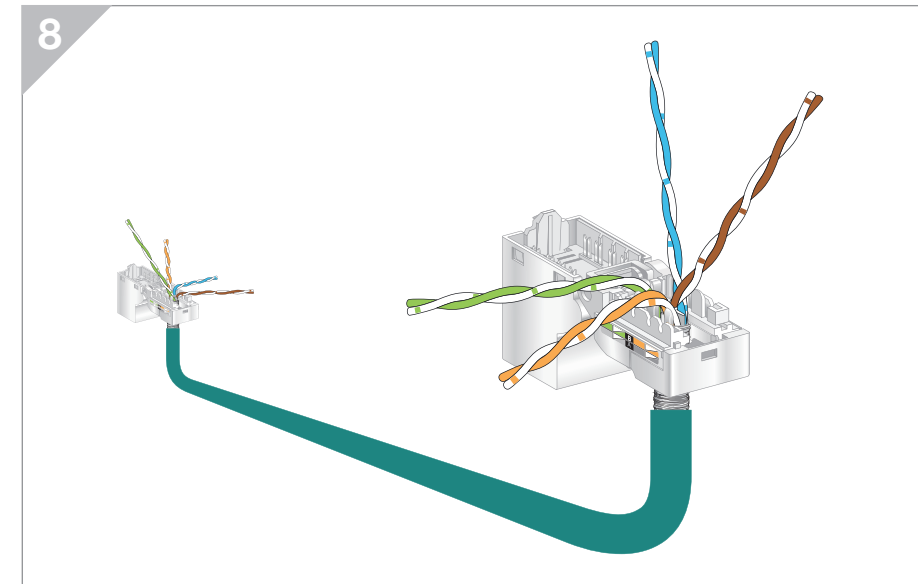
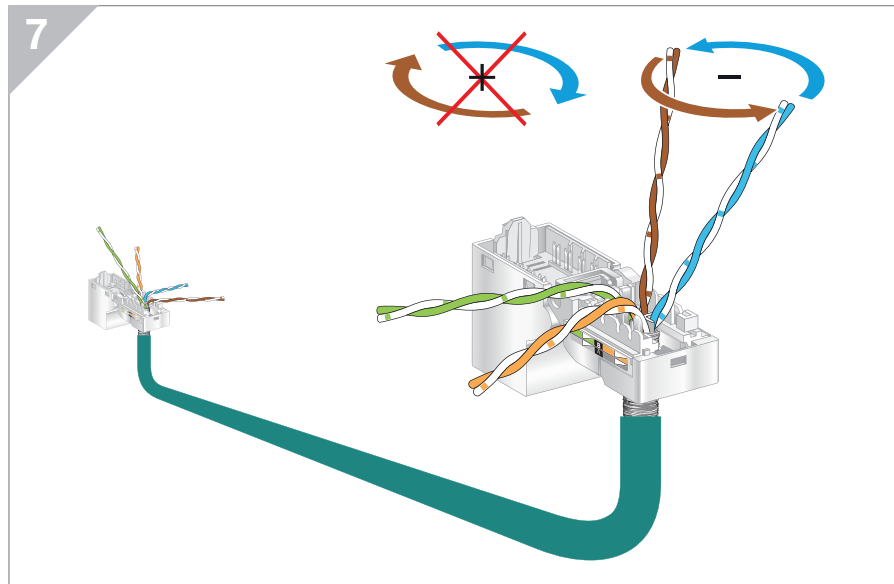
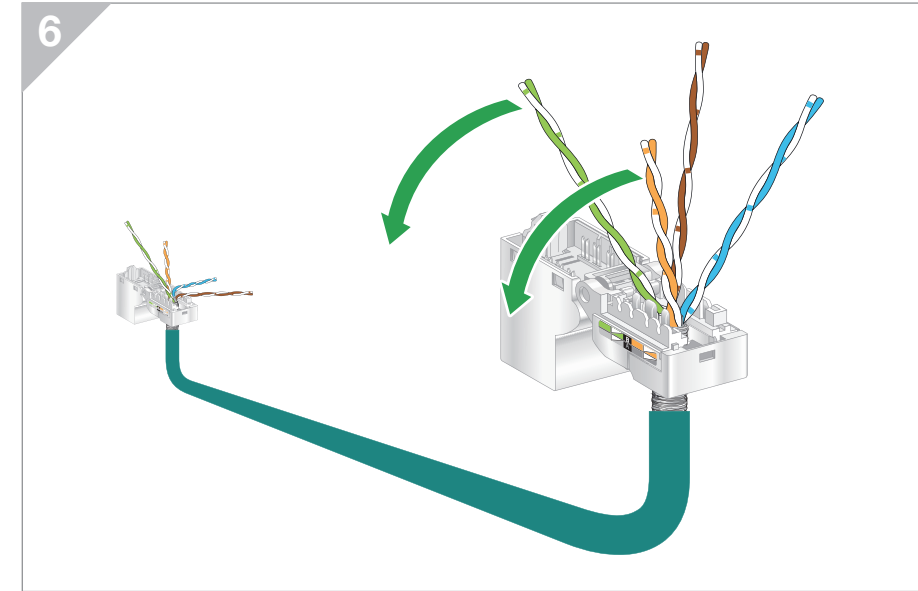
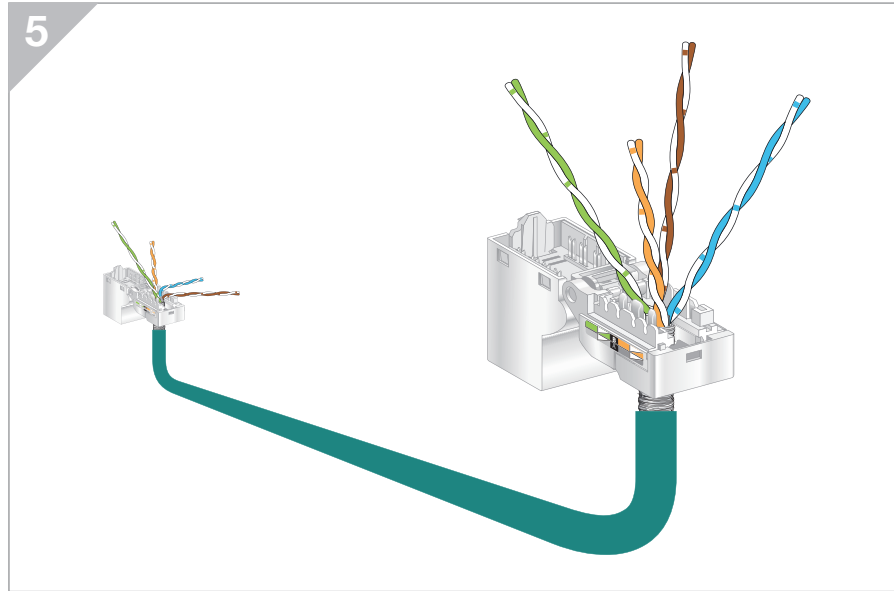
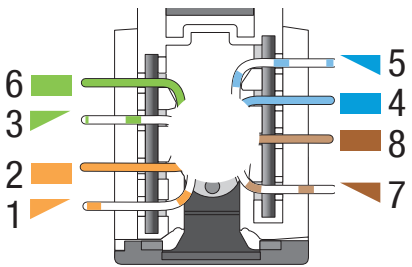


# Pairs crossing

## SF/UTP

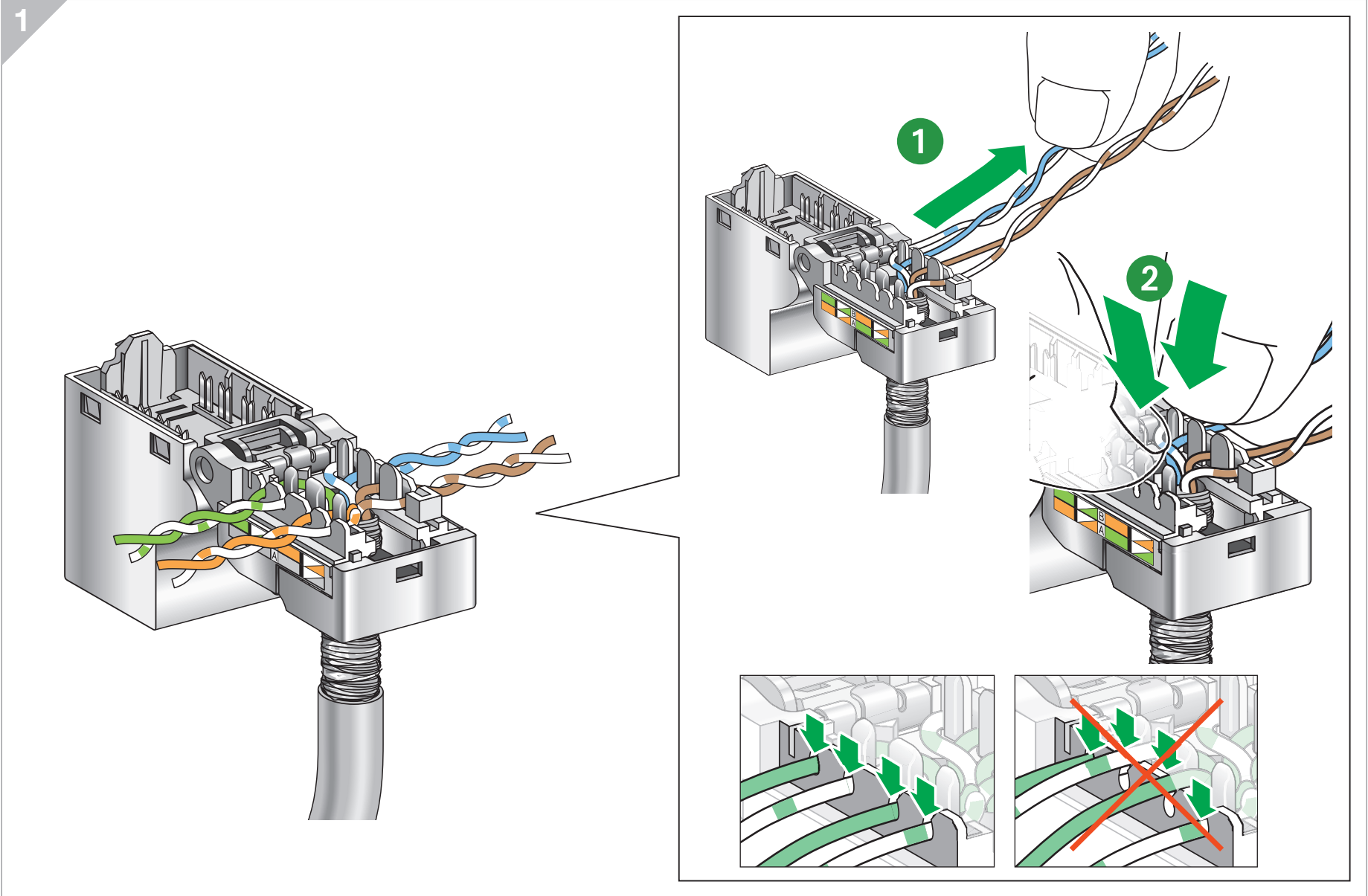
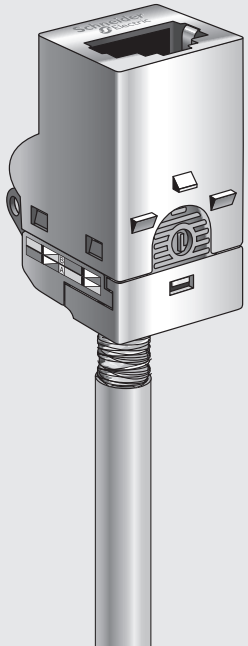
How to prepare a SF/UTP cable with EIA-TIA 568B to reach high performance

### EIA-TIA 568B (100Ω)



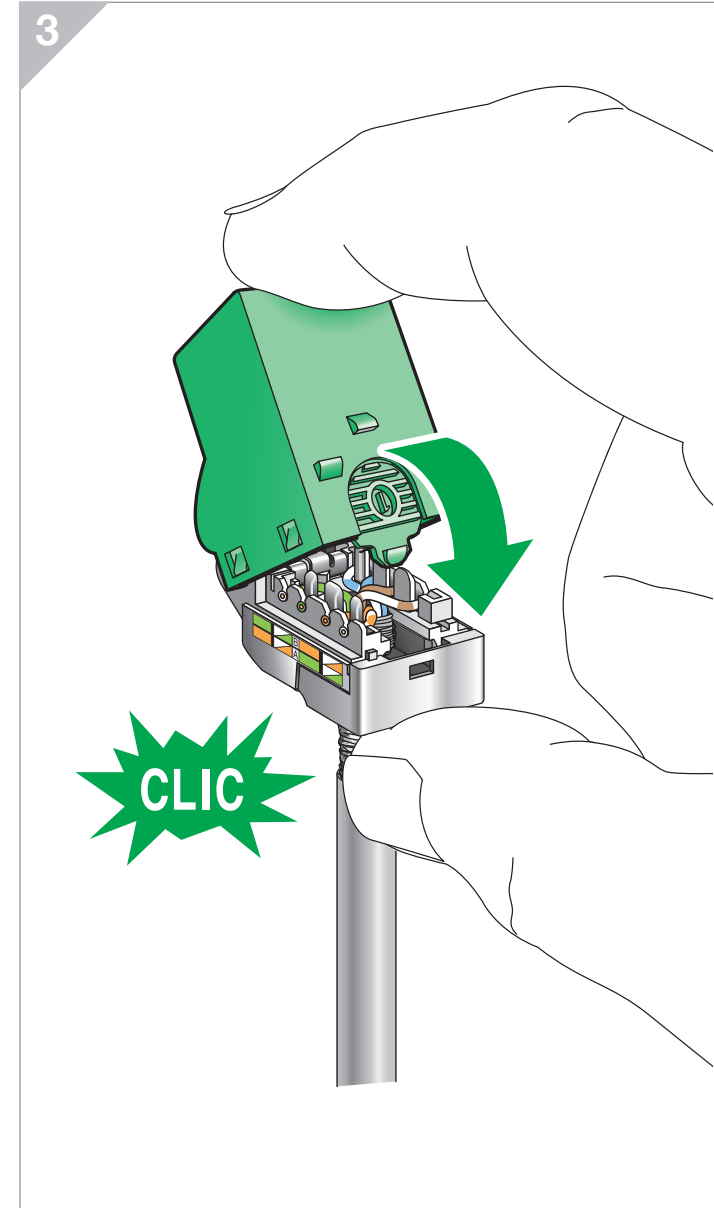
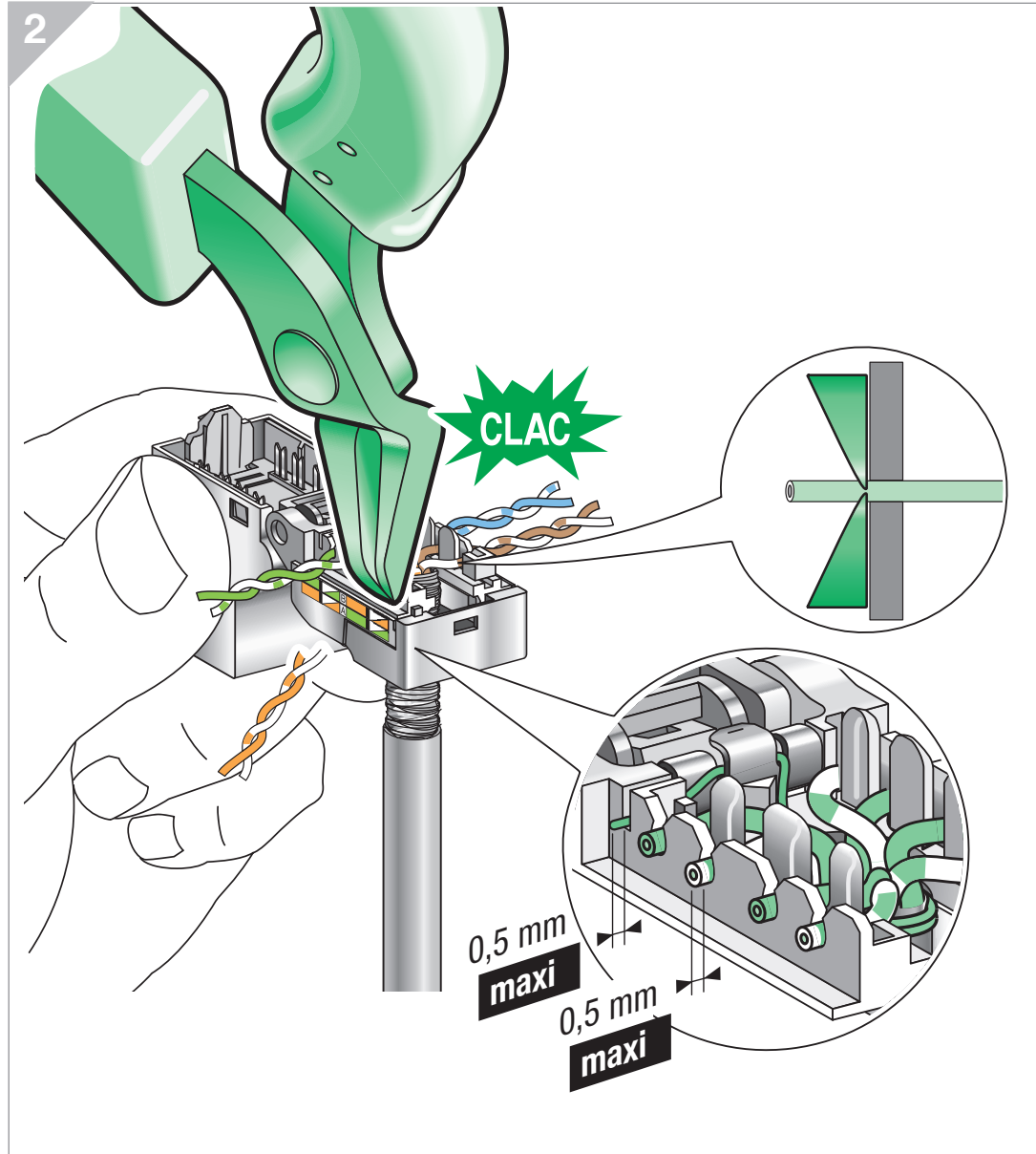
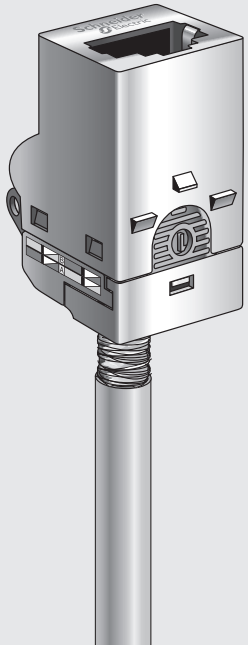
# Connector connection

SF/UTP



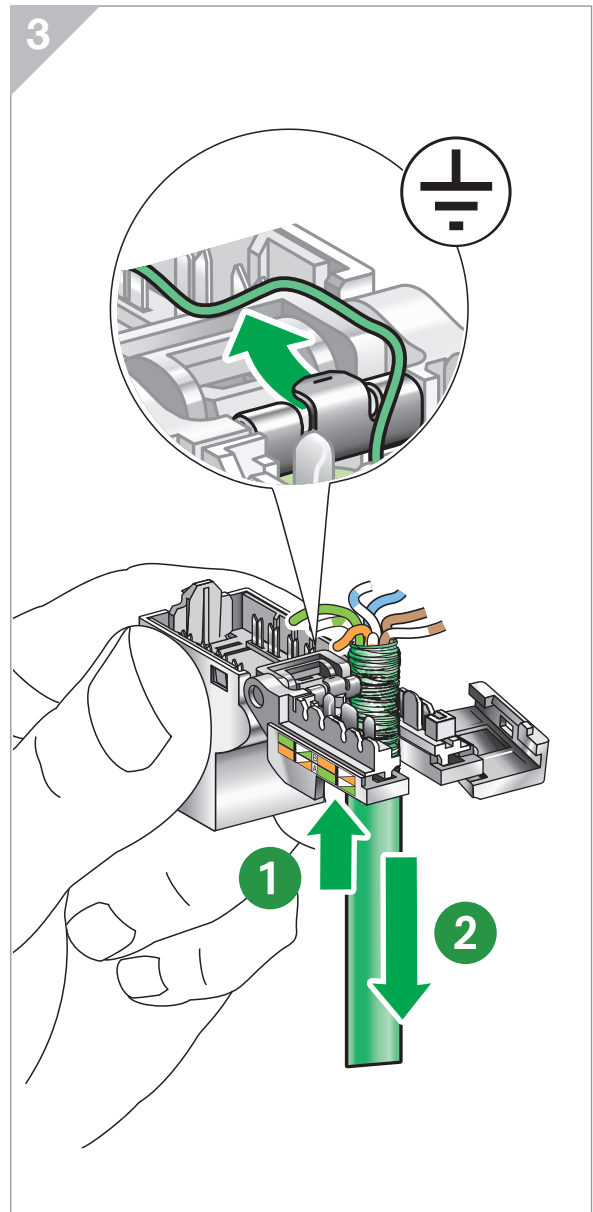
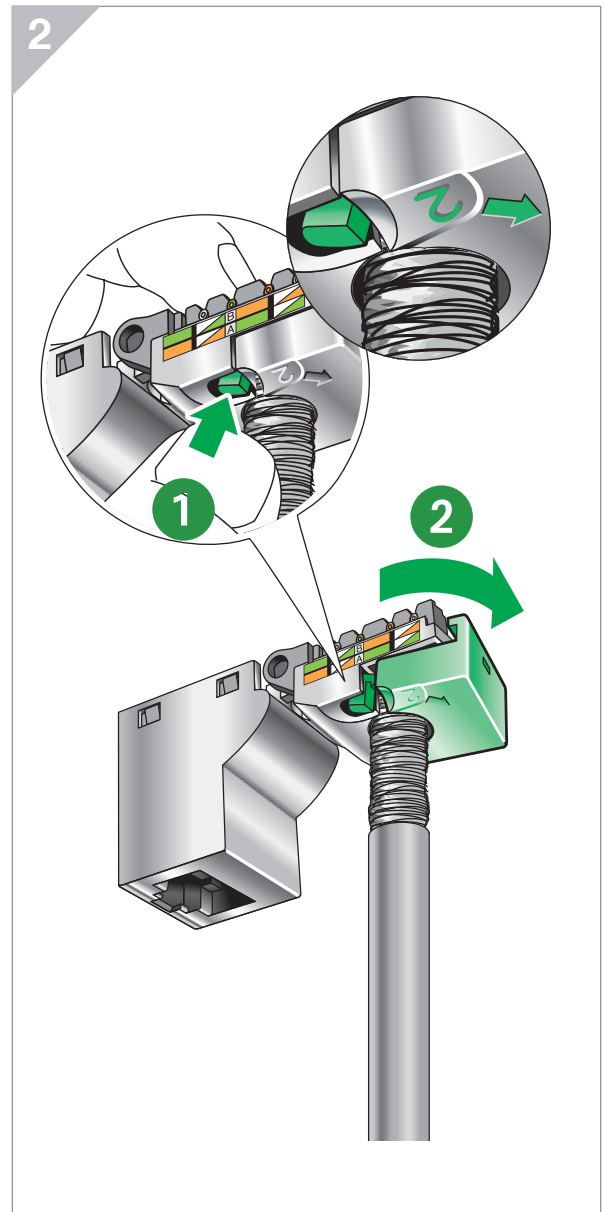
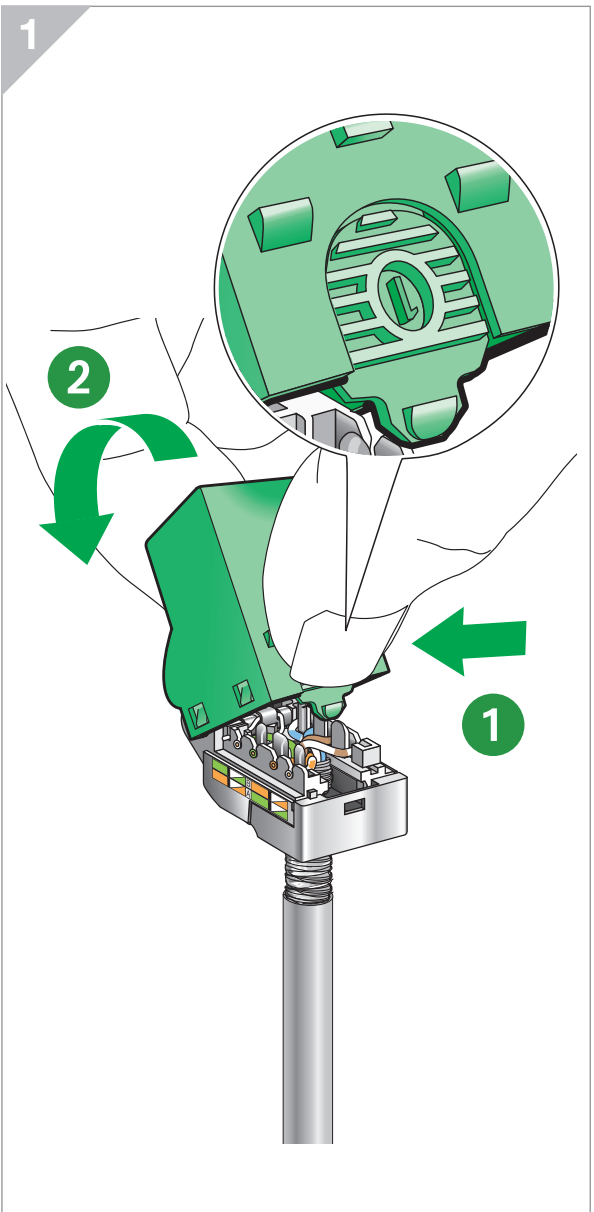
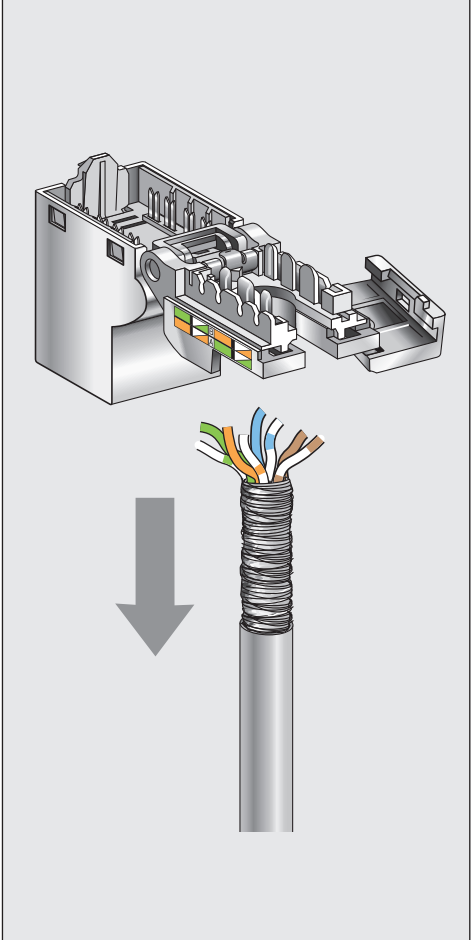
## Connector connection

SF/UTP

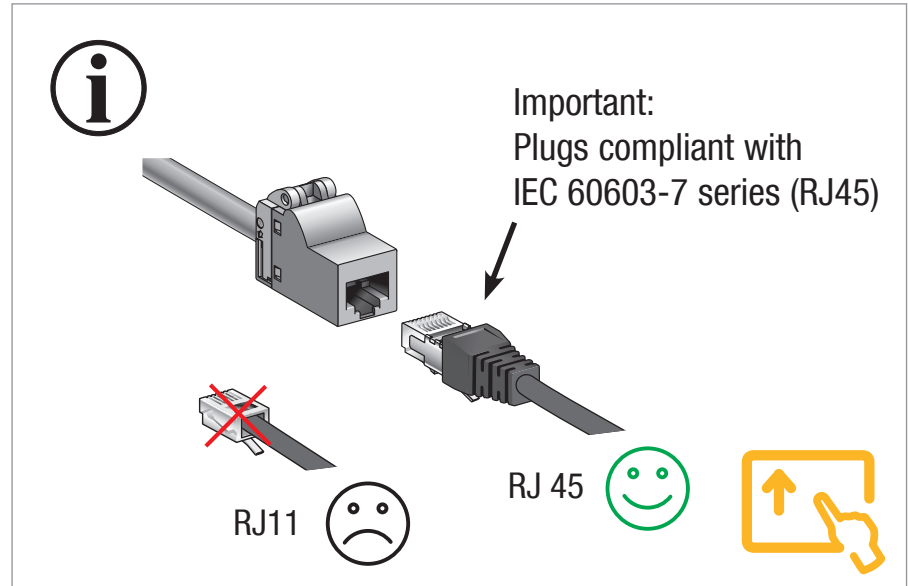
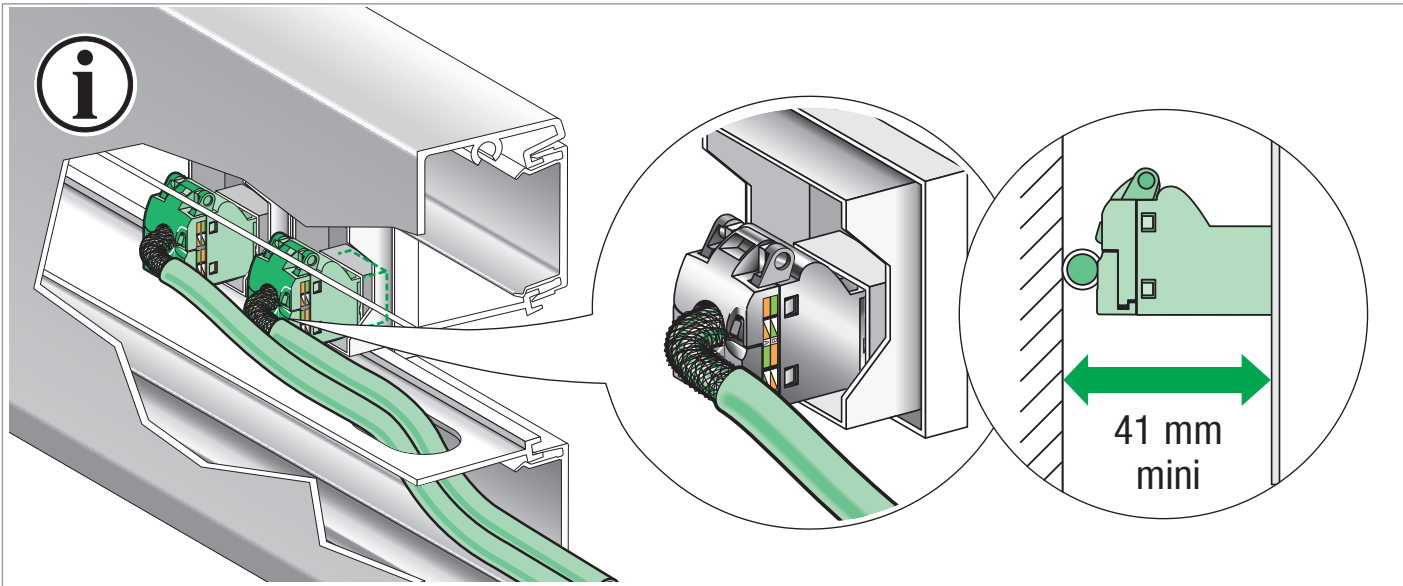
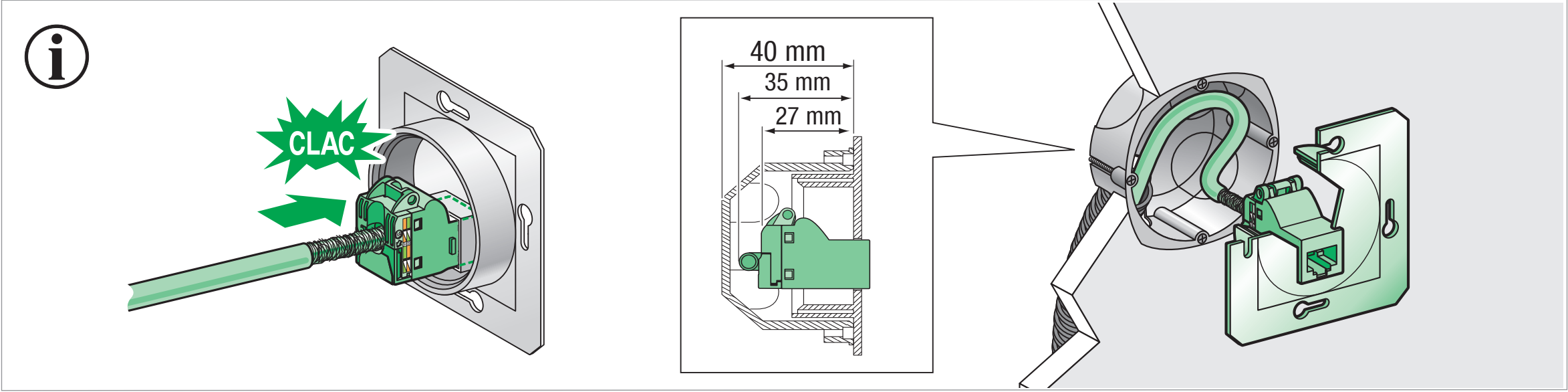


# Connector disconnection

SF/UTP



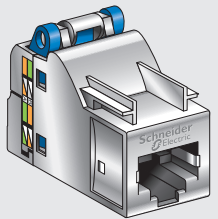
# ≡ Actassi S-One & S-One DPM shielded connectors - SF/UTP cable



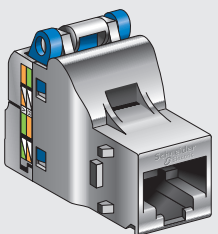
# Composition

## Shielded connector

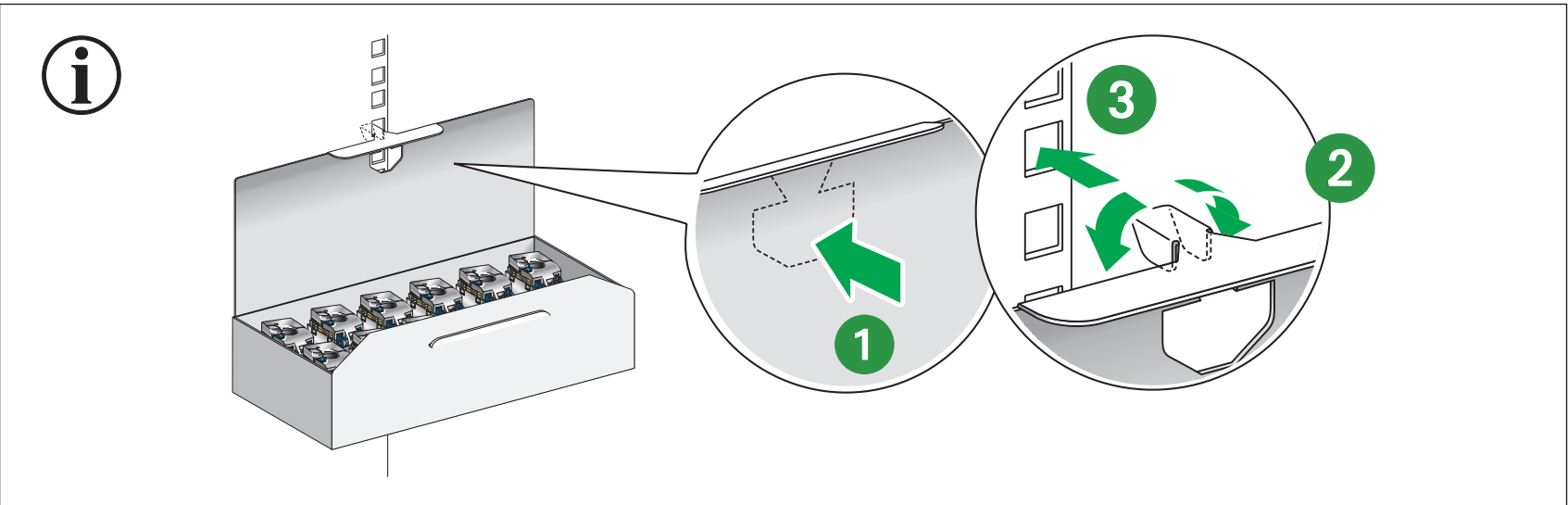
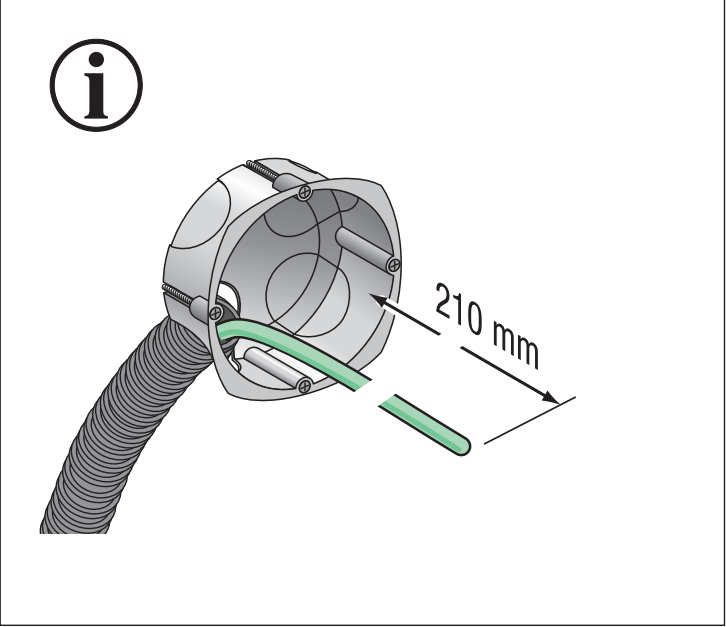
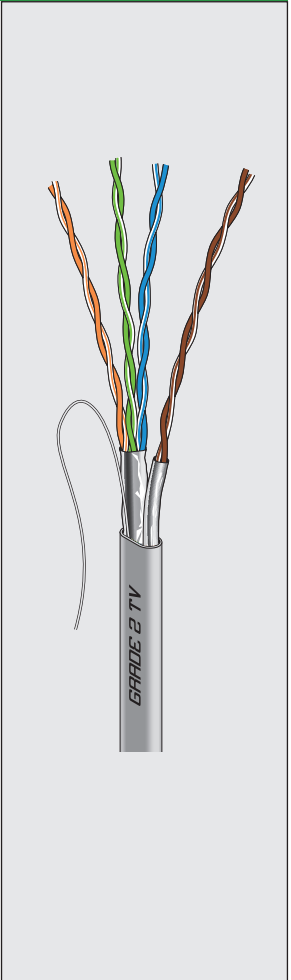
S-One



S-One DPM



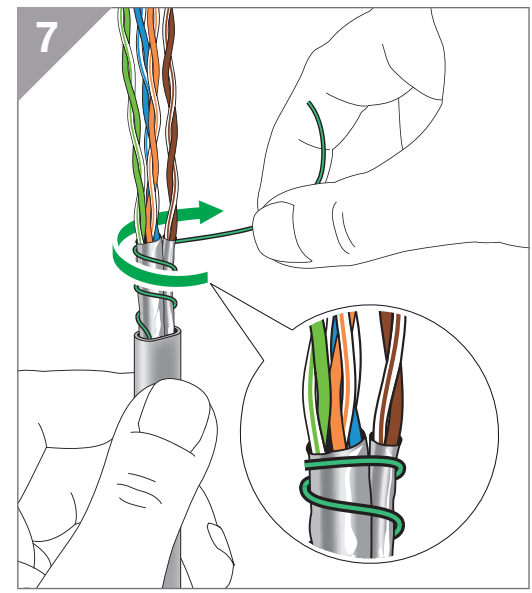
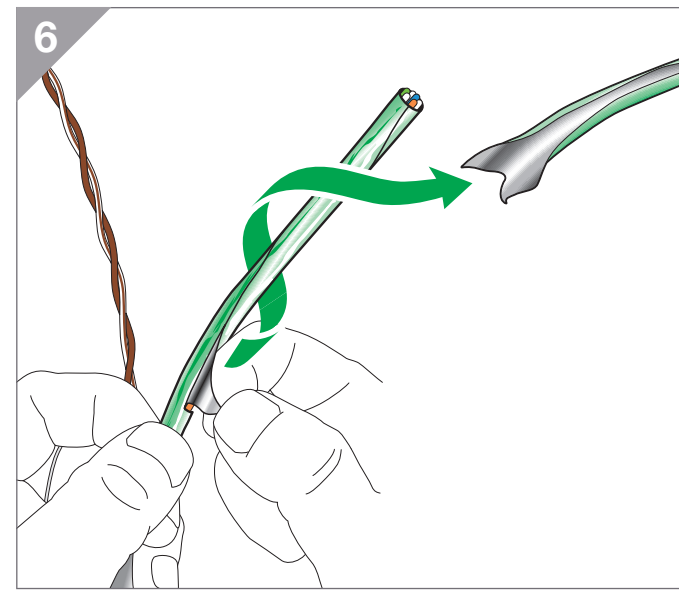
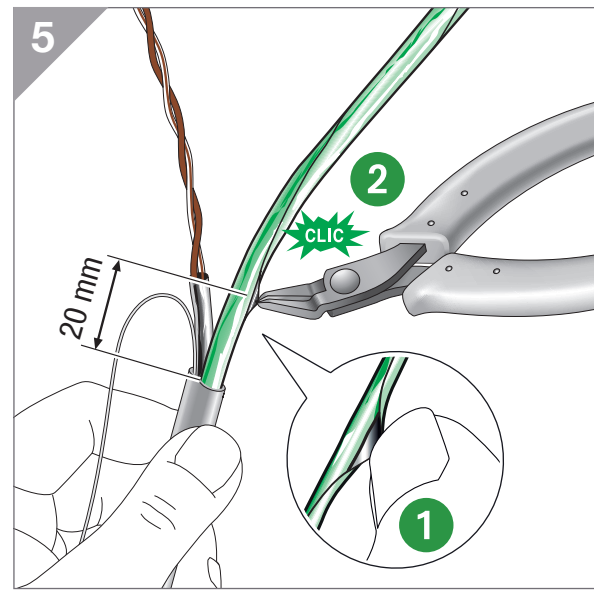
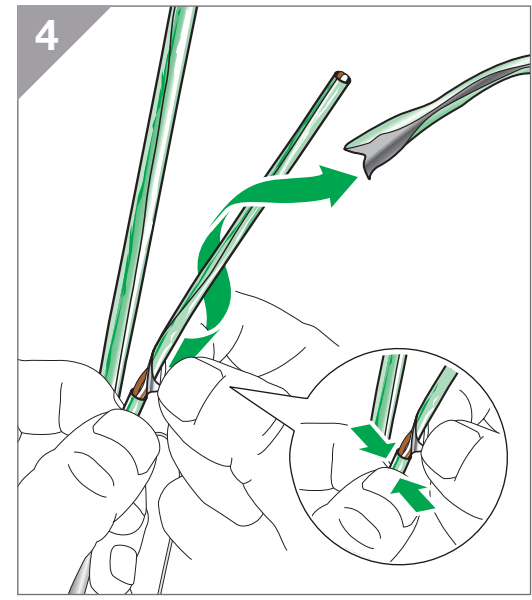
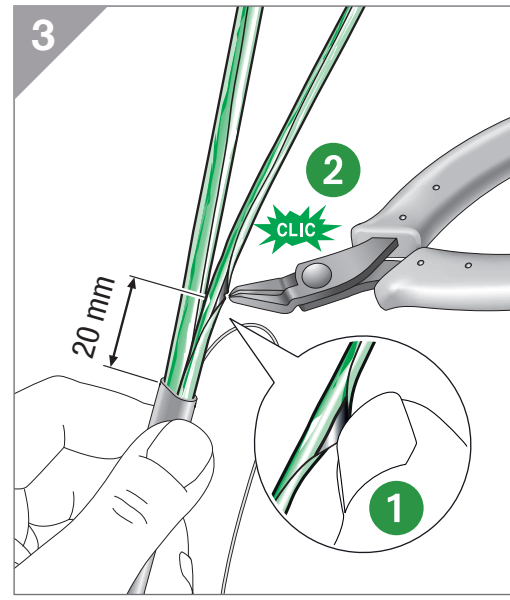
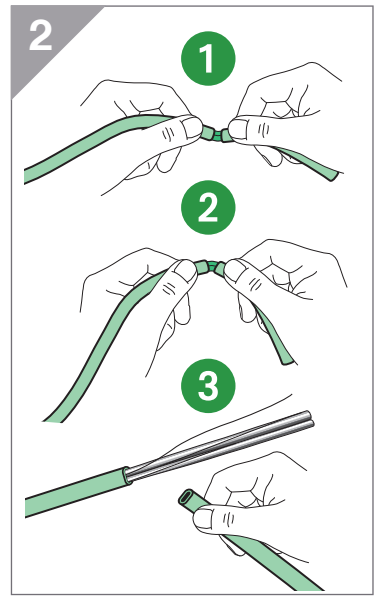
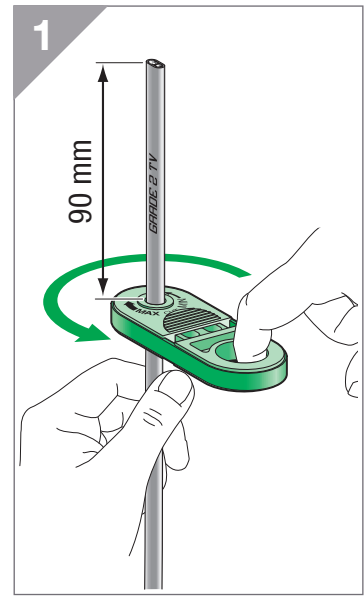
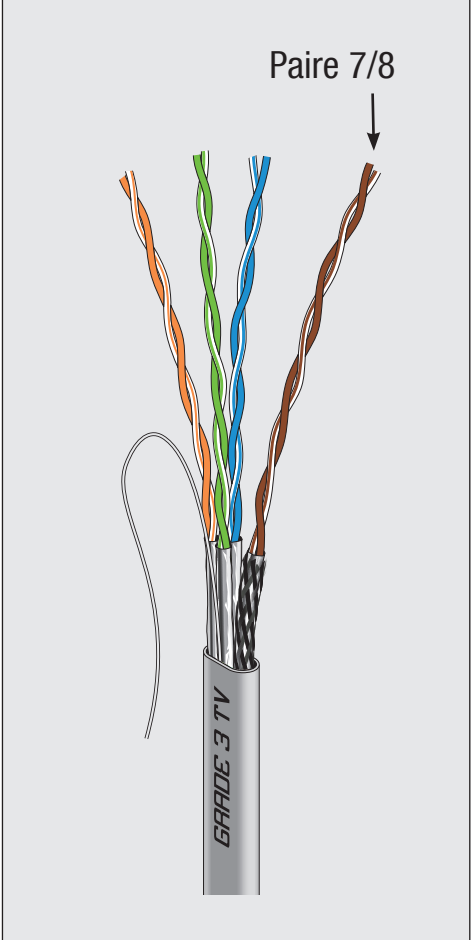
## Grade 2 TV





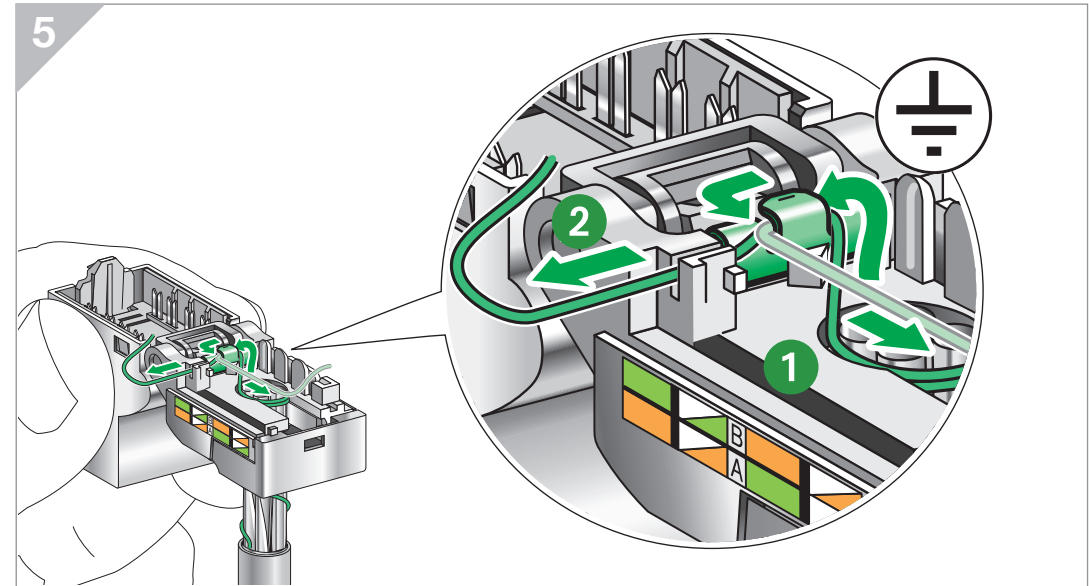
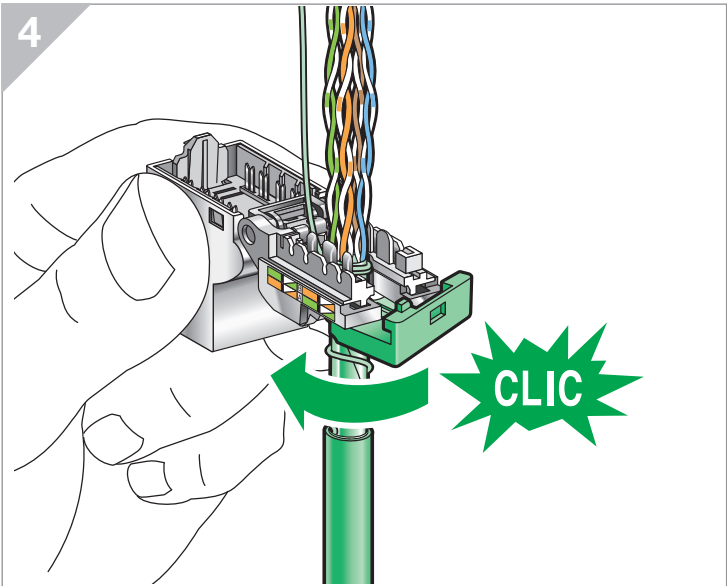
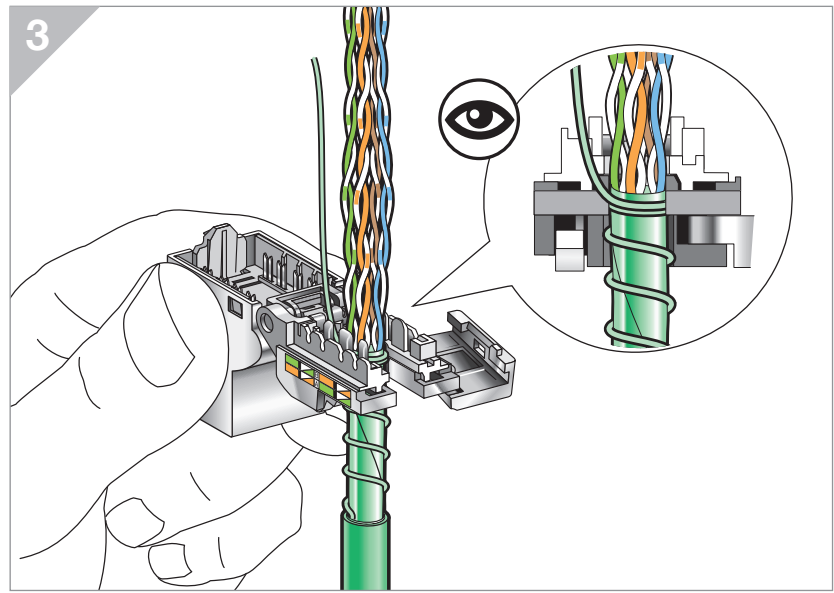
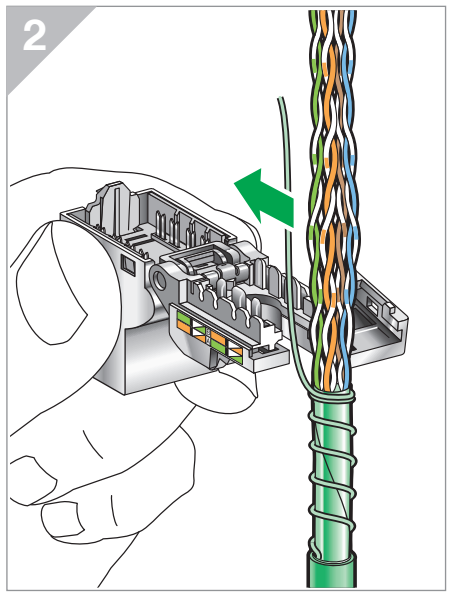
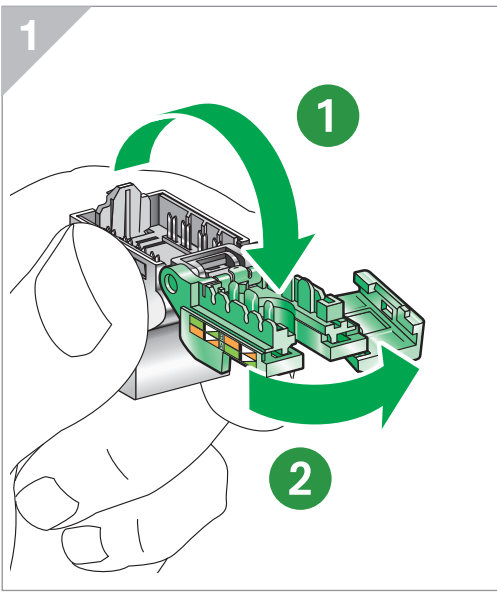
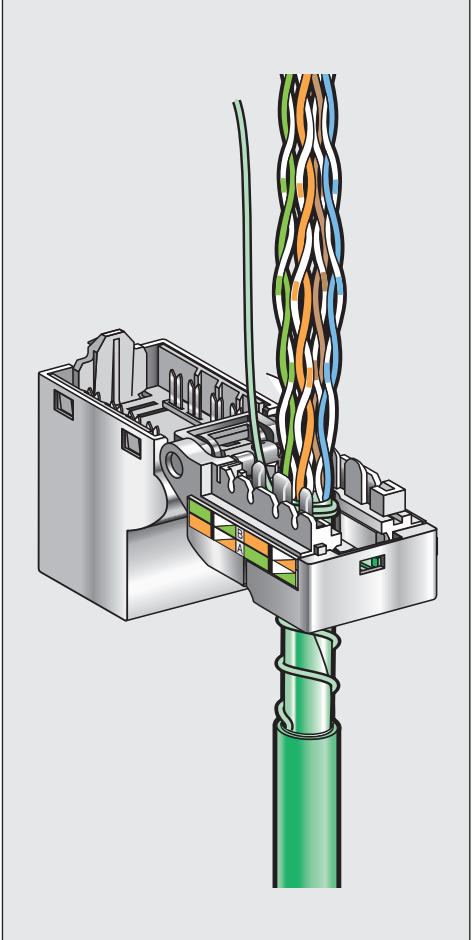
# Cable preparation

## Grade 2 TV



# Connector wiring

## Grade 2 TV

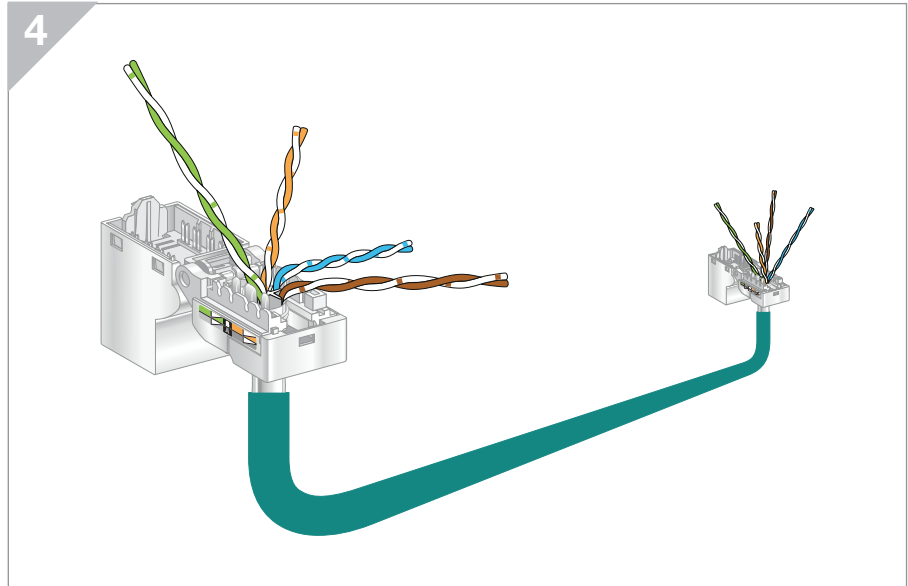
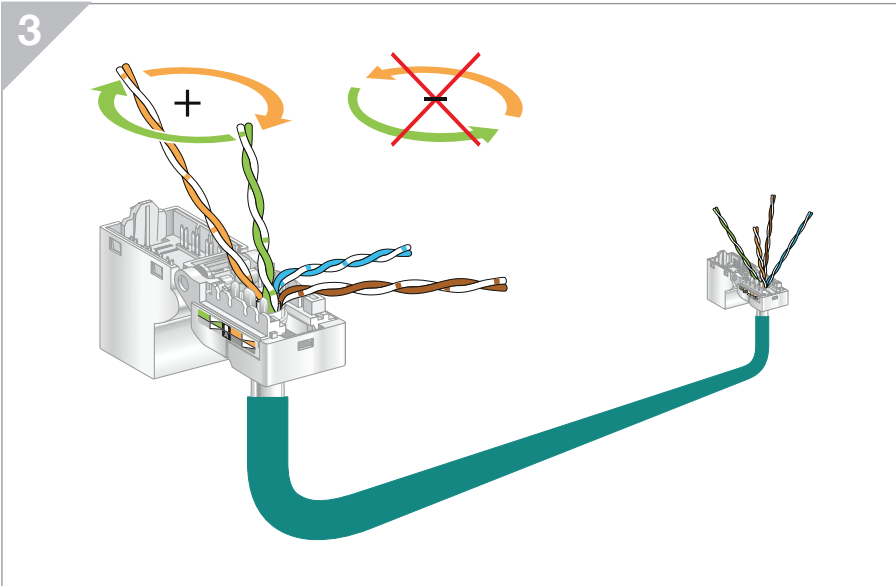
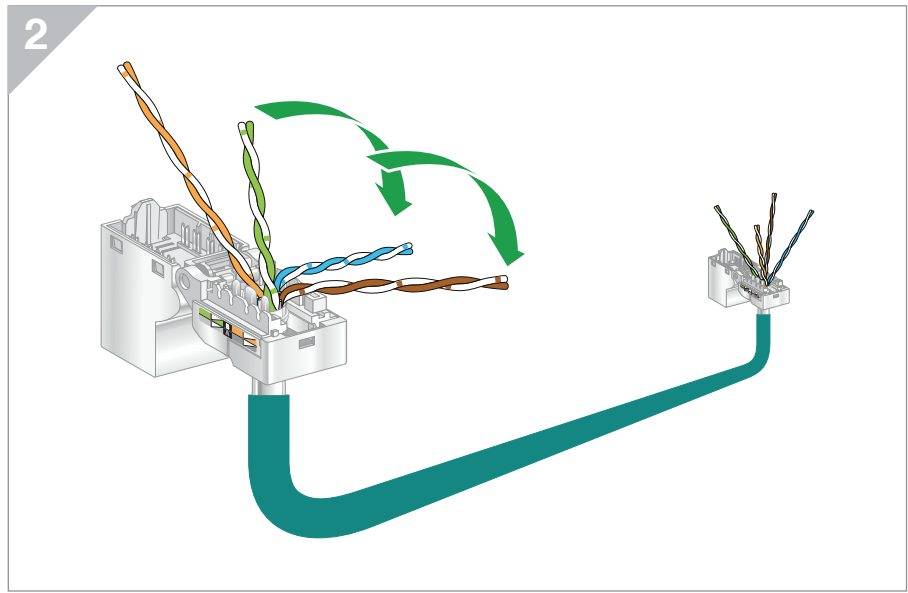
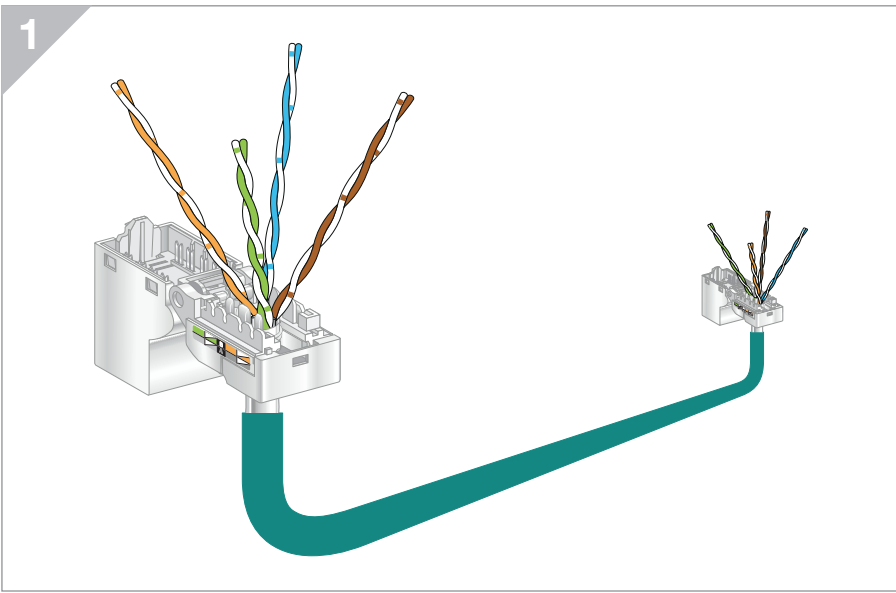
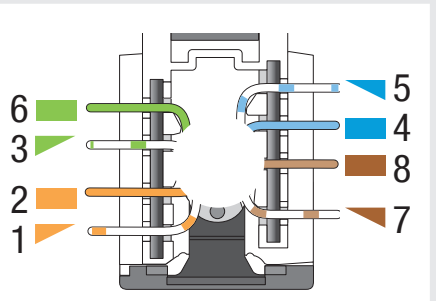


# Pairs crossing

## Grade 2 TV

How to prepare a Grade 2 TV cable with EIA-TIA 568B to reach high performance

EIA-TIA 568B (100Ω)

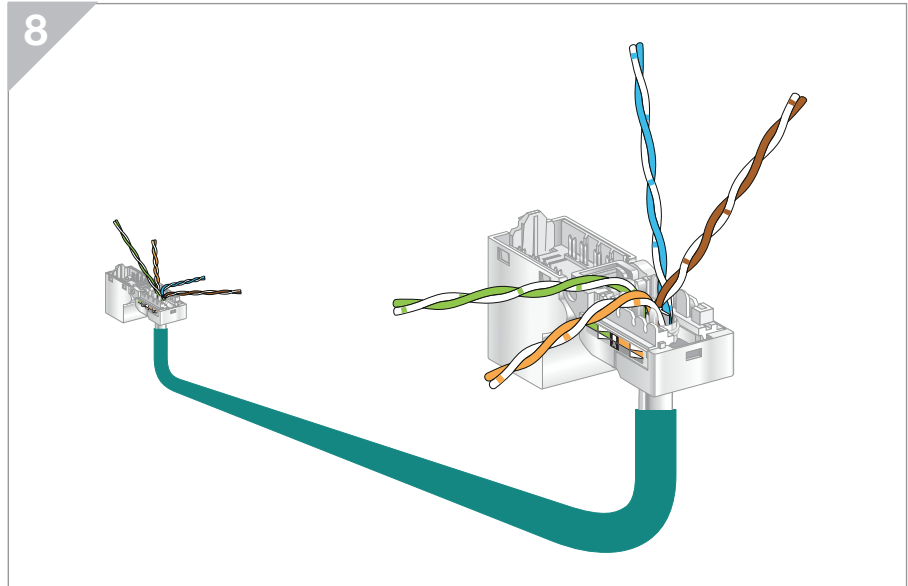
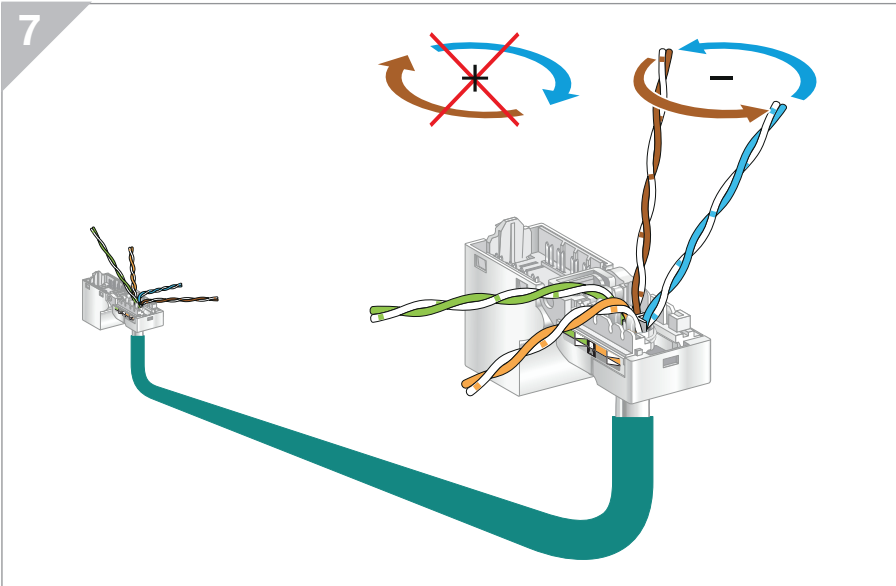
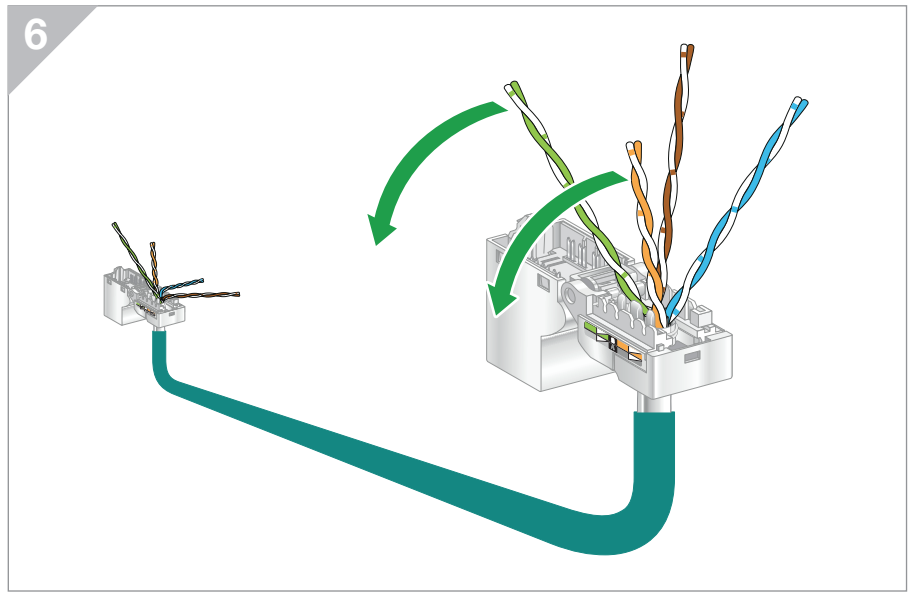
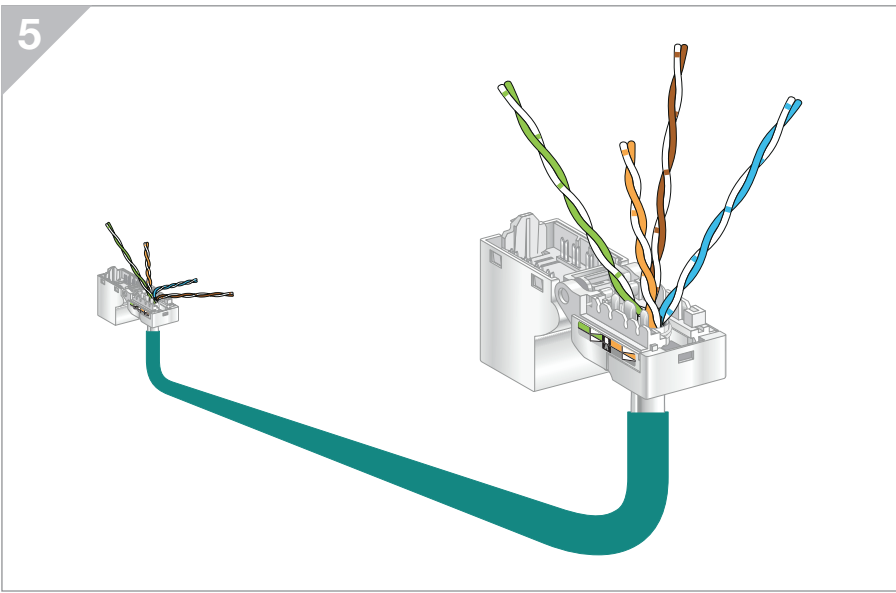
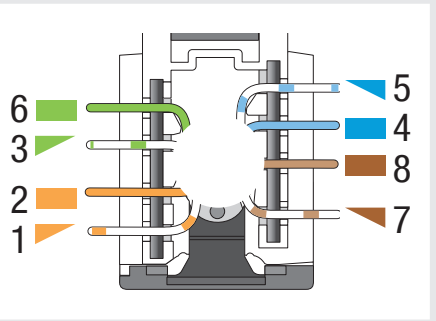


# Pairs crossing

## Grade 2 TV

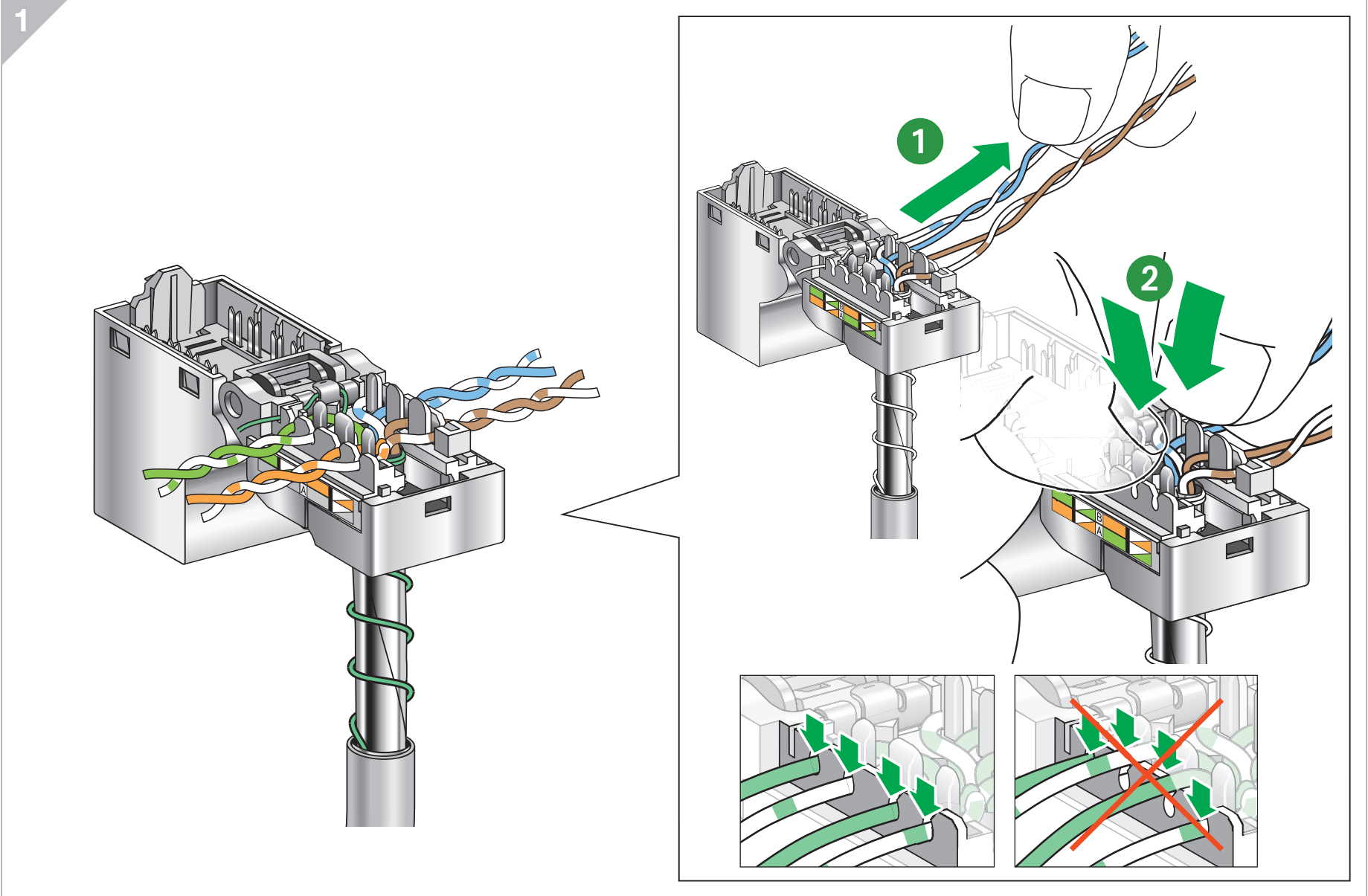
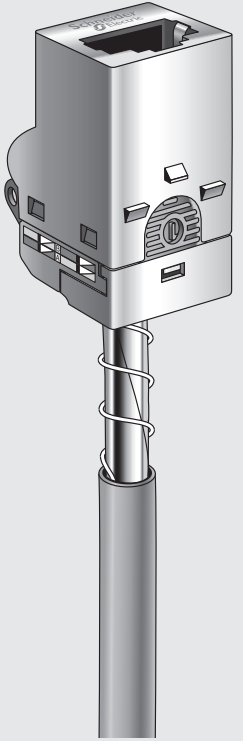
How to prepare a Grade 2 TV cable with EIA-TIA 568B to reach high performance

EIA-TIA 568B (100Ω)



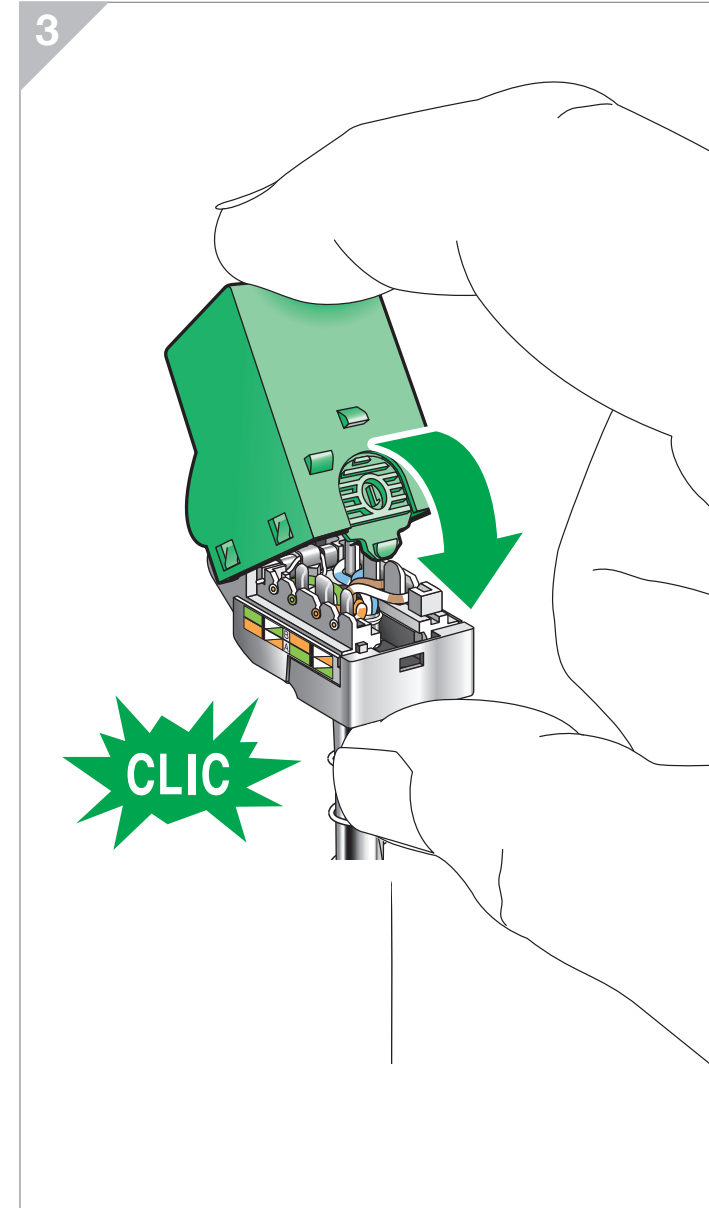
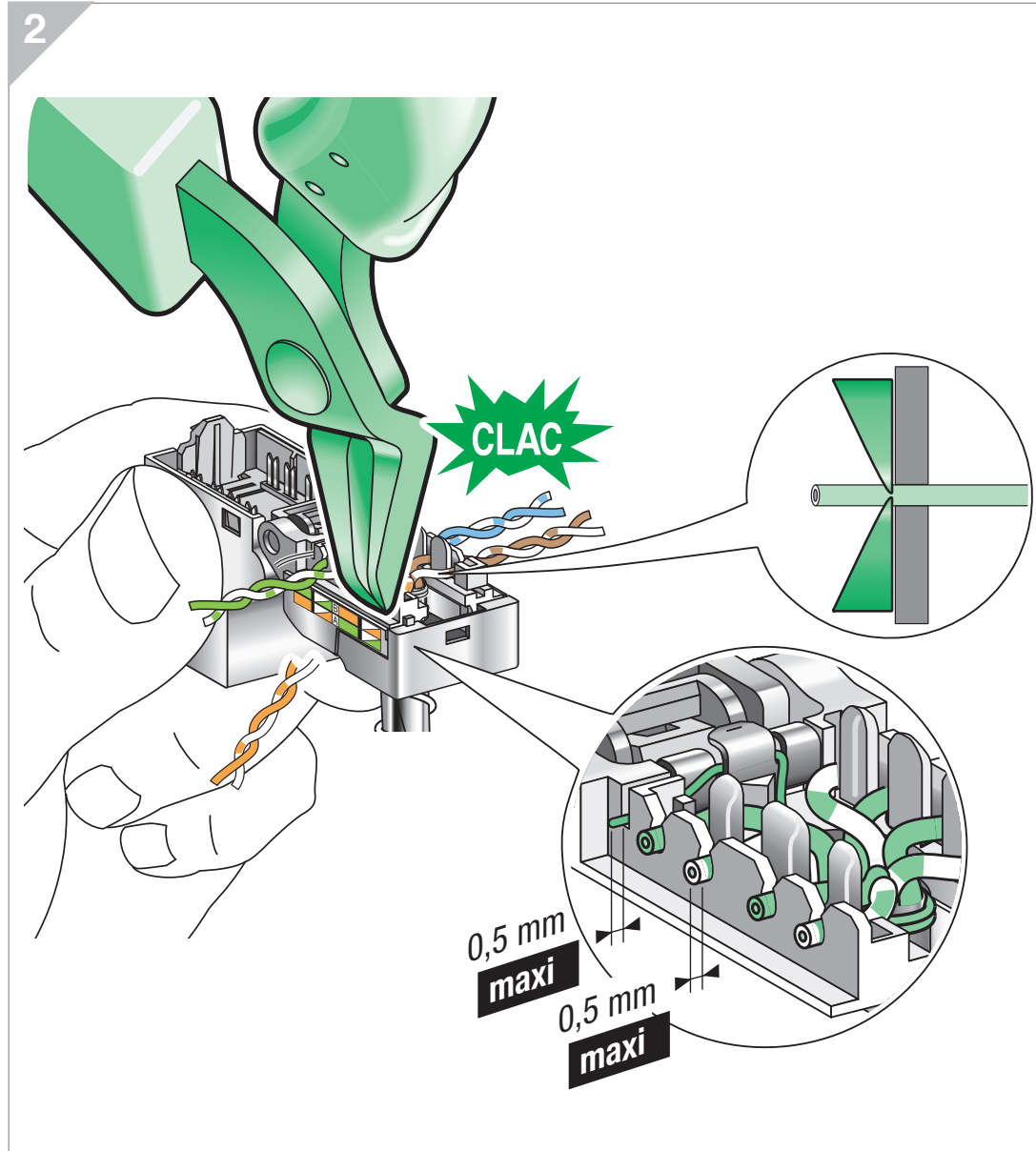
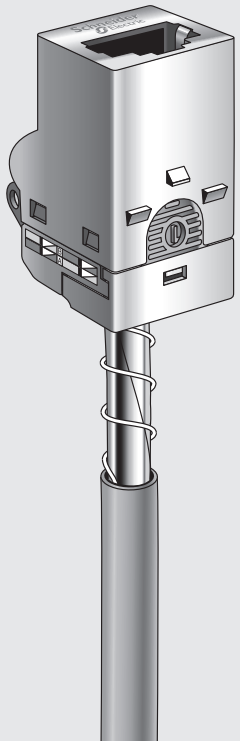
# Connector connection

## Grade 2 TV



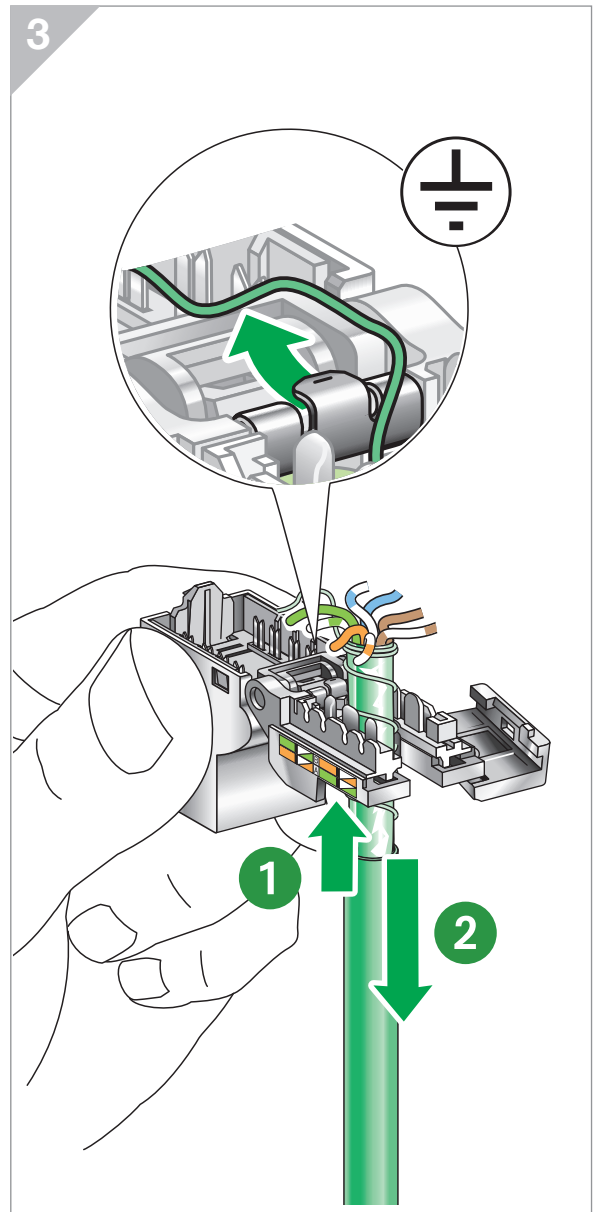
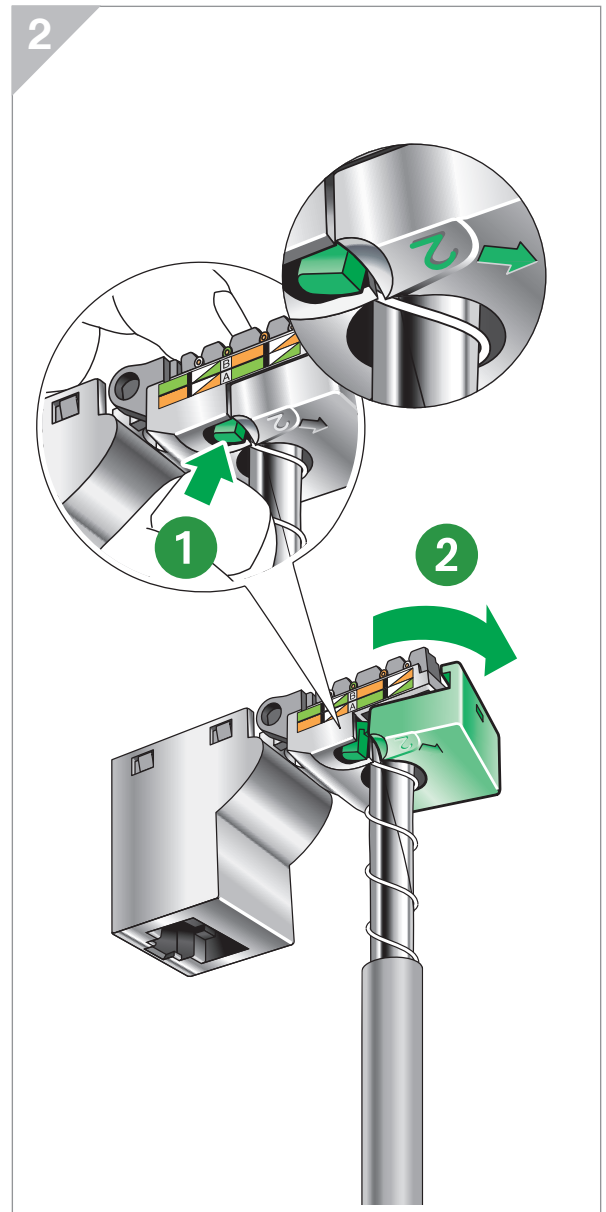
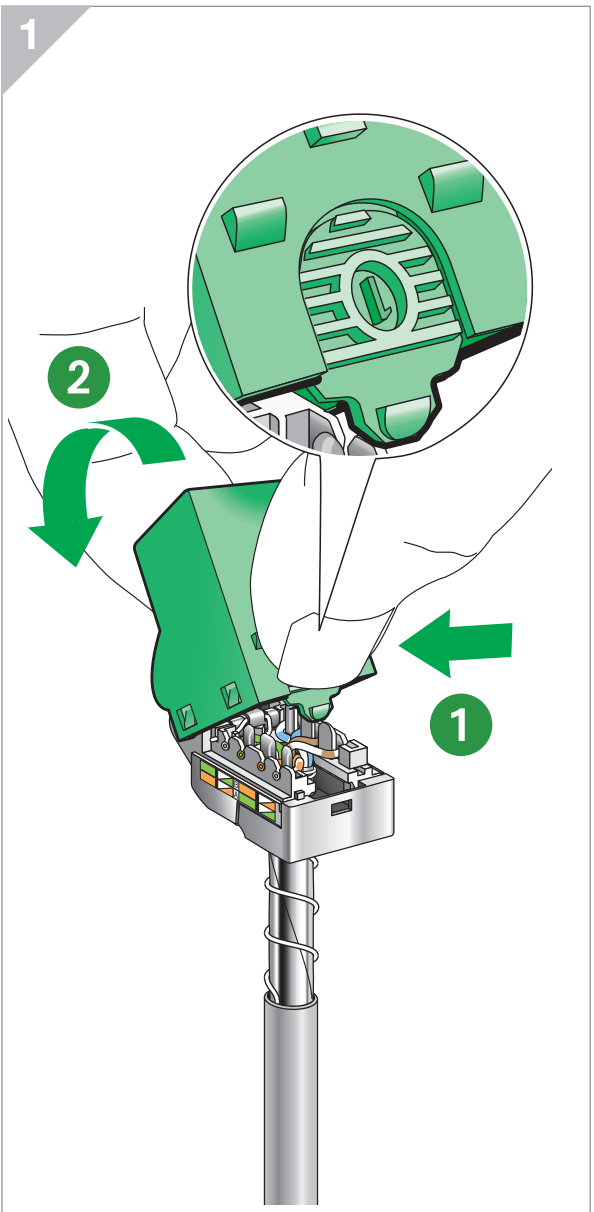
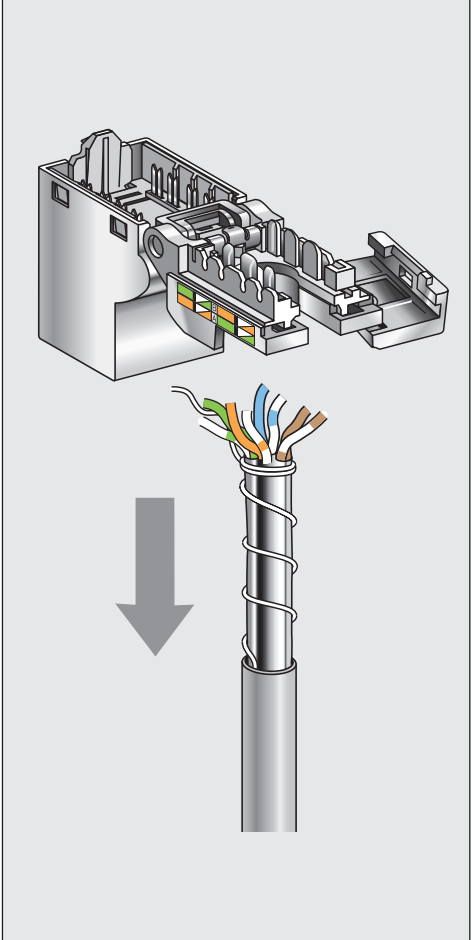
# Connector connection

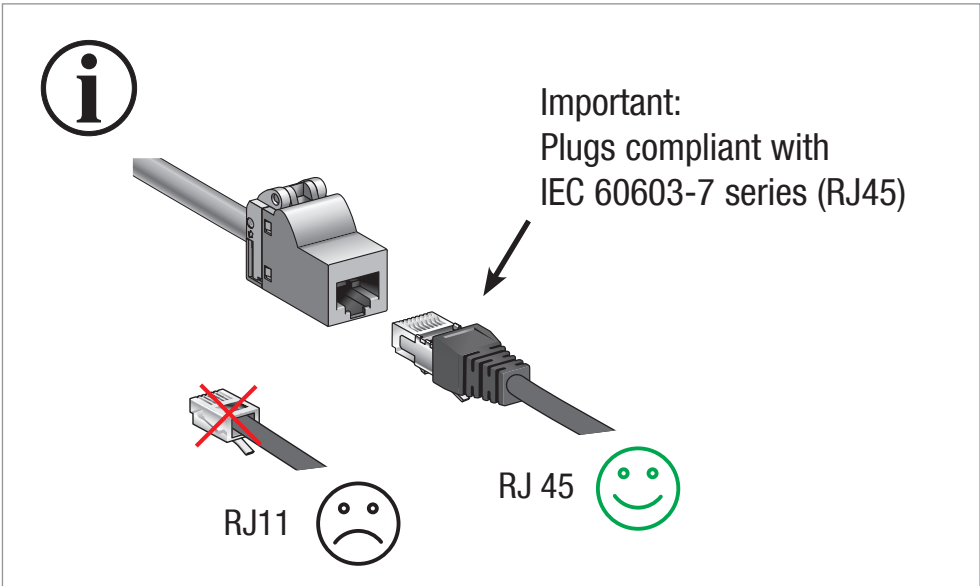
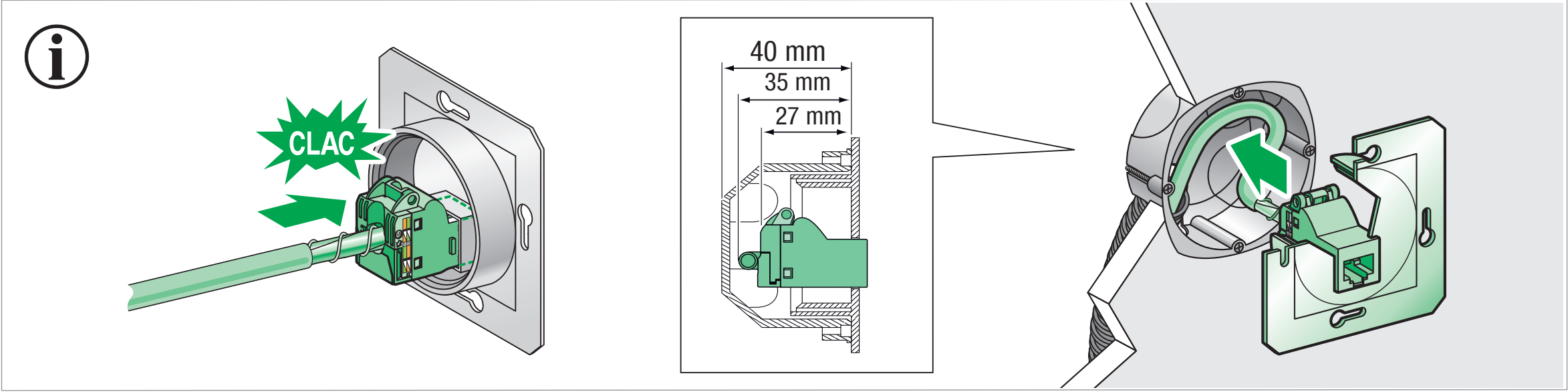
## Grade 2 TV



# Connector disconnection

## Grade 2 TV



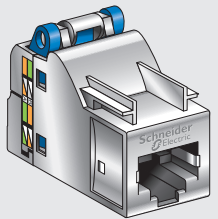




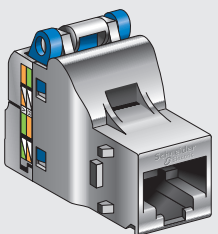
# Composition

## Shielded connector

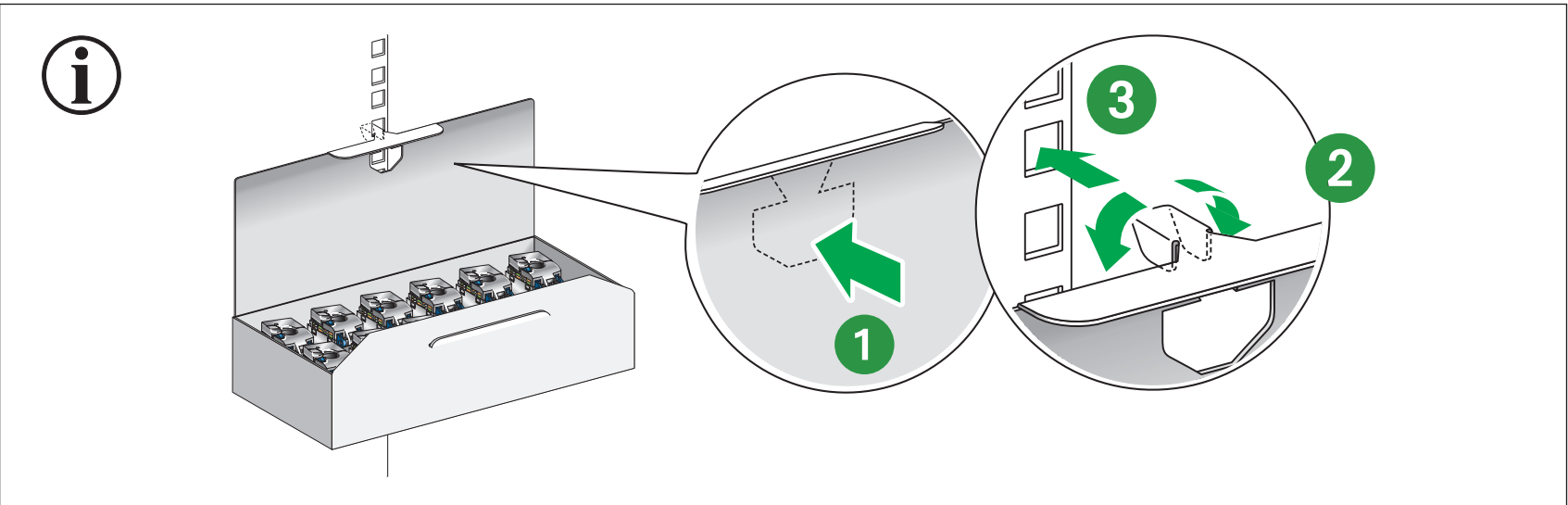
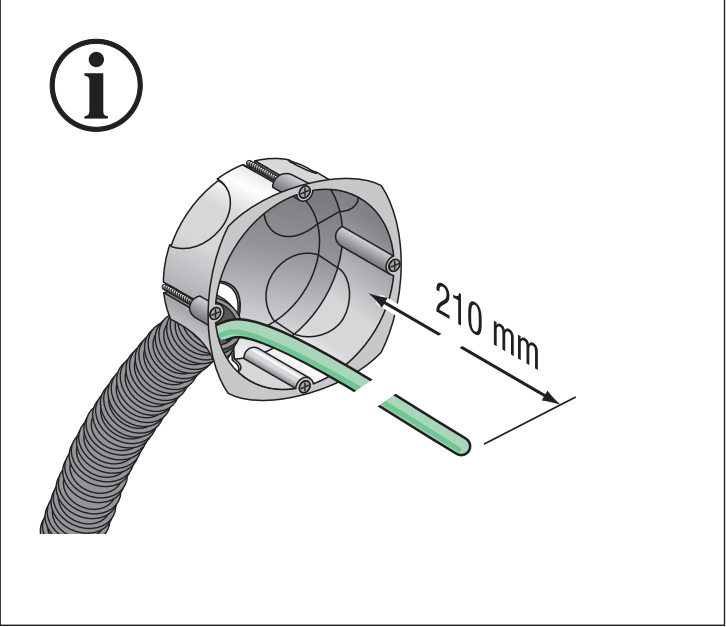
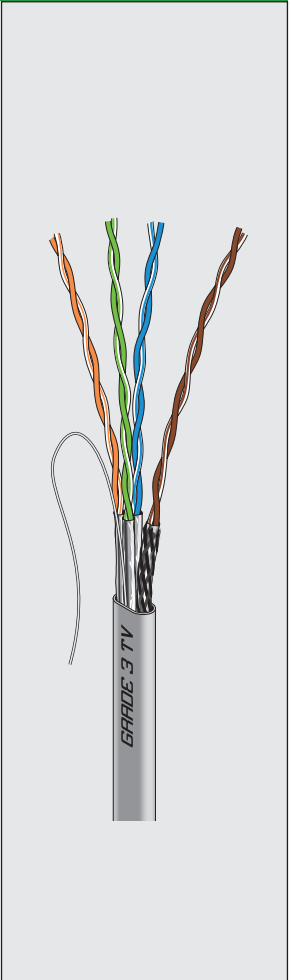
S-One



S-One DPM

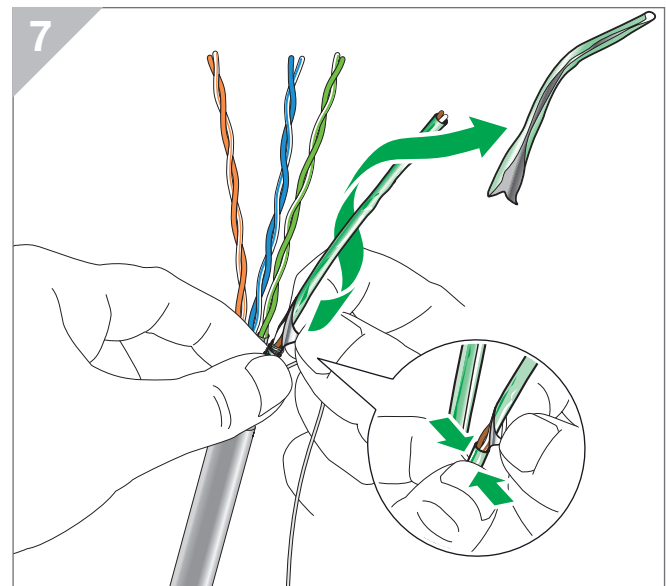
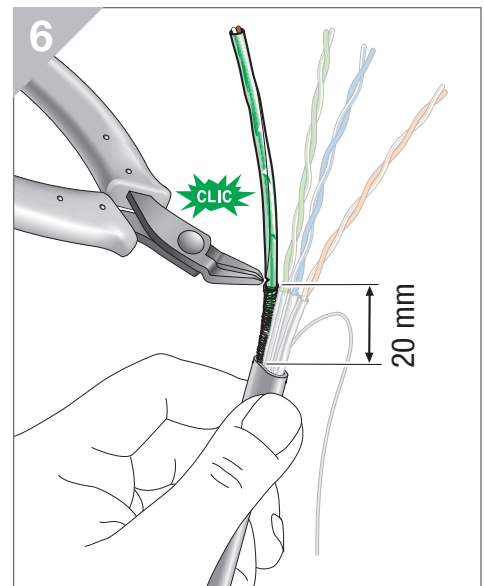
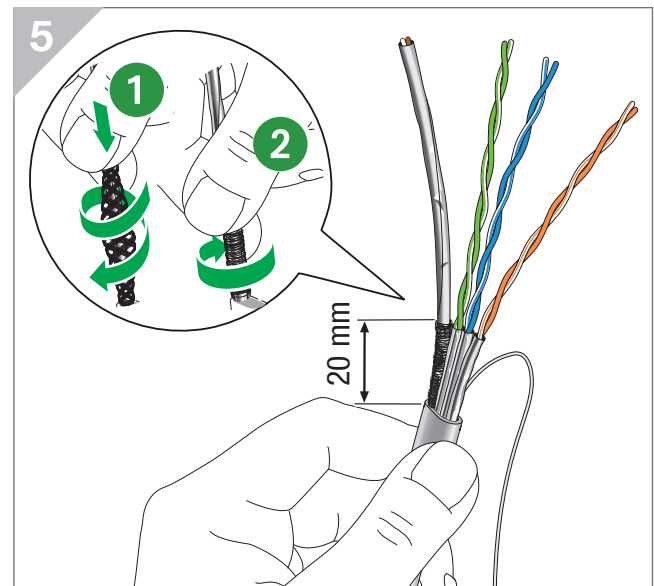
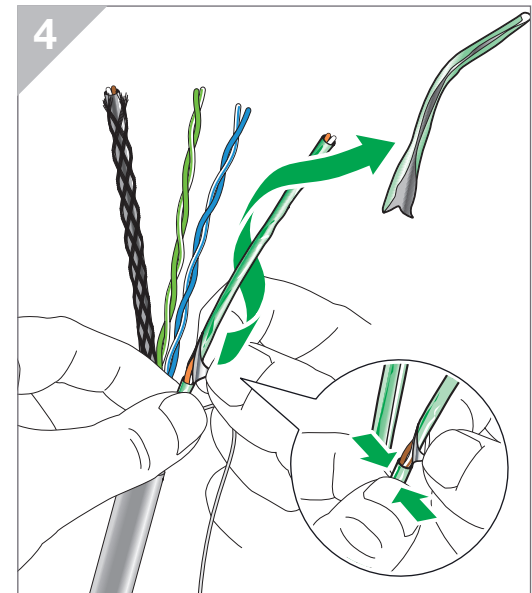
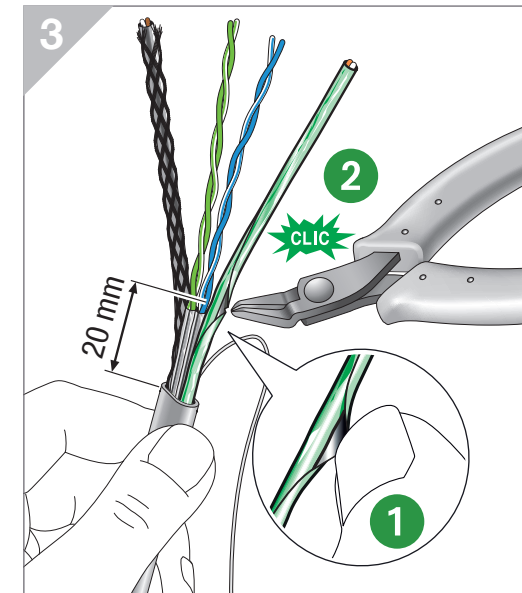
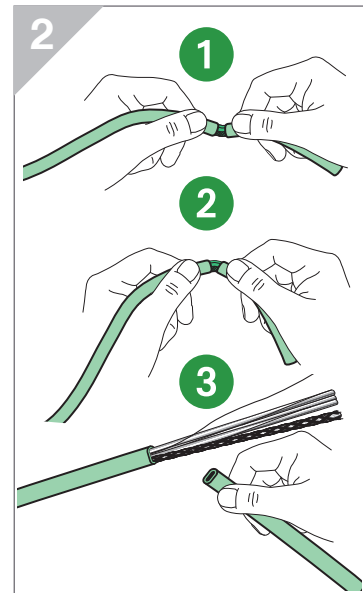
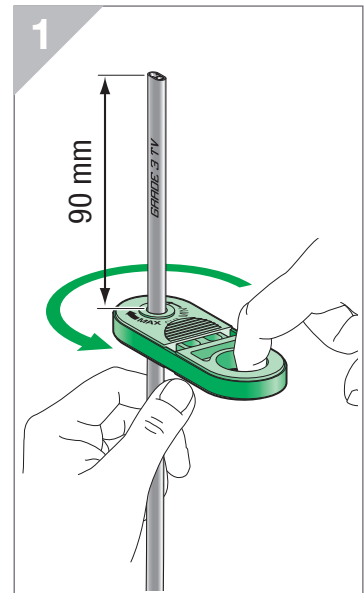
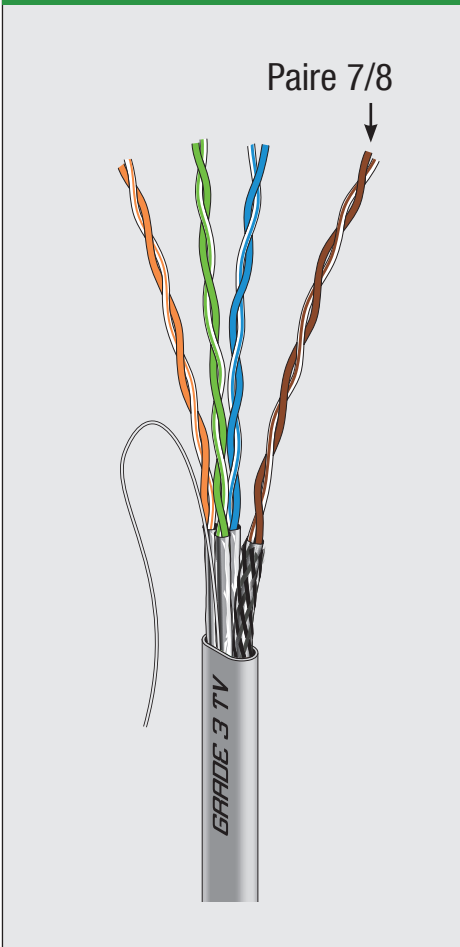


## Grade 3 TV



# Cable preparation

## Grade 3 TV

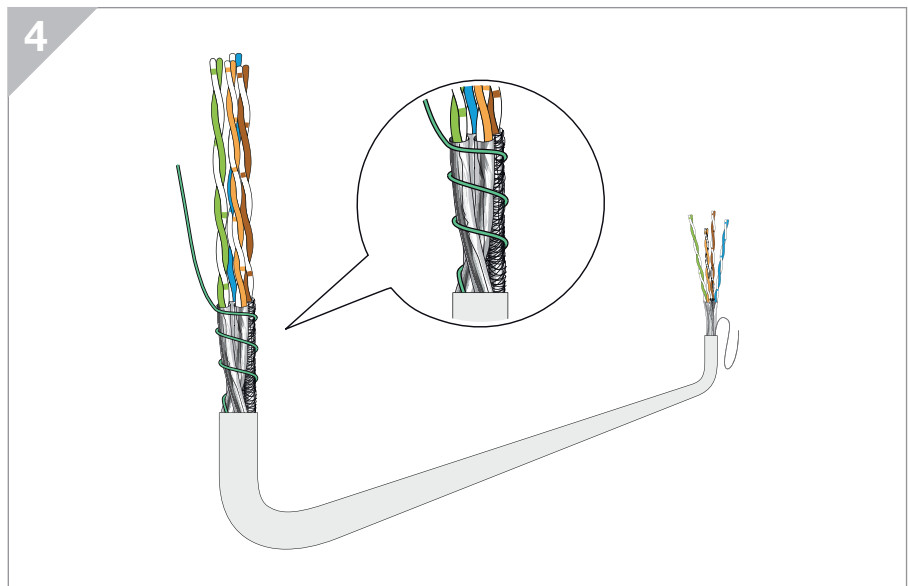
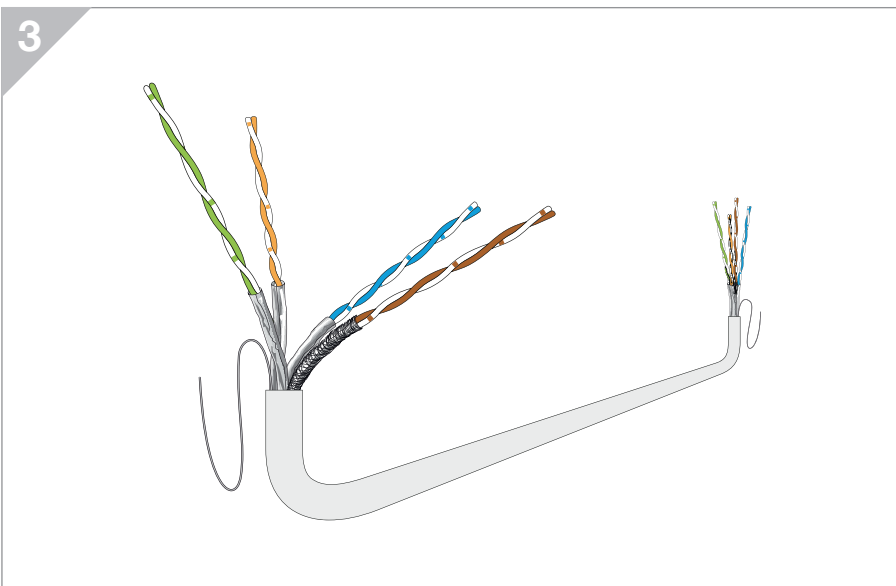
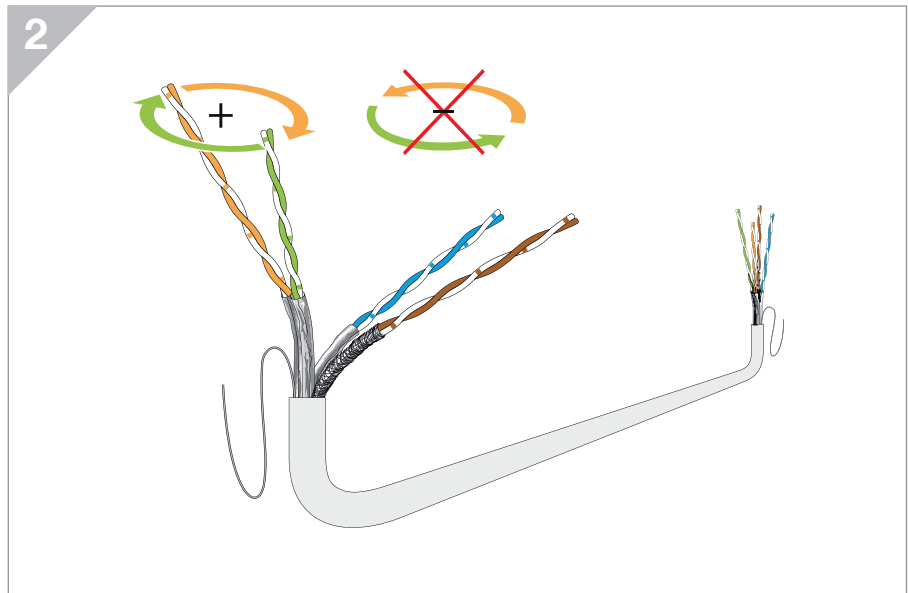
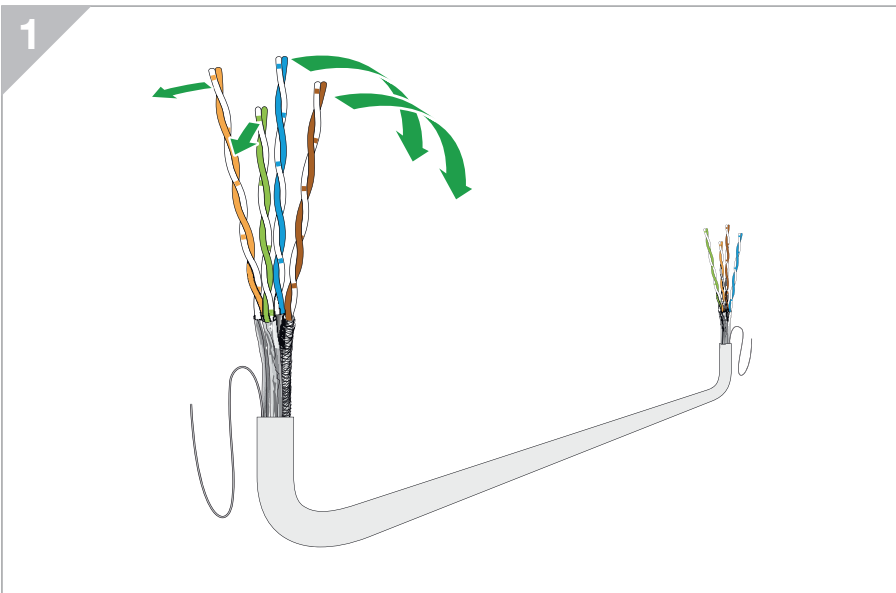
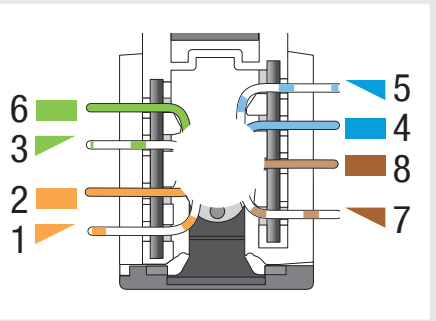


# Pairs crossing

## Grade 3 TV

How to prepare a Grade 3 TV cable with EIA-TIA 568B to reach high performance

EIA-TIA 568B (100Ω)

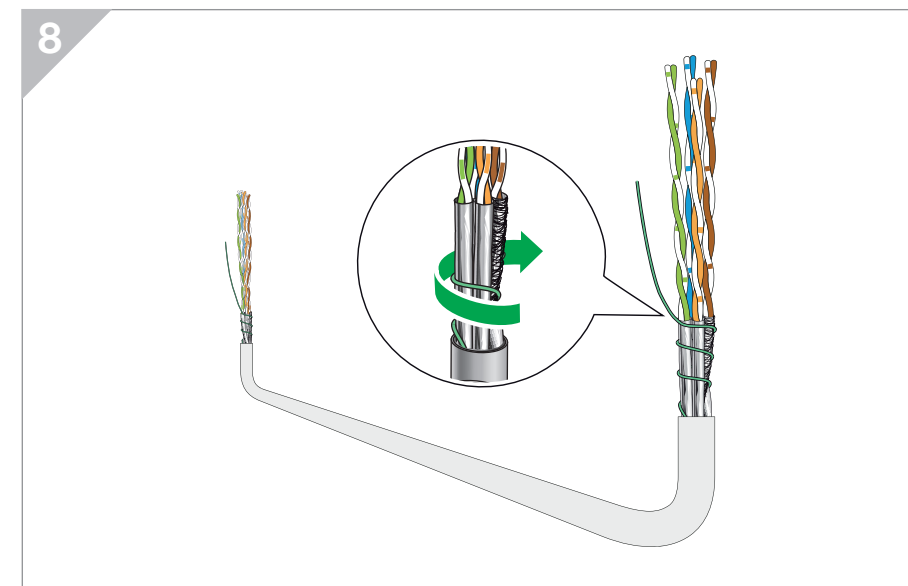
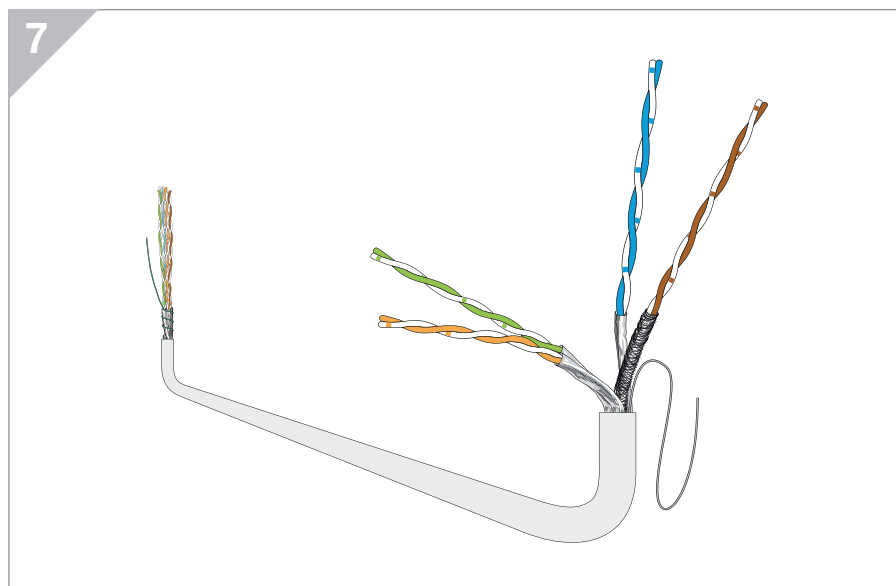
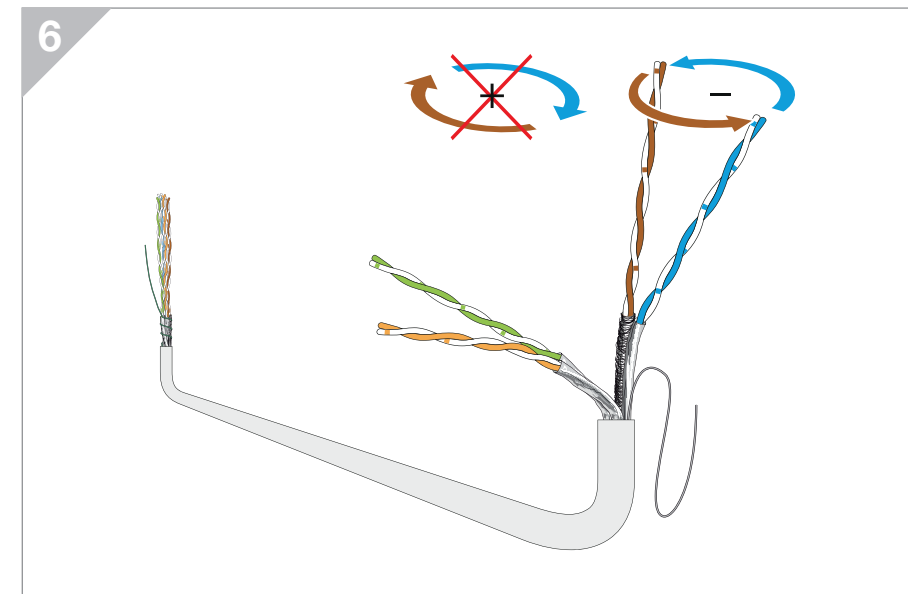
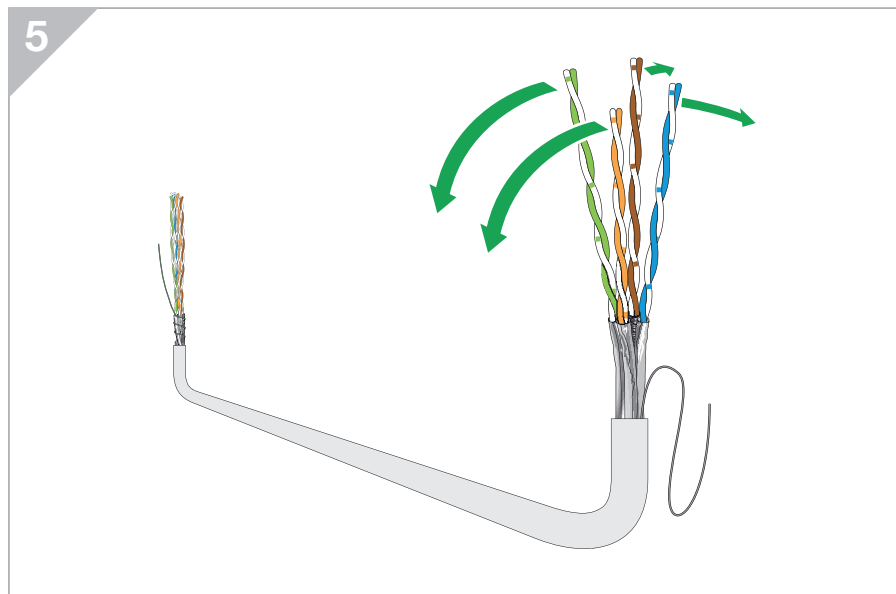
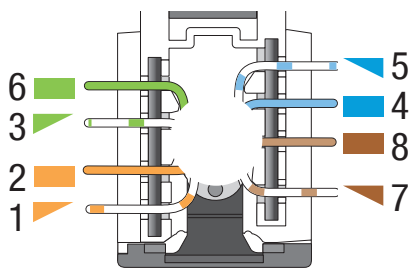


# Pairs crossing

## Grade 3 TV

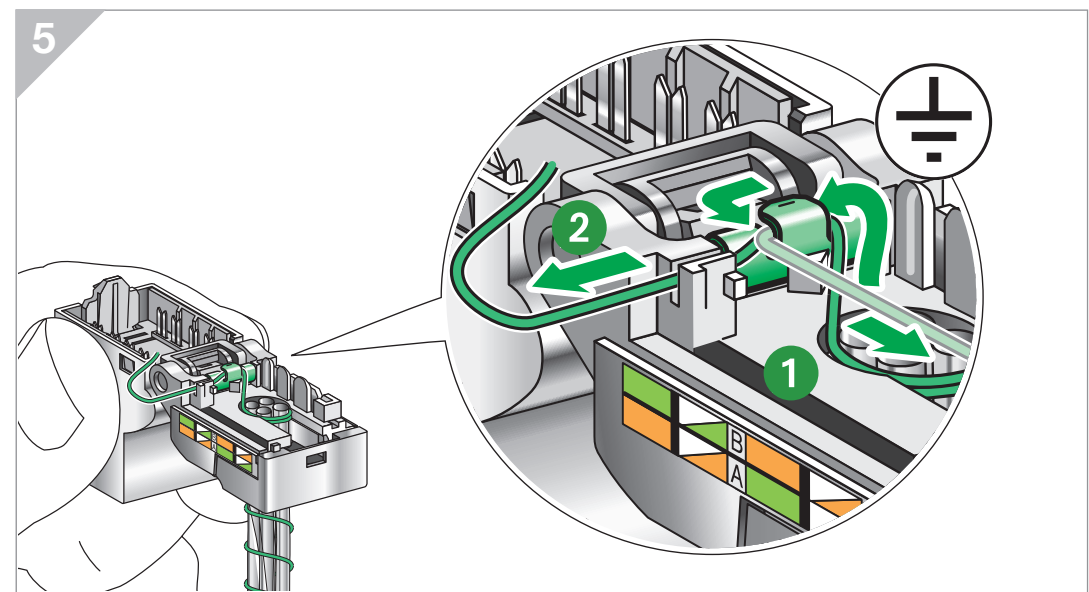
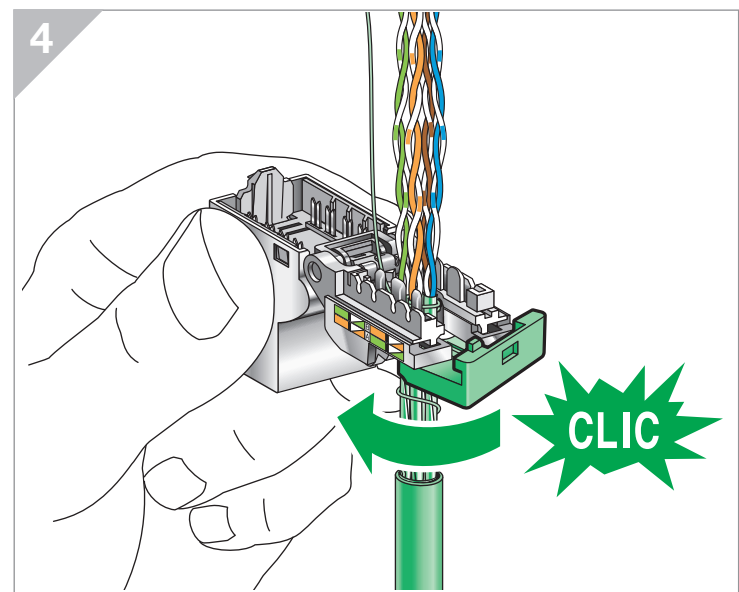
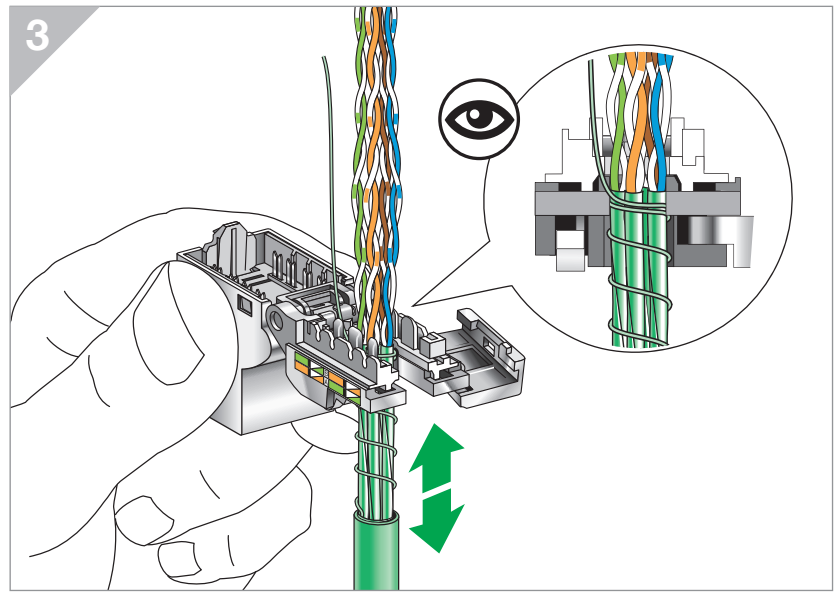
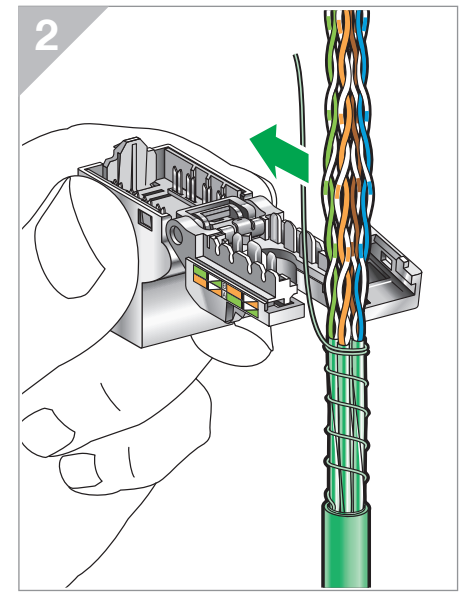
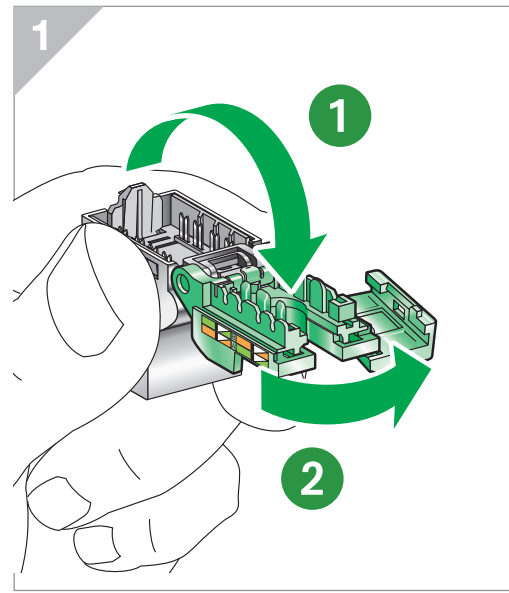
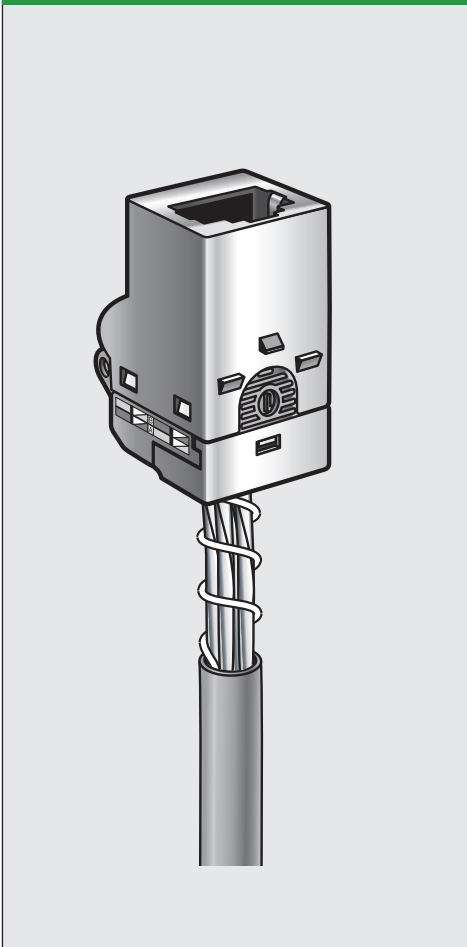
How to prepare a Grade 3 TV cable with EIA-TIA 568B to reach high performance

### EIA-TIA 568B (100Ω)



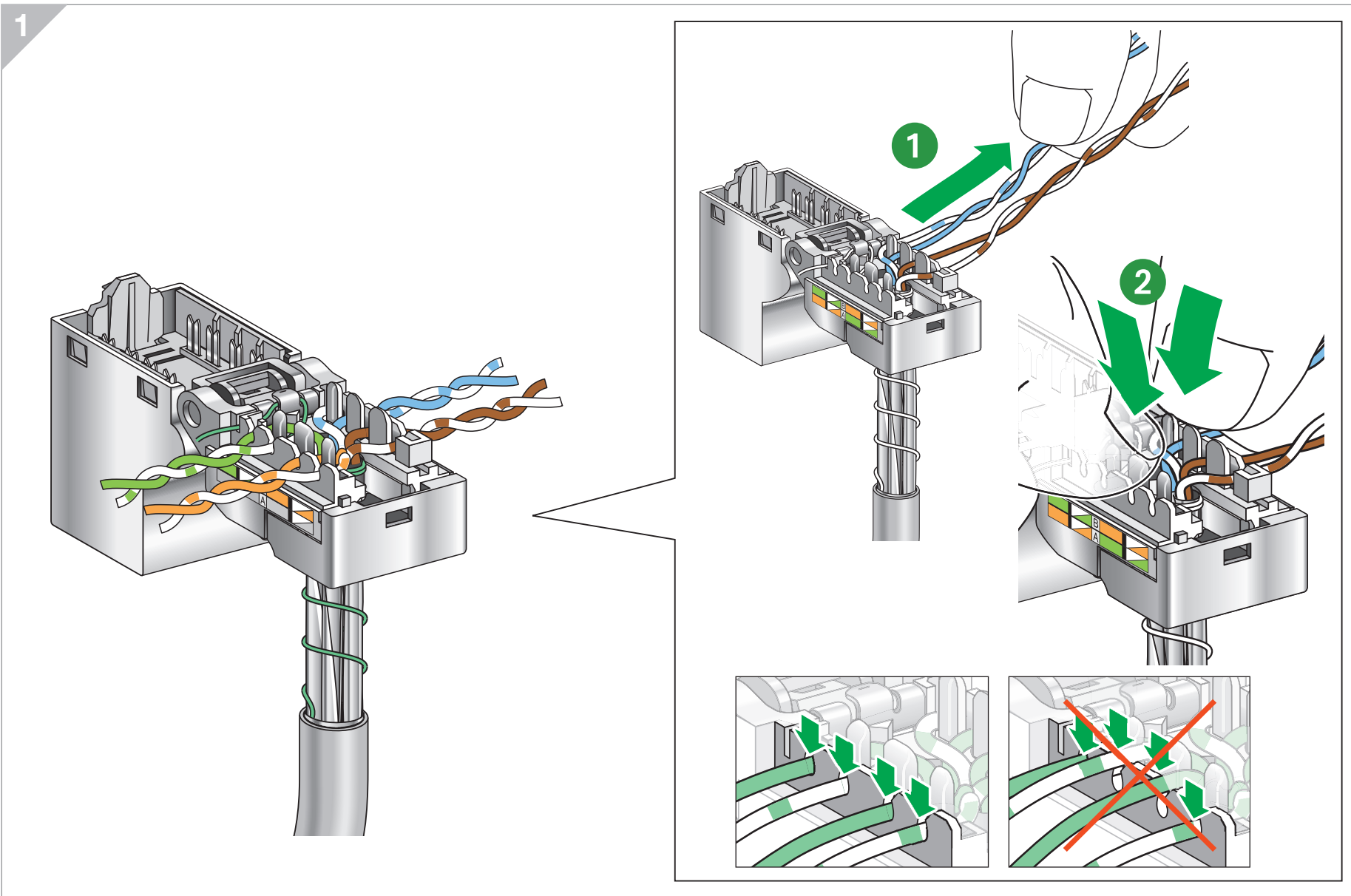
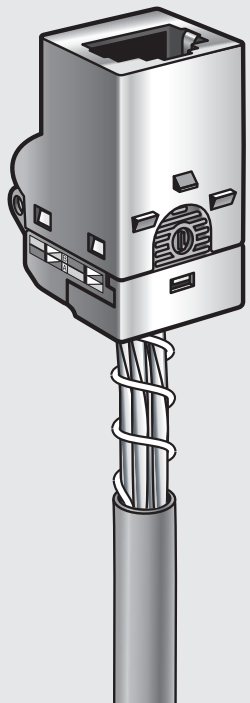
# Connector wiring

## Grade 3 TV



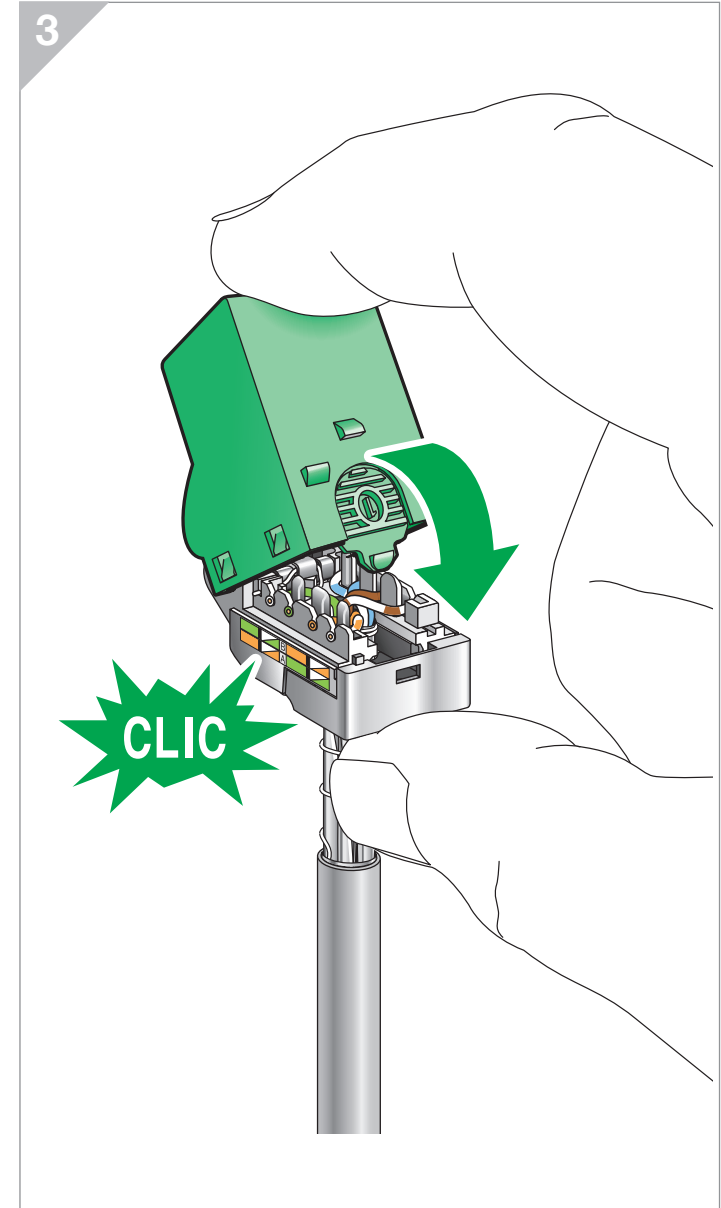
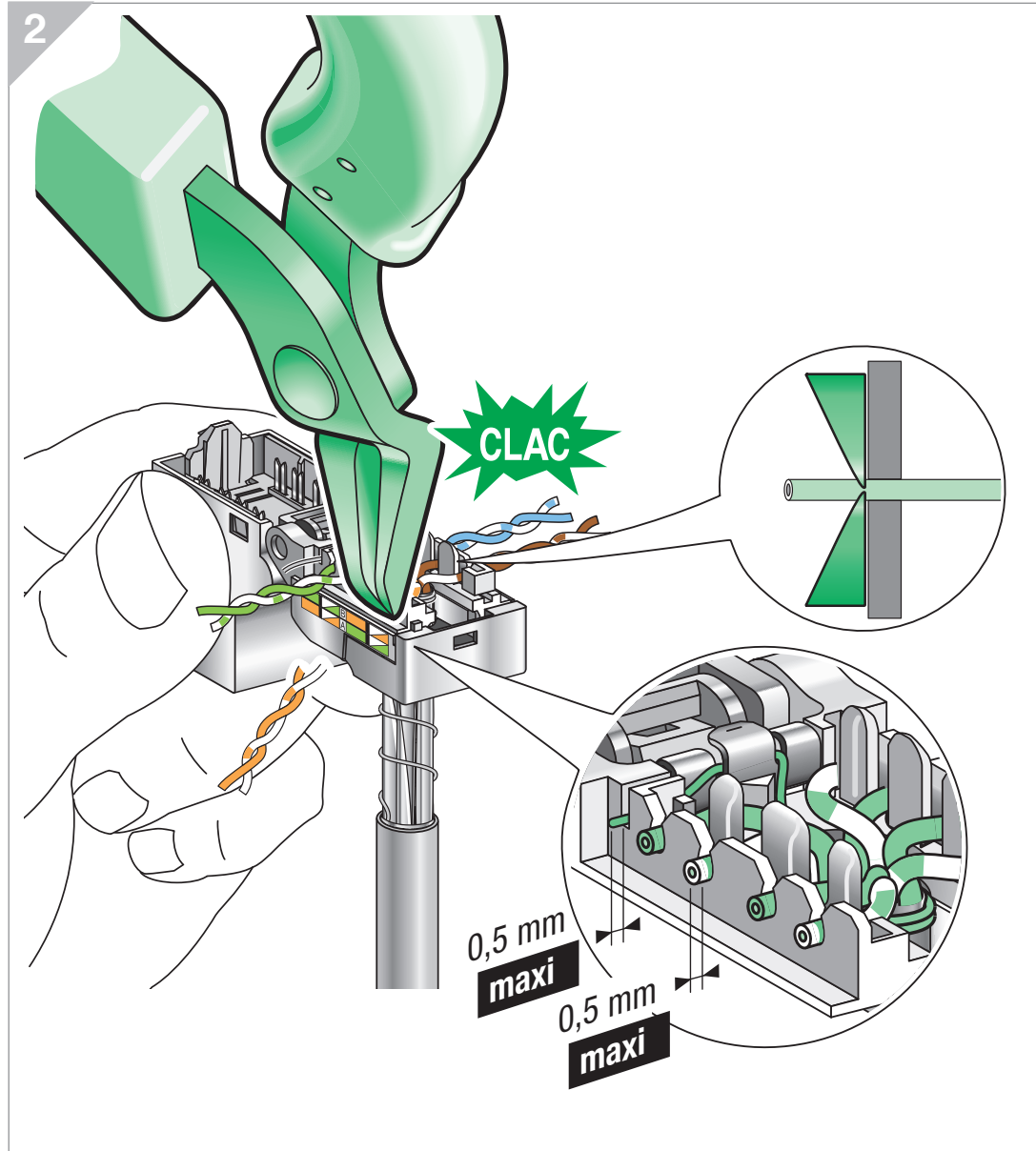
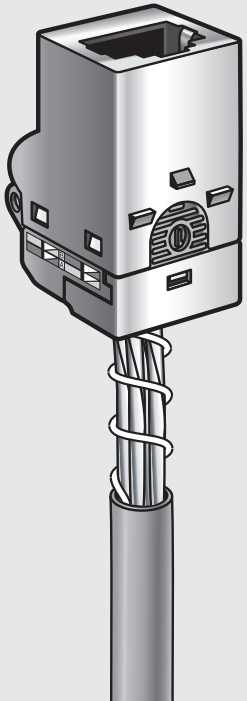
# Connector connection

## Grade 3 TV



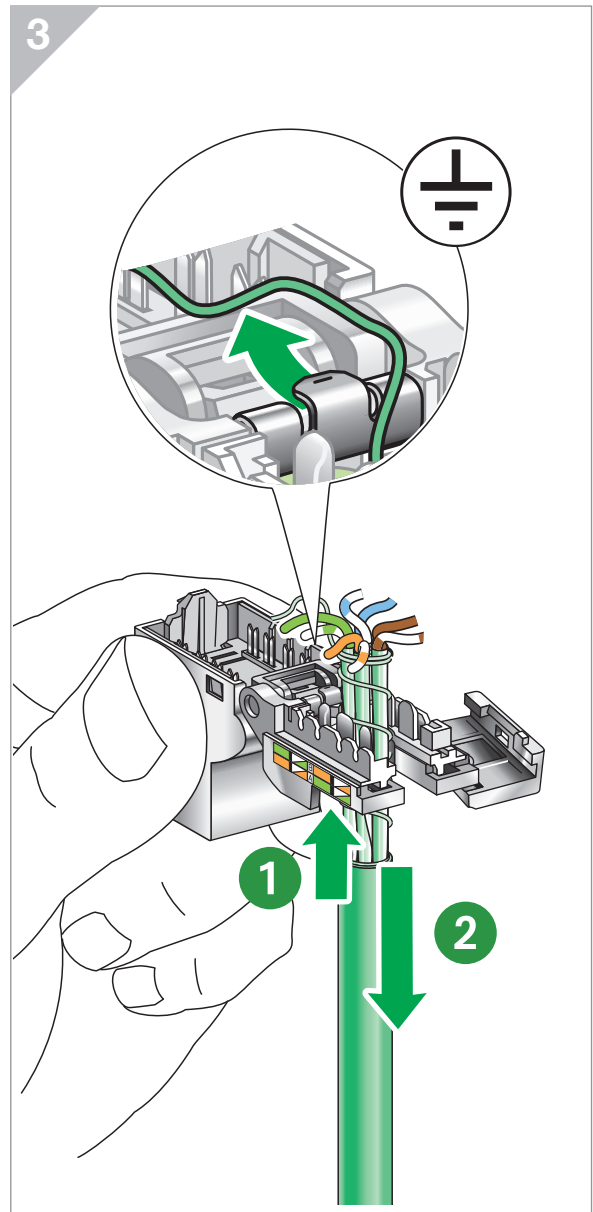
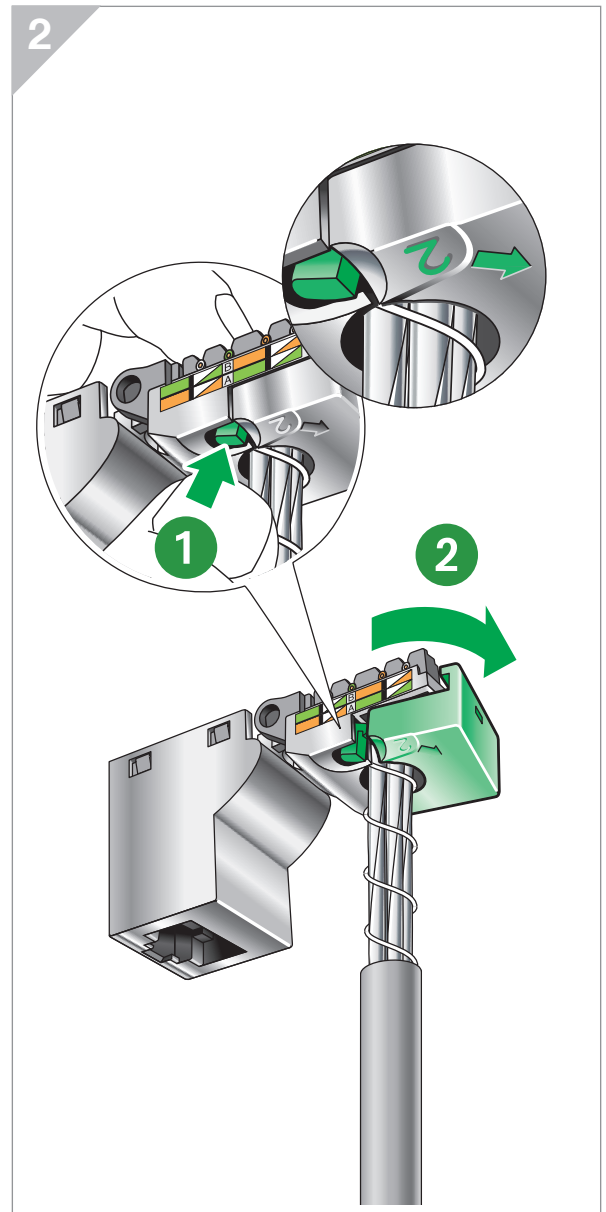
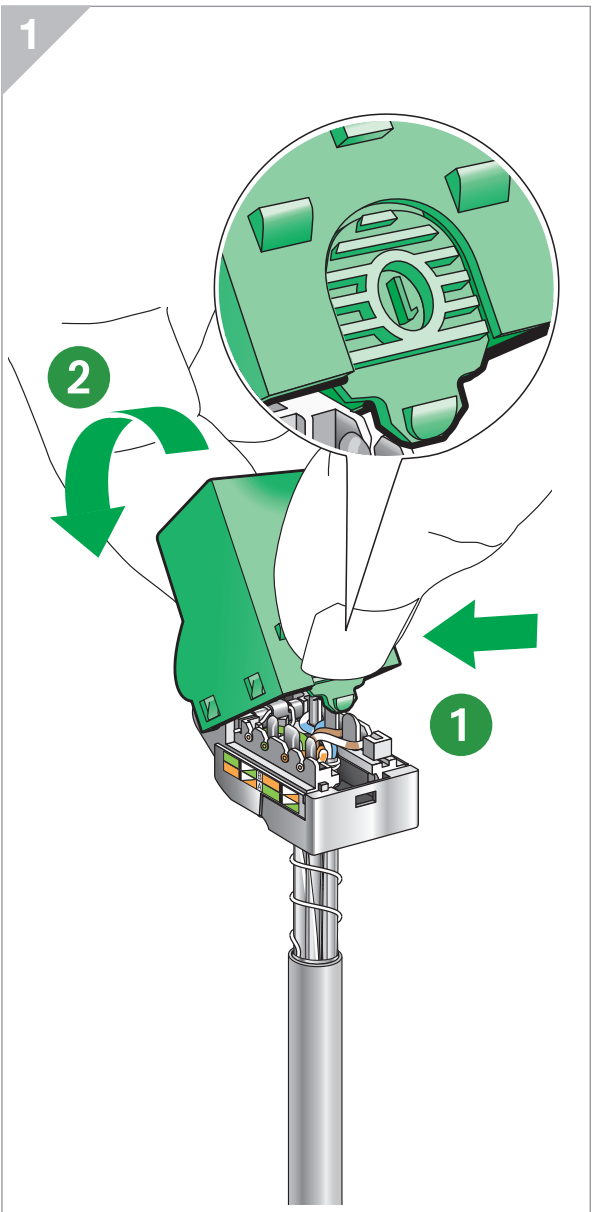
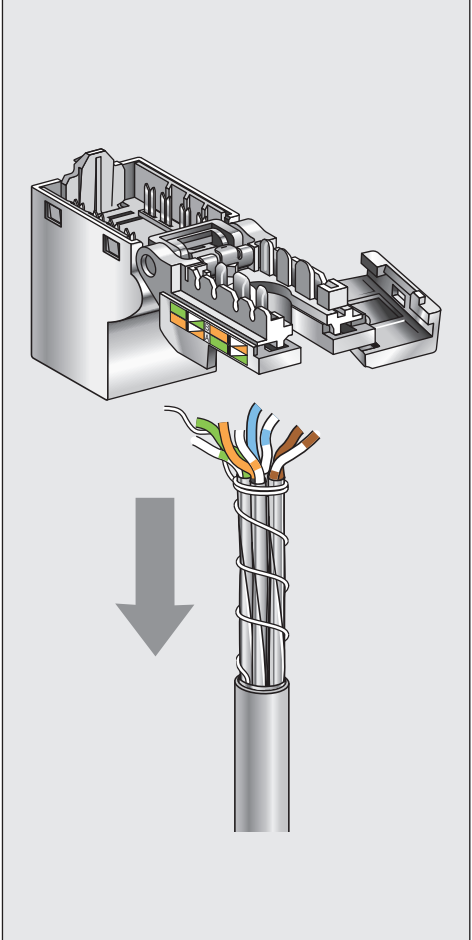
# Connector connection

## Grade 3 TV

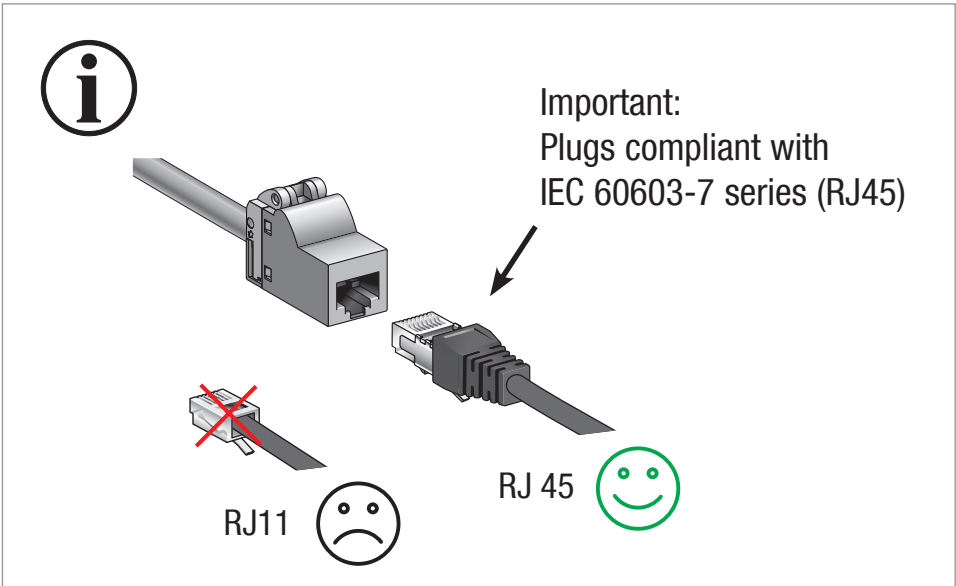
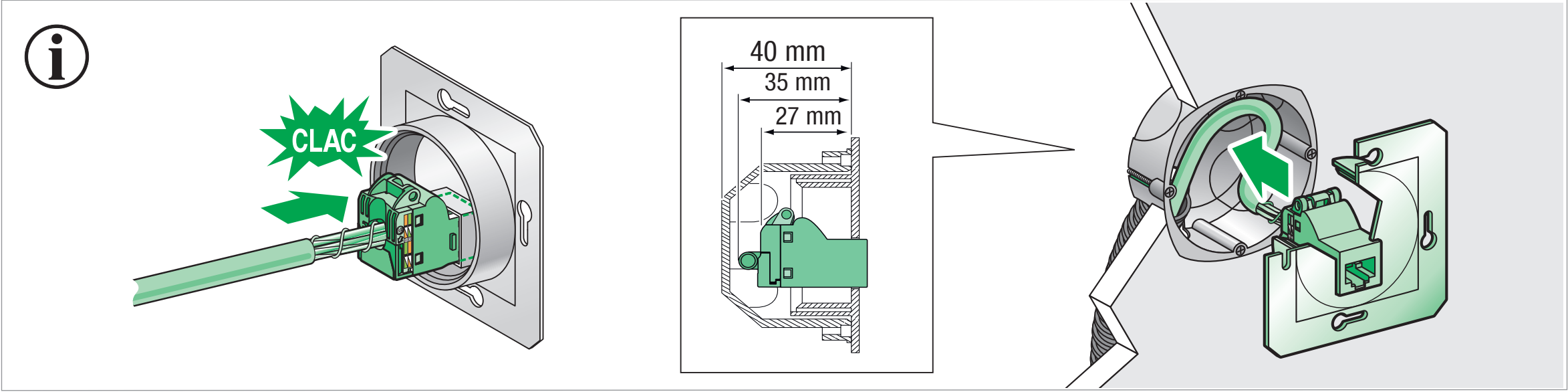


# Connector disconnection

## Grade 3 TV







**Schneider Electric Industries SAS**

35, rue Joseph Monier  
92500 Rueil-Malmaison, France

**[www.schneider-electric.com](http://www.schneider-electric.com)**

*Ce produit doit être installé, connecté et utilisé conformément aux normes applicables et/ou règles d'installation.*

*Du fait que les normes, les spécifications et les schémas peuvent être modifiés, nous vous recommandons de vérifier que la documentation de cette publication soit mise à jour.*

*This product must be installed, connected and used in compliance with applicable standards and/or installation regulations.*

*As standards, specifications and designs develop from time to time, always ask for confirmation of the information given in this publication.*