

FRAME 25

Rundt spejl, ø550 mm

MÅL

Bredde	550 mm
Dybde	23 mm
Højde	550 mm

FARVE OG FINISH

	144 Spejl
---	-----------

MULIGHEDER

F900 - FRAME 25

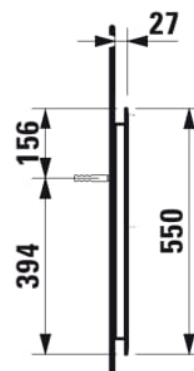
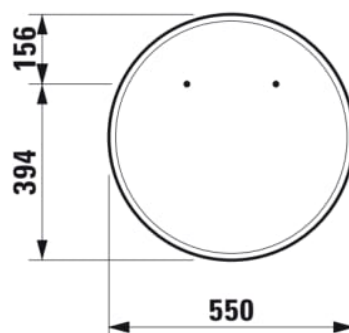
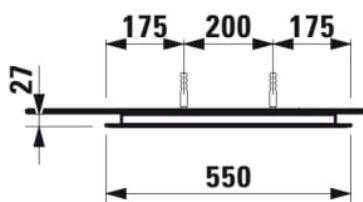


Form : Rund

Installationstype : Væghængt

Nettovægt (kg) : 2,7

TEKNISKE TEGNINGER





FRAME 25

LAUFEN has developed a mounting frame for the practical mirror cabinets in its Frame 25 series, allowing these products to be installed flush into niches, wall-mounted installations or walls. The anodised aluminium frame is easy to install, and allows the mirror cabinet to be mounted at the end of the construction phase, offering additional protection against breakage. A special handle is available to ensure ease when opening the built-in mirror cabinets.

