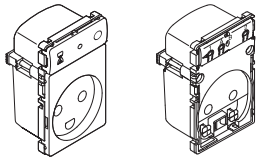


by Schneider Electric

FUGA® Timer socket outlet 10 A

Operating instructions



FUGA® Timer socket outlet 10 A (White)

Art. no. 506D6712

FUGA® Timer socket outlet 10 A (without cover)

Art. no. 506D0712

Necessary accessories

- Front cover (only for Art. no. 506D0712)

Accessories

- All FUGA 1 1/2, 2 1/2 and 3 1/2 design frames

For your safety



DANGER

Risk of serious damage to property and personal injury, e.g. from fire or electric shock, due to incorrect electrical installation.

Safe electrical installation can only be ensured if the person in question can prove basic knowledge in the following areas:

- Connecting to installation networks
- Connecting several electrical devices
- Laying electric cables

These skills and experience are normally only possessed by skilled professionals who are trained in the field of electrical installation technology. If these minimum requirements are not met or are disregarded in any way, you will be solely liable for any damage to property or personal injury.



DANGER

Damages or risk of fire can occur due to non switched off connected devices.

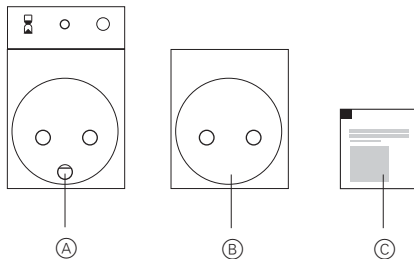
After the timeout the socket outlet is switched off, but not the connected device itself!

Be aware that the connected device is also switched off to prevent damages or the risk of fire (e. g. by overheating of a connected water boiler).

Application

Fuga Timer Socket 10A is intended for use in front of electrical appliances, where it's requested to automatically turn off after an indicated time. Factory setting is 30 minutes. For example, in front of a coffeemachine, iron, etc. This can secure a lower energy consumption and provide safety.

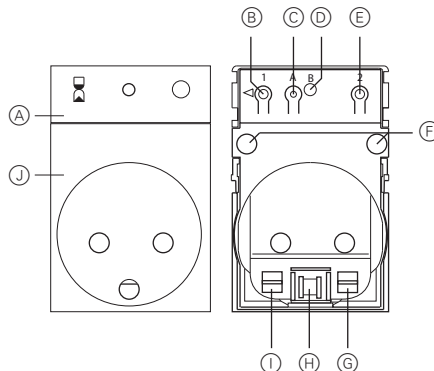
Scope of delivery



- (A) FUGA timer socket outlet
- (B) Exchange cover
- (C) Operating instruction

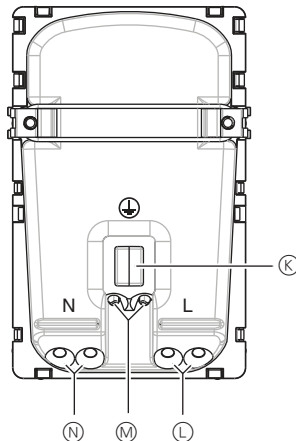
Construction

Front view



- (A) Rocker
- (B) Button (1): Time on/hours
- (C) Button (A): Reset
- (D) Status LED
- (E) Button (2): Time off/minutes
- (F) Fixing screw for claws
- (G) Release button: Conductor fixing (N)
- (H) Earth claim
- (I) Release button: Conductor fixing (L)
- (J) Front cover (changeable)

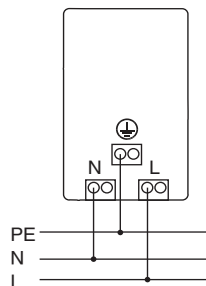
Rear view



- (K) Release button: Conductor fixing (PE)
- (L) Connection terminal: L
- (M) Connection terminal: PE
- (N) Connection terminal: N

Installation

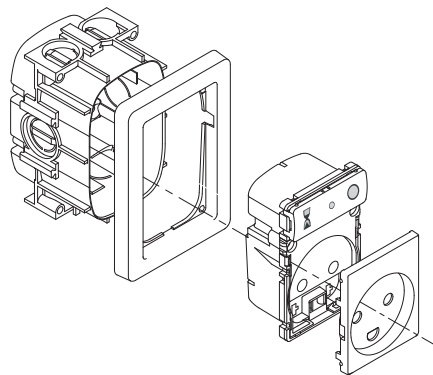
Diagram



Mounting

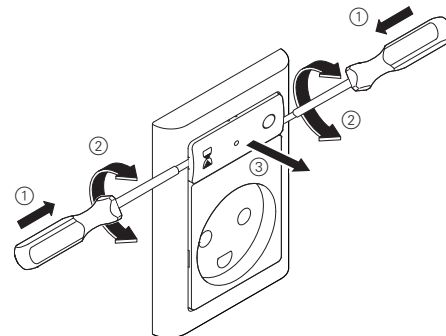


The timer socket outlet is compatible in all 1 1/2 module boxes. Hollow, Brick and concrete boxes. When used in surface mounted boxes, then the high frames are needed.



Removing the rocker

To program the power socket, the rocker must be removed first.



- 1 Insert a screwdriver or similar tool into the left and right side respectively
- 2 Wiggle and tilt it until the rocker loosens at the sides
- 3 Remove the rocker to get access to buttons and LED for programming

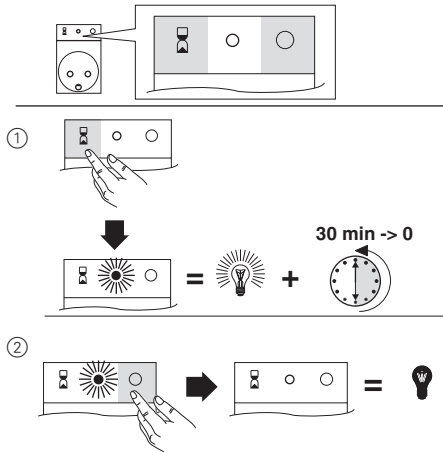
Operating

i After switching on the mains voltage the timer socket outlet is operating with the default timer setting (30 min).

There are two ways of operating the FUGA timer socket outlet:

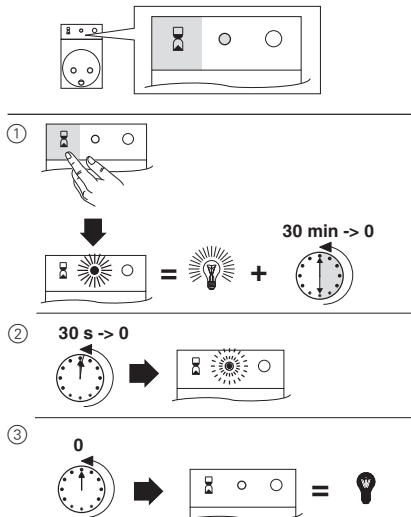
- automatic OFF mode
- manual OFF mode

Manual OFF mode



- 1 Press left rocker: the socket outlet is switched on with default timer setting and the status LED is lighting green.
- 2 Press right rocker: socket outlet is switched off independently of the running time.

Automatic OFF mode



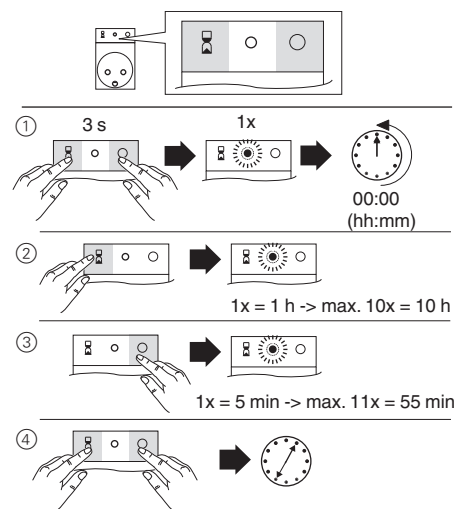
- 1 Press left rocker: the socket outlet is switched on with default timer setting and the status LED is lighting green.
- 2 30 s before timeout: status LED flashes green until timeout elapsed.
- 3 Timeout: after the set time is up the socket outlet is switched off and the status LED is off.

i To extend a set run time, you first need to stop this run time by pressing the right rocker. After that you can restart the run time by pressing the left rocker.

Pressing only the left rocker does not affect the run time.

Setting the run time

You can set the time from 00:05 to 10:55 (hh:mm) at the FUGA timer socket outlet.



- 1 Press the left and the right rocker simultaneously for min. 3 s: the status LED flashes red (1x) and the timer is blank.
- 2 Press the left rocker for setting the desired hours (1x = 1 h; max. 10x = 10 h). The status LED flashes red with each press.
- 3 Press the right rocker for setting the desired minutes (1x = 5 min; max. 11x = 55 min). The status LED flashes green with each press.
- 4 Press again the left and the right rocker simultaneously: the new set time is stored. The status LED first flashes red to indicate the set hours and afterwards flashes green to indicate the set minutes. Pressing both rockers after 5 s nothing is stored and the original value remains!

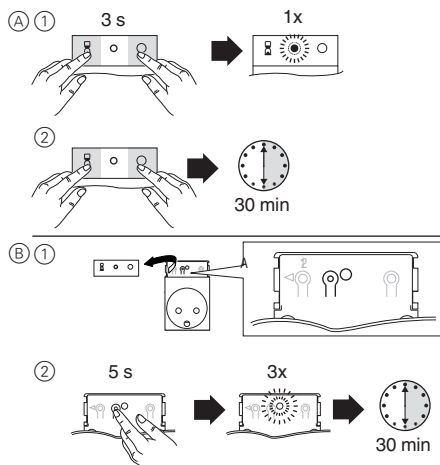
Example: Setting a new time by following the steps described above. First execute step 1, press the left rocker 1x at step 2 and the right rocker 7x at step 3, then store the settings at step 4.

The behaviour of the status LED is now: 1x flashing red first and then 7x flashing green = new set time is now 01:35 (hh:mm).

Resetting the device to the default settings (Factory reset)

There are two ways of resetting the timer socket outlet:

- A Using the left and right rocker
- B Using the reset button (A) behind the top cover



Trouble shooting

Power or mains failure

i After a power or mains failure the FUGA timer socket outlet remains switched off.

Technical data

Power supply:	AC 230 V; 50 Hz
Stand-by consumption:	0.3 W
Display elements:	1x status LED (red/green)
Operating elements:	3x push buttons
Output	
Nominal voltage:	AC 230 V, 50 Hz
Nominal current:	10A, cos φ = 1
Switchable power	
LED/CFL lamps:	100 W
Incandescent lamps:	AC 230 V, max. 2300 W
Halogen lamps:	AC 230 V, max. 2000 W
Fluorescent lamps:	AC 230 V, max. 2300 VA/ 140 µF, parallel compensated
LV-Halogen lamps with wounded transformer:	AC 230 V, max. 1000 VA
Motor load:	AC 230 V, max. 1000 VA
Connections	
Output:	With/without earth claim (depending on used cover)
Input (L, N, PE):	Screwless terminal for max. 3x2.5 mm ² wire
Ambient temperature	
Operation:	-25 °C to +35 °C
Ambient conditions:	Up to 2,000 m above sea level
Max. humidity:	93 %, no moisture condensation
Protection:	Micro circuit breaker max 13 A
Protection rating:	IP 20
Dimensions (HxWxD):	75x45x35 mm (1 ^{1/2} FUGA module)

Further informations:

Find more documentation under www.LK.dk. Here you find manuals and databases.



Dispose of the device separately from household waste at an official collection point. Professional recycling protects people and the environment against potential negative effects.

Lauritz Knudsen

Schneider Electric Danmark A/S · Lautrupvang 1 · 2750 Ballerup · Phone 88 30 20 00 · www.lk.dk