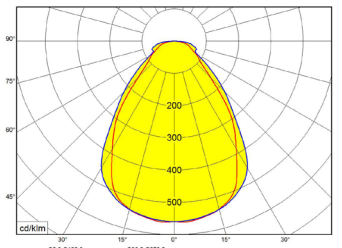
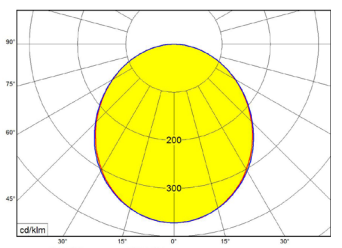




η_{ef} (lm/W)
87-106



SBL KN



SBL KO

LED luminaires

Body:
Eloxal or painted aluminium profile – see page 91 for available colors

Optic:
KN - microprismatic cover
KO - opal PS cover

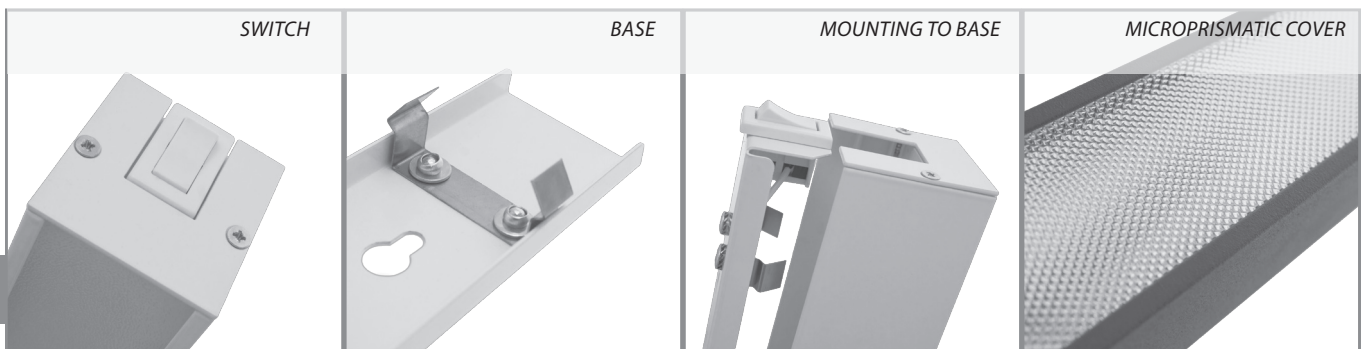
Versions:
SBL ... luminaire with a switch, Elox surface
SBL /B ... white painted luminaire
SBL /R ... luminaire for installation to a line
SBL /X ... without switch

Application:
Luminaire for general using in residential or common space
Can be installed into straight or oblique lines.

Accessories:
SBLSP0JK - connection part - cross, for SBL/R, incl. wiring, elox
SBLSP0JP - straight connection part, for SBL/R, elox
SBLSP0JR - connection part - oblique 90dg., for SBL/R, incl. wiring, elox
SBLSP0JT - connection part - T shape, for SBL/R, incl. wiring, elox
Connection parts are not equipped with LED chips – they are not lit.
ZH/UNI4 - suspension set (2 hanging points – one set for 2 luminaires)

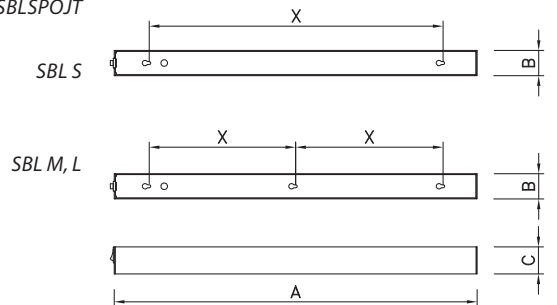
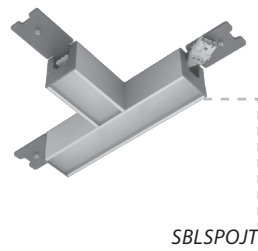
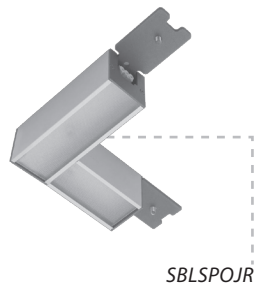
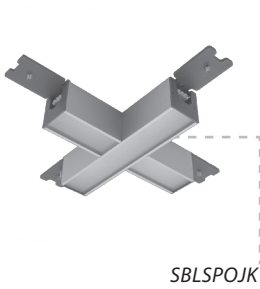
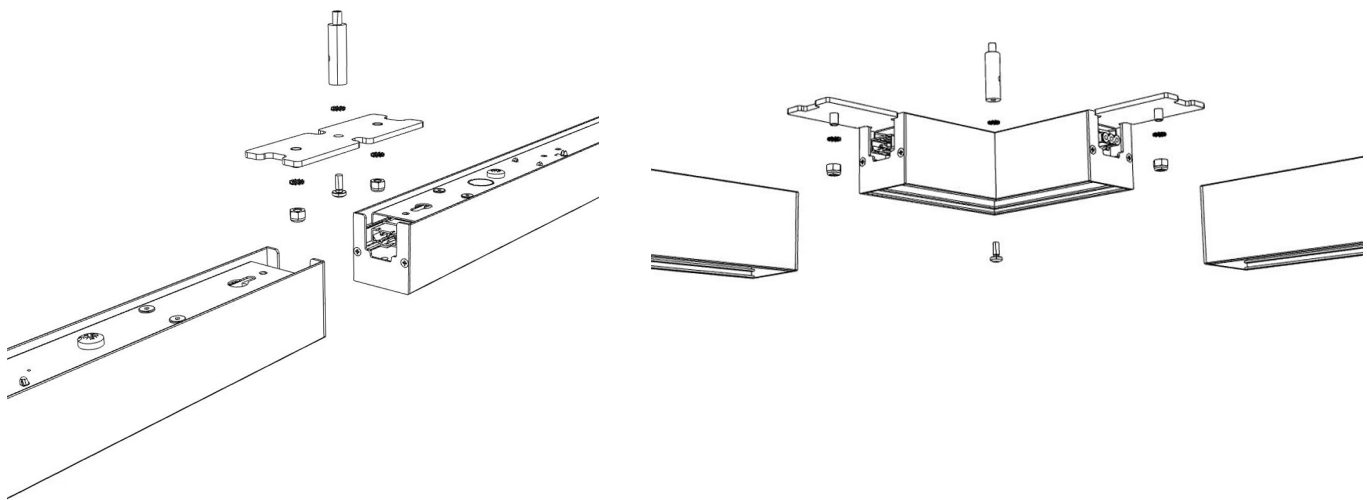
2200	2700	3000	4000	5700	6500	MIX	RGB	
✗	○	○	●	○	✗	✗	✗	✗
●	○	○	✗	✗	✗	✗	✗	✗

● default ○ optional ✗ not possible



Codes: SBL4000LKN3/B/R

SBL	4000	L	KN	3	/B	/R
Luminaire type						
Light output						
body length: S = 600 mm M = 1200 mm L = 1500 mm						
Cover: KN - microprismatic KO - opal PS cover						
Color temperature 3 = 3000K, 4 = 4000K,						
Modification X = without switcher B – white C – black						
Assembly to row						



SBL	W	lm		A	B	C	X	kg
		KO	KN					
SBL1500S	15	1 300	1 500	605	42	45	490	0,9
SBL3000M	29	2 700	3 000	1 185			545	1,2
SBL4000L	35	3 300	3 700	1 485			693	1,5

lm - luminaire light output

Due to MODUS program of products development a data can be changed without notice. Luminous flux and connected electrical load are subject to an initial tolerance of up to + / - 10%. Color temperature is subject to a tolerance of up to +/-150 K from the nominal value. The failure of 1 LED points causes no functional impairment to the lighting performance of the luminaire and is therefore no reason for complaint.