

Luxury Curved Rod

Thank you for purchasing this Croydex product. Please follow the fixing and care instructions to ensure your luxury curved rod is fitted safely and retains its high quality finish. Please retain this leaflet for future reference.

Fixing Pack Contents

- A) Wall Fixing Screws x 6
- B) Wall Plugs x 6
- C) Small Hex Head Key
- D) Large Hex Head Key

Tools required - not supplied

Pencil; Tape Measure; Philips Screwdriver; Spirit Level; Small Hacksaw; Drill; 6mm Masonry Drill Bit, 6mm Ceramic Drill Bit (optional).

KEEP DIY TOOLS OUT OF THE REACH OF CHILDREN

Note: The fixings supplied are for use in solid walls only. For cavity walls or plasterboard use specialist fixings that are available from all good DIY shops.

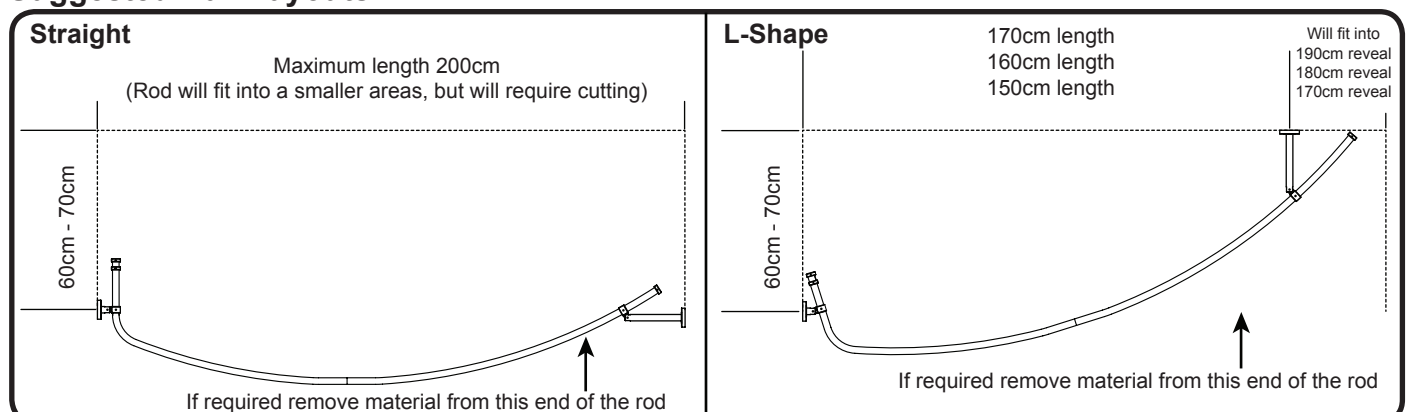
Home Safety Advice

- It is recommended that two people fit this product to ensure that it is fitted safely.
- Always take care when using power tools, particularly in the bathroom.
- Always check for hidden cables and pipework before drilling and take extreme care if there is any water in the working area.
- It is advisable to use a residual current circuit breaker (RCCB).
- Always wear suitable eye protection when drilling.
- If the product is to be fitted on a ceramic tiled wall, a ceramic drill bit should be used.
- Always ensure that the drill hole passes through the central tiled area rather than through the grouted area. To prevent damage to the tile, mask the area around the hole with tape before drilling.
- Do not strike the product with hard or sharp objects.
- Do not use as a grab bar.

Product Care

To retain the best quality finish, clean product regularly with a soft damp cloth. Do not use abrasive or chemical cleaners as these will damage the product.

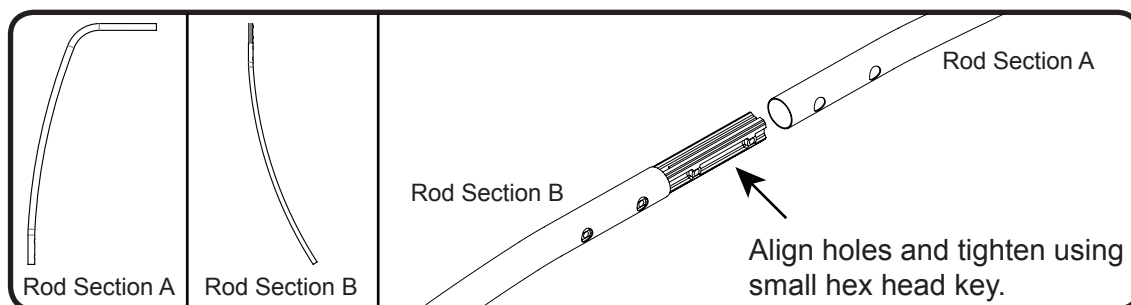
Suggested Rail Layouts



Pre-assembly of Luxury Curved Rod.

Fitting Installation

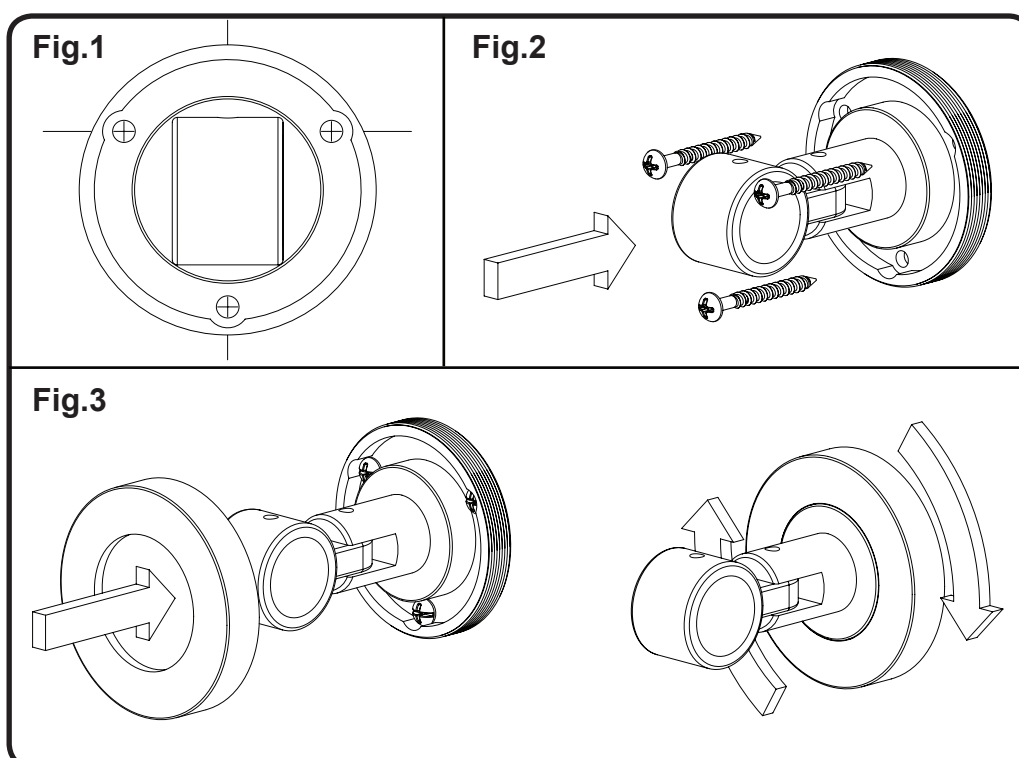
1. Assemble the luxury curved rod components by laying the two rod sections A&B together on a flat surface. Align the holes situated on the side of the rods with the grub screws located in the expansion joint and tighten using the large hex head key provided to form a secure fixing between the rod sections.
2. Using the suggested layouts as a guide, place the assembled rod in the desired location allowing for adequate curtain overlap into the bath or shower tray.
3. Remove the wall brackets and bracket covers from the rod.



IMPORTANT NOTE: The maximum length of the assembled rod is 200cm. The rod will fit into smaller areas and therefore can be cut to size using a hacksaw. If the rod needs to be cut to size please ensure that material is removed from the end of rod section B (DO NOT cut rod section at the end where the expansion joint holes are situated).

Wall Bracket Installation

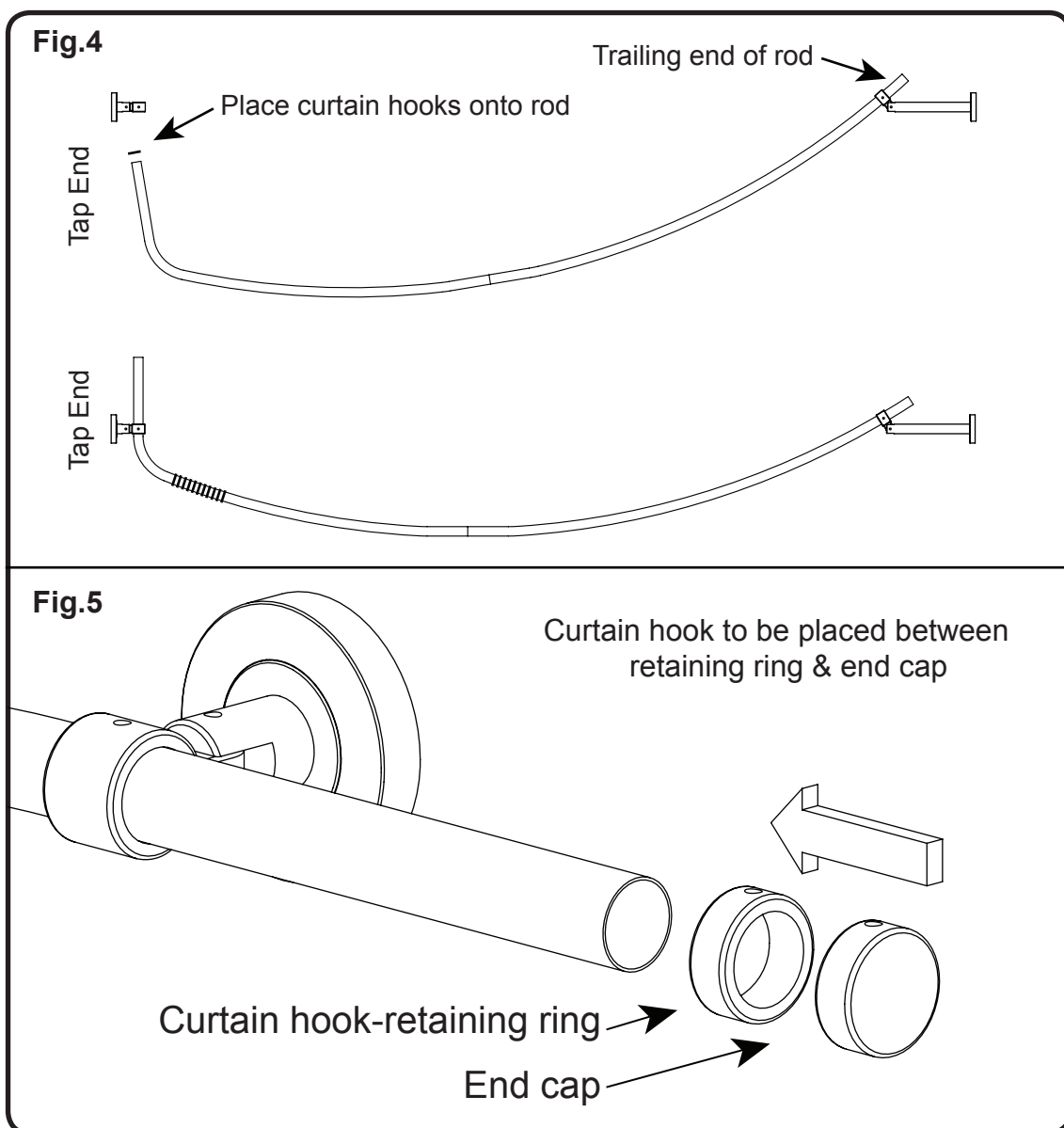
4. Mark the positions of the wall brackets hole centres on the wall surface using the holes in the wall brackets as a guide, ensuring that it is horizontal and level - see Fig.1.
5. Drill the holes in the marked positions using a 6mm masonry drill and insert the wall plugs flush to the surface of the wall. When fitting the product to a ceramic tiled wall a ceramic drill bit should be used and the wall plugs should be inserted below the surface of the tile.
6. Fix the wall brackets into position using the screws provided, ensuring each bracket is positioned with the grub screws facing the ceiling - see Fig.2.
7. Carefully place the decorative wall bracket covers over the wall brackets and rotate clockwise to secure into position - see Fig.3. DO NOT OVERTIGHTEN.



Curved Rod Installation

IMPORTANT NOTE: Before inserting the assembled curved rod into position, ensure all securing grub screws are unwound to prevent any potential damage to the curved rod.

8. Loosely assemble the trailing end of the curved rod (opposite to the tap end of the bath), by sliding it into the connection bracket attached to the wall plate - see Fig.4.
9. Slide eleven curtain rings (Not supplied) onto the open end of the shower curtain rod before inserting it into the connection bracket. Secure into position by tightening the grub screws in both wall plate connection brackets using the small hex head key supplied. NOTE: One curtain hook will be attached after the rod is secured in position - see Fig.5.
10. Place the curtain hook retaining ring, the remaining curtain hook and end cap onto the shower end of the curtain rod - See Fig.5. The position of the curtain hook retaining ring can be adjusted as required, however, sealing performance is improved if the curtain hook retaining ring is positioned at the end of the rod. Tighten the curtain hook retaining rings and end caps with the small hex head key supplied. **DO NOT OVERTIGHTEN.**



For details of the other items in the Croydex range please visit our website: www.croydex.com

Croydex Ltd, Central Way, Andover, Hants, SP10 5AW, UK
Tel: +44 (0) 1264 365881
Fax: +44 (0) 1264 356437
Email: info@croydex.co.uk