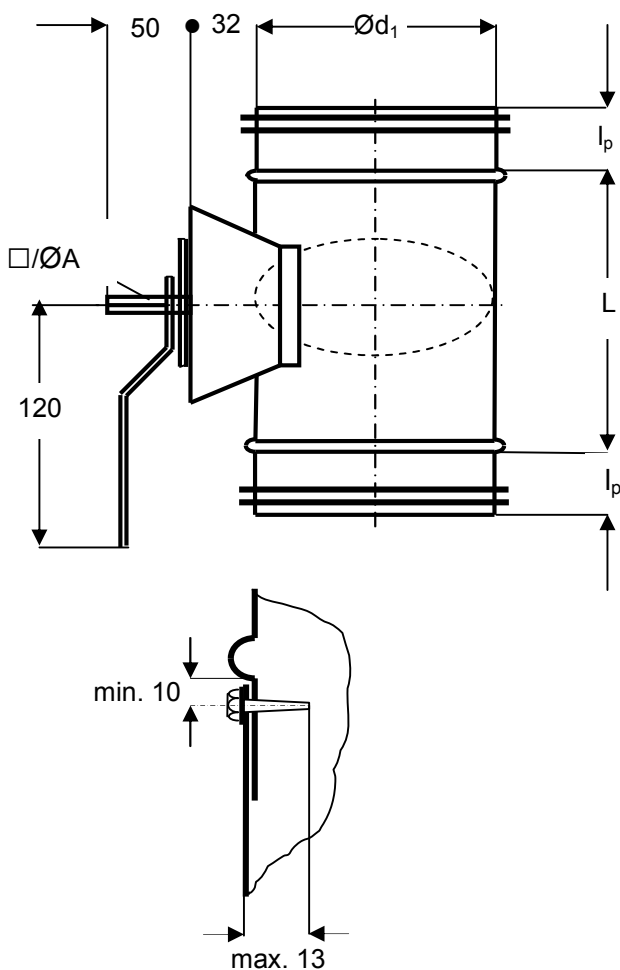


## Description

**DSL:** Galvanised steel damper with rubber gasket.  
 Sizes DN 80 to DN 1250.  
 The damper blade is in a plastic bearing up to DN 630. Damper axle is of 8 mm square steel with mounting console and adjusting lever. The lever can be secured with a butterfly screw. Up to DN 630 a motor console for a Belimo Type LM actuator is provided. The motor can be installed when the lever has been disassembled and the console has been fastened.  
 From DN710 the damper blade is in a galvanized steel bearing. Damper axle is of 12 mm round steel with mounting console and adjusting lever. The lever can be secured with a butterfly screw.

**DRL:** As DSL, but with reduced damperblade size.

**DTL:** Galvanised steel shut-off damper with seal, tight-closing.  
 Sizes DN 100 to DN 630.  
 Damper blade with special EPDM rubber gasket which abuts inside of damper housing in closed position. Damper axle in bearing; with mounting plate and adjusting lever. The lever can be secured with a butterfly screw. Up to DN 315 a motor console for a Belimo Type LM actuator is provided. The motor can be installed when the lever has been disassembled and the console has been fastened.



Ød1 (mm)	L (mm)	A (mm)	M <sup>1)</sup> (Nm)	Weight (kg)
80	100	8 x 8	2	0.4
100	100	8 x 8	2	0.4
125	100	8 x 8	2	0.5
140	100	8 x 8	2	0.6
160	100	8 x 8	2	0.6
200	100	8 x 8	2	0.8
224	100	8 x 8	4	0.9
250	100	8 x 8	4	1.0
280	120	8 x 8	4	1.3
300	120	8 x 8	4	1.4
315	120	8 x 8	4	1.5
355	120	8 x 8	8	1.7
400	150	8 x 8	8	2.2
450	150	8 x 8	10	2.5
500	150	8 x 8	10	2.9
560	180	8 x 8	15	3.7
600	180	8 x 8	15	4.1
630	180	8 x 8	15	4.3
710	180	Ø 12	--	5.4
800	200	Ø 12	--	6.7
900	200	Ø 12	--	8.0
1000	240	Ø 12	--	10.0
1120	240	Ø 12	--	11.8
1250	240	Ø 12	--	13.9

1) Recommended minimum torque for actuators for DTL version.

Maximum screw length for fastening duct 13 mm