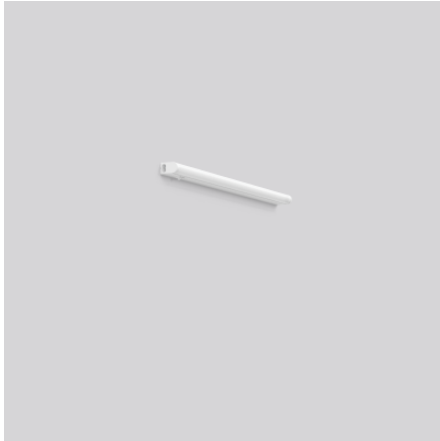


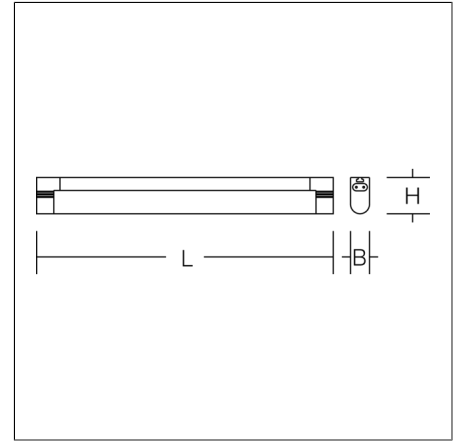
STRIP-LIGHT

451157.002.2 | Linear luminaires



Ceiling and wall luminaires
4051859709596
L 505, B 28, H 38

ceiling mounting, wall (surface)
white



Very compact linear luminaire with rocker switch. Universally suitable for store lighting, vault lighting, kitchen and bathroom lighting. Base: plastic. Diffuser: plastic (polycarbonate), opal. Homogeneous and smooth light distribution. Suitable for ceiling mounting, wall (surface). Easy to mount with clips. Connecting cables for through-wiring without tools. Max. 12 luminaires can be mounted as a light channel. Included in delivery: 1.80 m power supply cable, 150 mm connecting cable, straight rigid coupling and 2 brackets each for wall and ceiling mounting. Suitable for mounting on or into furniture.

Product specifications

Length L	505 mm
Width B	28 mm
Height H	38 mm
Weight	284 g
Light source	LED
Colour temperature	3000 K 4000 K
Rated luminous flux	3000 K: 690 lm
	4000 K: 720 lm
System power	3000 K: 7 W
	4000 K: 7 W
System efficiency	3000 K: 99 lm/W 4000 K: 103 lm/W
Glare evaluation UGR (4H 8H)	25,9 26
Beam angle	down 170°/111° 170°/110° up 180°/180°
Rated life	25000 h (L70/B50)
Colour rendering index (CRI)	80
Colour tolerance	5
Photobiological safety according to EN 62471	Risk group 0
Driver	Converter
Control	on/off
Voltage	220 - 240 V / 50 Hz
Luminaires on B10A fuse	182
Luminaires on B16A fuse	290
Luminaires on C10A fuse	182
Luminaires on C16A fuse	290
Inrush current / Inrush current duration	0.55 A / 25 µs
CIE Flux Code / CEN Flux Code	37 66 86 83 100
Type of protection	IP 20
Protection class	II
Filament test	750°C - 30 seconds
Impact resistance	IK02
Ambient temperature	25 °C
Safety marks	
Test marks	
Conformity mark	CE, EAC

STRIP-LIGHT

451157.002.2 | Linear luminaires

Accessories



981457.002
Power supply cable (Europlug with socket)



981464.002
Connecting cable, Length 300mm



981466.002
Connecting cable, Length 600mm



981467.002
Connecting cable, Length 900mm