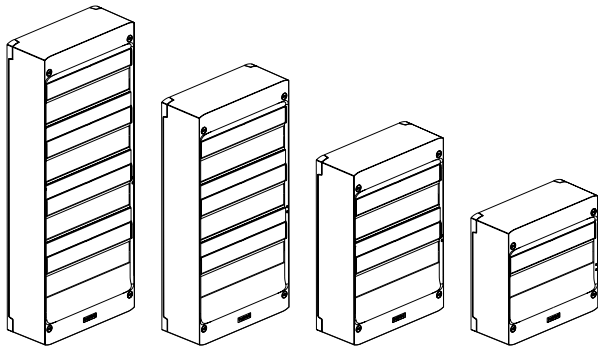


DRIVIA Cabinets

Cat.No.(s) : 4 012 11/12/13/14/16/17/18/19/21/22/23/24
 4 013 11/12/13/14/21/22/23/24/61/62/63/64
 0 930 20/21/22/23



CONTENTS

Page

1. Description, use	1
2. Range, Cat.No. equivalence table.....	1
3. Dimensions.....	1
4. General characteristics	2
5. Compliance and approvals.....	3
6. Equipment supplied	3
7. Installation accessories.....	3

1. DESCRIPTION, USE

Cabinets with rows of 13 or 18 modules compliant with regulations governing public buildings and high-rise buildings in accordance with standard EN 60 695-2-1 (edition september 2014).
 Conform to IEC 60 670-24 (edition march 2011) et IEC 62 208 (edition august 2011).
 For the production of assemblies certified according to IEC 61 439-3 (edition february 2012).
 Can be mounted on housing service ducts or wall-mounted.
 Adjustable and removable rails.
 Space under rails : 40 mm
 Distance between rails : 125 mm

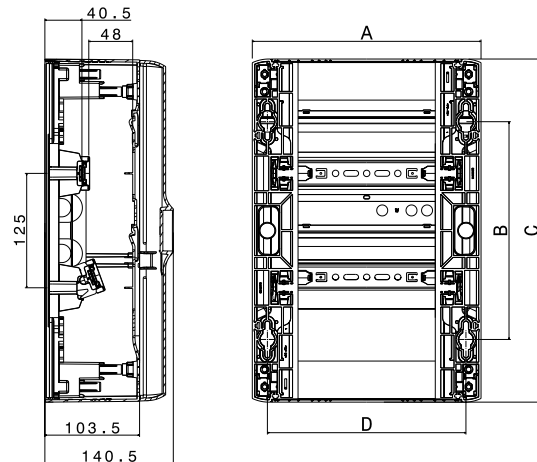
4 013 63	3	39	0 013 63
4 013 64	4	52	0 013 64
0 930 20	1	13	0 927 17
0 930 21	2	26	0 927 18
0 930 22	3	39	0 927 19
0 930 23	4	52	0 927 30

2. RANGE, CAT.NO. EQUIVALENCE TABLE

DRIVIA Cat.No.	Number of rows	Number of modules	Ekinoxe Cat.No.
4 012 11	1	13	0 012 11
4 012 12	2	26	0 012 12
4 012 13	3	39	0 012 13
4 012 14	4	52	0 012 14
4 012 16	1	13	0 012 16
4 012 17	2	26	0 012 17
4 012 18	3	39	0 012 18
4 012 19	4	52	0 012 19
4 012 21	1	18	-
4 012 22	2	36	-
4 012 23	3	54	-
4 012 24	4	72	-
4 013 11	1	13	0 013 11
4 013 12	2	26	0 013 12
4 013 13	3	39	0 013 13
4 013 14	4	52	0 013 14
4 013 21	1	13	0 013 21
4 013 22	2	26	0 013 22
4 013 23	3	39	0 013 23
4 013 24	4	52	0 013 24
4 013 61	1	13	0 013 61
4 013 62	2	26	0 013 62

3. DIMENSIONS

Cabinets 13 and 18 Modules



Cat.No.(s)	Number of modules	Dimensions (mm)			
		A	B	C	D
4 012 11/16 - 0 930 20 4 013 11/21/61	13	250	113	250	217
4 012 12/17 - 0 930 21 4 013 12/22/62		250	238	375	217
4 012 13/18 - 0 930 22 4 013 13/23/63		250	363	500	217
4 012 14/19 - 0 930 23 4 013 14/24/64		250	488	625	217
4 012 21	18	355	113	250	322
4 012 22		355	238	375	322
4 012 23		355	363	500	322
4 012 24		355	488	625	322

4. GENERAL CHARACTERISTICS

■ 4.1 Technical characteristics

- Cover colour : white RAL 9003
- Door colour : white RAL 9003 or transparent
- Protection index :
 - IP30 - IK05 without door
 - IP40 - IK07 with door
- Self-extinguishing : 750°C (public buildings)
- Insulated backplate for Cat.Nos :
 - 4 012 16/17/18/19 - 4 013 21/22/23/24
- Double insulation possible with insulated backplate (other Cat.Nos)
- Rated operating voltage : 400 V AC - 50/60 Hz
- Rated insulation voltage : 400 V AC - 50/60 Hz
- Rated impulse withstand voltage : Uimp = 6 KV
- Short-circuit current : Icc = 10 kA
- Storage and installation temperature : -20°C à +70°C
- Operating temperature : -10°C à +40°C
- Cover plastic screws service torque : 2Nm
- permissible loads : 40N per row
- Power dissipation and permissible current :

Number of rows	Number of modules per row	Power dissipation (W)	Max permissible current (A)
1	13	27	63
2		35	90
3		52	90
4		57	90
1	18	28	63
2		45	90
3		67	90
4		91	90

■ 4.2 Materials

- Frame and cover : high impact polystyrene
- Door : polycarbonate
- Handle : ABS + chrome
- Labelling strip : polystyrene
- Rail support : polystyrene
- Cover screw : glass fiber filled polycarbonate
- Rail : galvanised steel
- Door release : polyamide
- Hinge : polypropylene
- Joining kit : glass fiber filled polycarbonate
- Document holder : polystyrene

■ 4.3 Terminal block capacity

Cat.Nos	Earth terminal block		IP2X screw terminal block	
	Screw terminal block	Automatic terminal block	Phase	Neutral
	6 - 25 mm ²	1.5 - 4 mm ²	1.5 - 16 mm ²	1.5 - 16 mm ²
4 012 11 0 930 20	5	9	-	-
4 012 12 0 930 21	5	18	4	4
4 012 13 0 930 22	5	27	4	4
4 012 14 0 930 23	5	27	4	4
4 012 21	5	27	-	-
4 012 22	5	27	4	4
4 012 23	5	36	4	4
4 012 24	5	45	4	4
4 012 16	5	9	-	-
4 012 17	5	18	-	-
4 012 18	5	27	-	-
4 012 19	5	27	-	-

Cat.Nos	IP2X screw terminal block			
	Earth		Neutral	
	6 - 25 mm ²	1.5 - 16 mm ²	6 - 25 mm ²	1.5 - 16 mm ²
4 013 11	1	12	-	-
4 013 12	1	21	-	-
4 013 13 4 013 14	1	26	-	-
4 013 21	1	12	1	12
4 013 22	1	16	1	16
4 013 23	1	21	1	21
4 013 24	1	26	1	26
4 013 61	1	12	1	12
4 013 62	1	21	1	21
4 013 63 4 013 64	1	26	1	26

Additional terminal blocks : see section 7.3 page 4

■ 4.4 Number of blanking plates

Cat.Nos	5 modules
4 012 11/16/21 4 013 11/21/61 0 930 20	1
4 012 12/17/22 4 013 12/22/62 0 930 21	2
4 012 13/18 4 013 13/23/63 0 930 22	3
4 012 14/19/23 4 013 14/24/64 0 930 23	4
4 012 24	5

5. COMPLIANCE AND APPROVALS

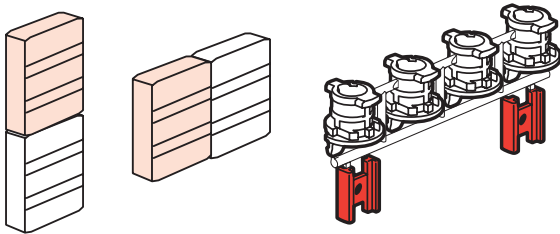
IEC 60 670-24 edition march 2011
 IEC 62 208 edition august 2011
 NF C 61-910 edition april 1984
 IEC 60 695-2-11 edition september 2014
 RoHS
 WEEE
 REACH
 PEP sheet

6. EQUIPMENT SUPPLIED

Cat.Nos :
 4 012 11/12/13/14/16/17/18/19/21/22/23/24
 0 930 20/21/22/23

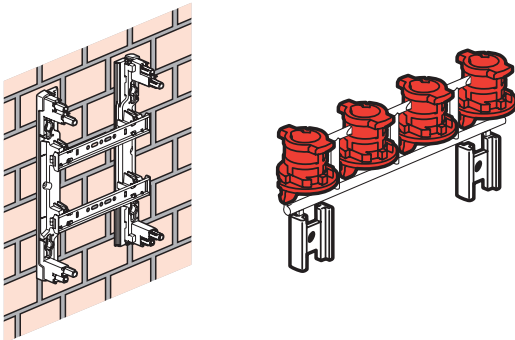
6.1 Joining

1 joining kit supplied per cabinet.
 Vertical et horizontal joining.

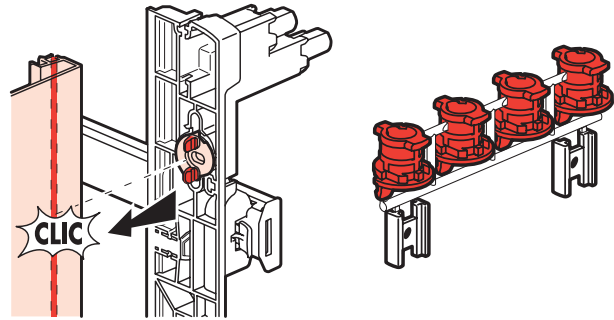
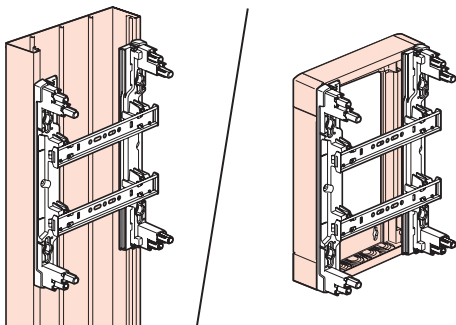


6.2 Fixing

- Fixing on any type of wall (adjustment of drilling error)

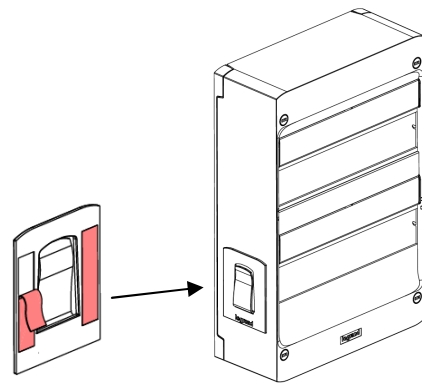


- Fixing on housing service duct and height spacer



6.3 Adhesive document holder

Cat.Nos :
 4 012 11/12/13/14/16/17/18/19/21/22/23/24
 0 930 20/21/22/23



7. INSTALLATION ACCESSORIES

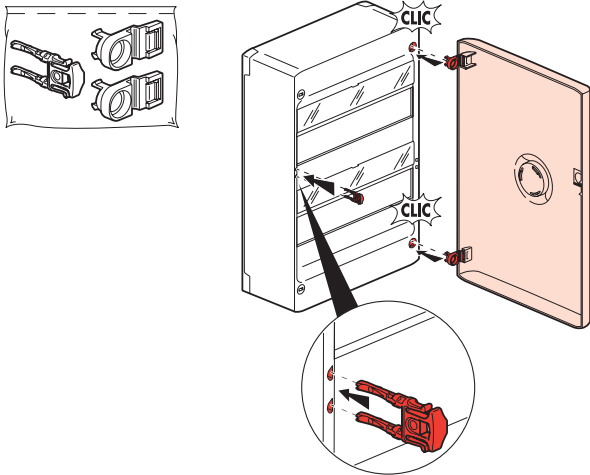
Cat.Nos :
 4 012 11/12/13/14/16/17/18/19/21/22/23/24
 0 930 20/21/22/23

7.1 White or transparent doors

Sizes of cabinet	White doors	Transparent doors
1R 13M	4 013 31	4 013 41
2R 13M	4 013 32	4 013 42
3R 13M	4 013 33	4 013 43
4R 13M	4 013 34	4 013 44
1R 18M	4 012 31	4 012 41
2R 18M	4 012 32	4 012 42
3R 18M	4 012 33	4 012 43
4R 18M	4 012 34	4 012 44
1R 13M DIY*	0 930 30	-
2R 13M DIY*	0 930 31	-
3R 13M DIY*	0 930 32	-
4R 13M DIY*	0 930 33	-

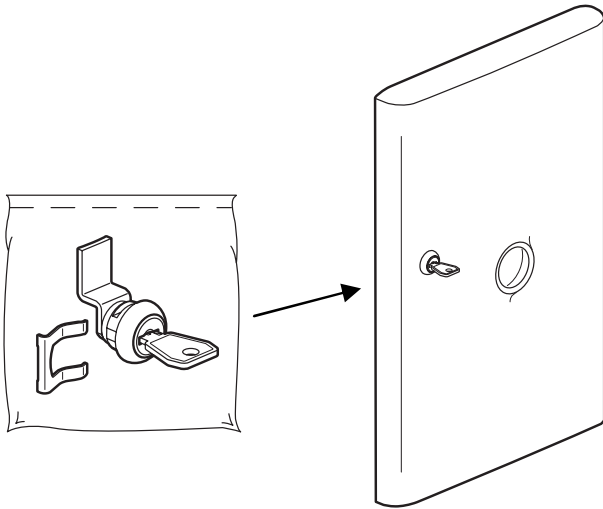
* DIY : Do-It-Yourself distribution

Thickness of door : 37 mm



■ 7.2 Key lock

Cat.No. 4 013 91



■ 7.3 Additional terminal blocks

Cat.No. 4 050 55

IP2X automatic connection earth terminal block for 13 modules cabinet.
 Capacity : 5x 6 à 25 mm² + 27x 1.5 à 4 mm²

Cat.No. 4 050 57

IP2X automatic connection earth terminal block for 18 modules cabinet.
 Capacity : 5x 6 à 25 mm² + 45x 1.5 à 4 mm²

Cat.No. 4 048 39

Bornier de terre à vis IP2X pour coffret 13 modules.
 Capacity : 1x 6 à 25 mm² + 26x 1.5 à 16 mm²

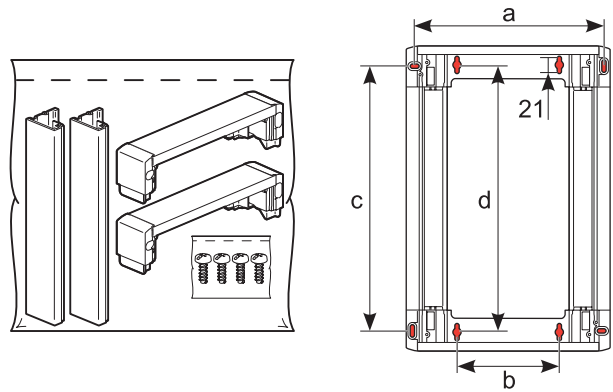
Cat.No. 4 048 14

IP2X 3-pole + neutral insulated terminal block for 13 modules cabinet.
 1 neutral 1x 4 à 25 mm² + 12x 1.5 à 16 mm² ; 3 phases 4x 1.5 à 16 mm²

Cat.No. 4 048 18

Empty support 28 holes for additional terminal blocks for 13 modules cabinets. Used for unprotected screw terminal blocks and for IP2 terminal blocks.

■ 7.4 Height spacers (depth 50 mm)



Height spacers for 13 modules cabinets

Cat.Nos	4 013 71	4 013 72	4 013 73	4 013 74
a	236	236	236	236
b	126	126	126	126
c	201	326	451	576
d	204	329	454	579

Height spacers for 18 modules cabinets

Cat.Nos	4 012 71	4 012 72	4 012 73	4 012 74
a	341	341	341	341
b	231	231	231	231
c	201	326	451	576
d	204	329	454	579

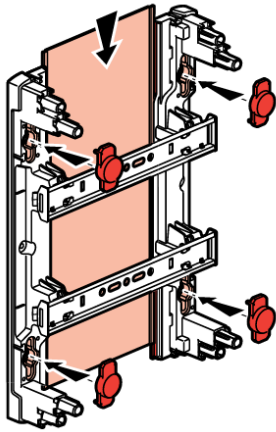
Height spacers for 13 modules cabinets + mounting plate

Cat.Nos	4 013 81	4 013 82	4 013 83	4 013 84
a	233	233	233	233
b	126	126	126	126
c	426	551	676	801
d	429	554	679	804

■ **7.5 Backplates**

Backplate supplied with caps to ensure double insulation.

	Cabinets Cat.Nos	Backplates Cat.Nos associated
13 M	4 012 11/16 4 013 11/61 - 0 930 20	4 013 51
	4 012 12/17 4 013 12/62 - 0 930 21	4 013 52
	4 012 13/18 4 013 13/63 - 0 930 22	4 013 53
	4 012 14/19 4 013 14/64 - 0 930 23	4 013 54
18 M	4 012 21	4 012 51
	4 012 22	4 012 52
	4 012 23	4 012 53
	4 012 24	4 012 54



■ **7.6 Mounting plates for subscriber headline MCCB**

Conform to NF C 61-910

Cat.No. 4 011 81

Mounting plate for circuit-breaker and single-phase electronic meter for 13 and 18 modules DRIVIA cabinets. Compliant with ENEDIS-CPT-M&S Spe-10015A specifications.

Cat.No. 4 011 82

Mounting plate for circuit-breaker and single-phase electronic meter or Linky for 13 and 18 modules DRIVIA cabinets. Compliant with ENEDIS-CPT-M&S Spe-13006A specifications.

Cat.No. 4 011 84

Mounting plate for circuit-breaker and 3-phase electronic meter for 13 and 18 modules DRIVIA cabinets. Compliant with ENEDIS-CPT-M&S Spe-13006A specifications.

Cat.No. 4 011 91

Mounting plate for circuit-breaker only for 13 et 18 modules DRIVIA cabinets.

■ **7.7 White RAL 9003 blanking plates**

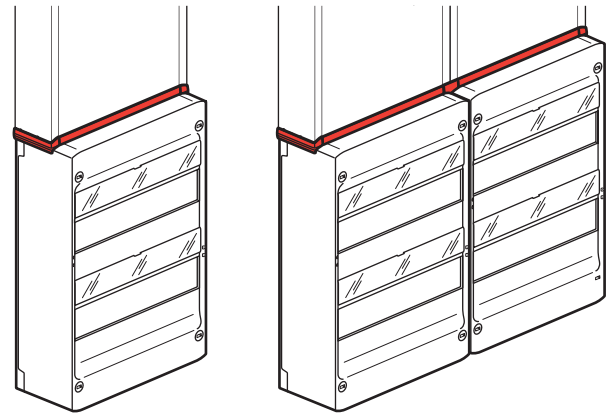
Can be separated for each module or half-module

Cat.Nos	Number of modules
0 016 60	5 modules
0 016 62	13 modules
0 016 64	18 modules

■ **7.8 Finishing kit for cabinets mounted on housing service duct**

Cat.No. 4 013 94

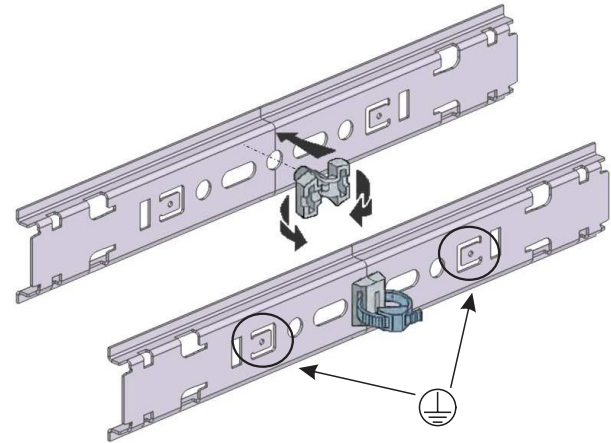
For 13 and 18 modules cabinets and service duct



■ **7.9 Locking clip**

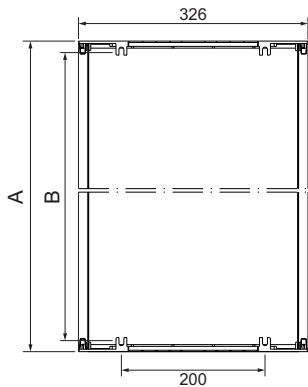
Cat.No. 0 319 78

Locking clip for fixing cable ties to a rail.



Functional earth connection

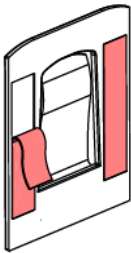
■ **7.10 Covers for consumer unit (depth 126 mm)**



Cat.Nos	A	B
4 013 85	526	502
4 013 86	651	627
4 013 87	776	752

■ **7.11 Adhesive document holder**

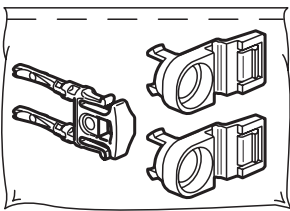
Cat.No. 4 013 89



■ **7.12 Spare parts**

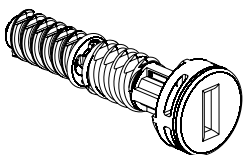
Cat.No. 9 803 74

Hinge and door release for assembly of door on 13 and 18 modules DRIVIA cabinets



Cat.No. 9 803 75

Pack of 20 cover screws for 13 and 18 modules DRIVIA cabinets



Cat.No. 9 803 76

Fixing kit for cabinet on housing service ducts or wall-mounted

