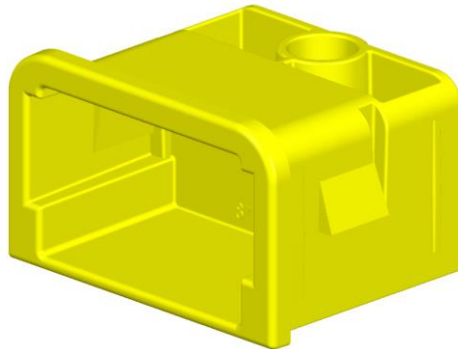


Plastic Protection U56

Reference(s) : 348575



1 RANGE

Ref	Code	Matière Raw material	Finition Coating	Norme standard	Epaisseur Thickness (mm/Inch)	Masse Weight (KG / lb)
Plastic Protection U56	348 575	PA6-GF30	/	/	3 / 0,12	0,041 / 0,09

Dimensions in (mm/Inch) :

