

CONSOLE CSNC 100 à 450
CSNC BRACKET 100 to 450

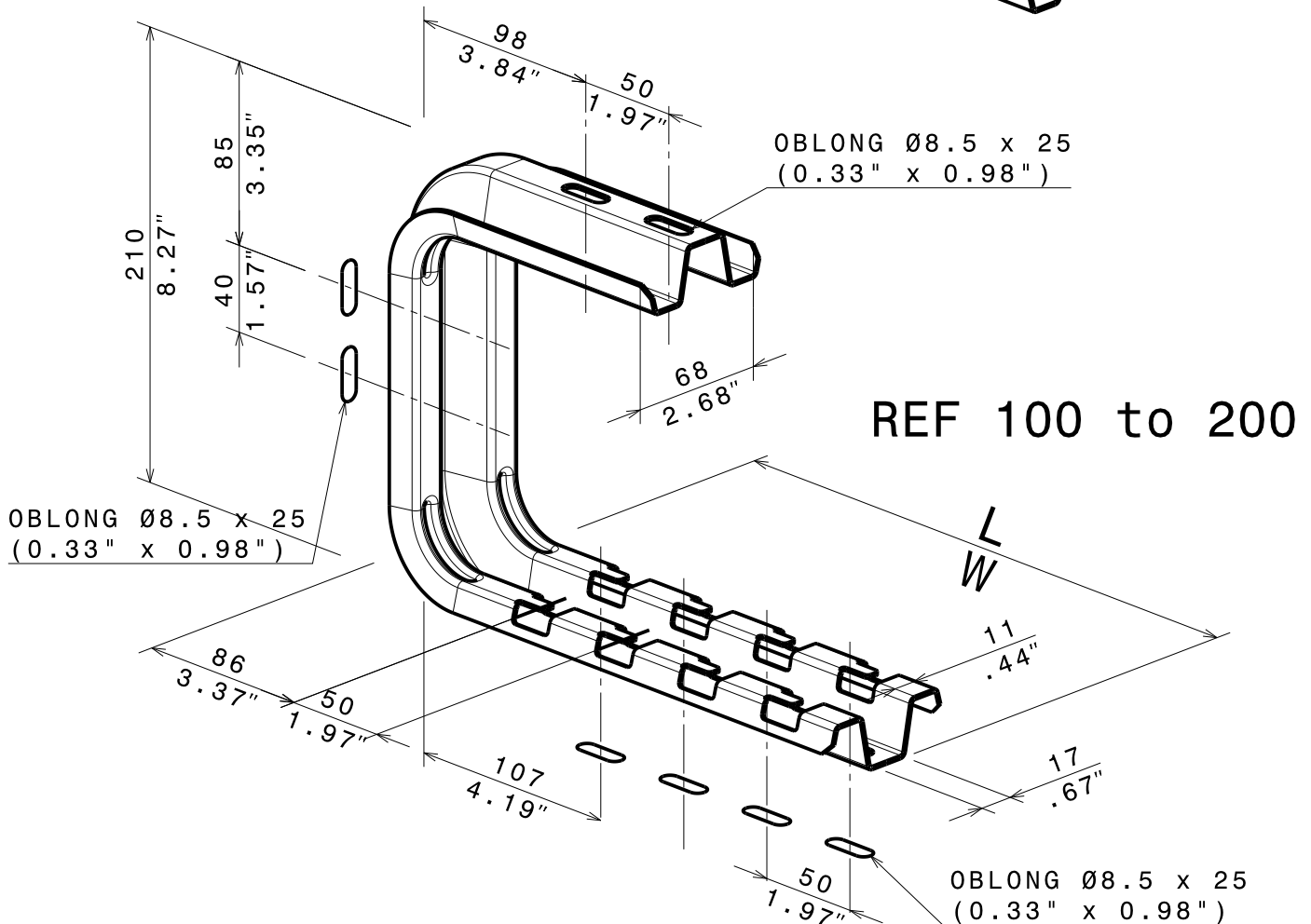
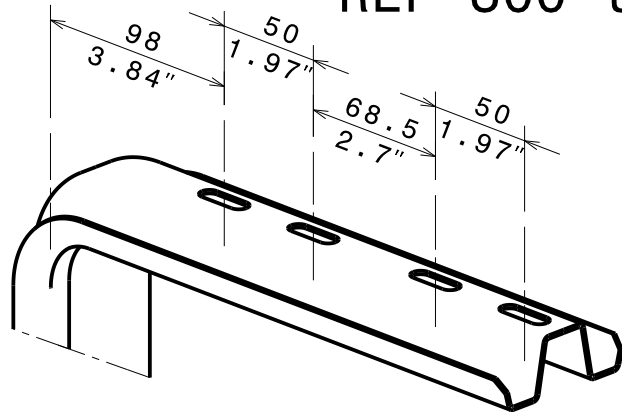
INOX 316L

CABLOFIL®
INNOVATORS IN CABLE MANAGEMENT

FT0100-5 01/15

REF 300 to 450

REF	Oblong Nbr	WIRE MESH TRAY L / W
CSNC-100	2	100
CSNC-150	3	150
CSNC-200	4	200
CSNC-300	6	300
CSNC-400	8	400
CSNC-450	9	450



REF 100 to 200

REF	CODE	POIDS (Kg)	WEIGHT (lb)	L (mm)	W (inch)	Epais. / Th.
CSNC-100	556 304	0.640	1.410	178.5	7.03	1.5 0.06
CSNC-150	556 314	0.700	1.540	228.5	9.00	1.5 0.06
CSNC-200	556 324	0.760	1.680	278.5	10.96	1.5 0.06
CSNC-300	556 334	0.967	2.130	378.5	14.90	1.5 0.06
CSNC-400	556 344	1.082	2.390	478.5	18.84	1.5 0.07
CSNC-450	556 354	1.195	2.640	528.5	20.81	1.5 0.06

MATIERE / MATERIAL X2 Cr Ni Mo 17-12-2	EN 10088-2
PROTECTION / COATING INOX 316 L	

Propriété exclusive de CABLOFIL, ne peut être ni copié, ni transmis à des tiers sans autorisation écrite.

Exclusive property of CABLOFIL shouldn't be reproduced or transmitted to any people without written authorization