

Prevex® EasyClean Bath™

EasyClean Bath – for convenient cleaning.



WASTE VALVE
FOR BATHROOMS



PREVEX
ALL ABOUT WATER TRAPS

Prevex® EasyClean Bath™

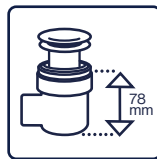
Effortless to clean and install.

EasyClean Bath is a waste kit designed for bathtubs. This smart innovation keeps your bathroom floor drain nice and clean, as all residue build-up is gathered in the basket in the waste kit. This makes EasyClean Bath extremely quick and easy to clean. The assembly tool that comes with the waste kit is made of wood fiber material.



Easy to clean

Never before has cleaning the bathtub waste valve been this easy – EasyClean Bath does not have to be removed from under the bathtub.



Low height

EasyClean Bath is only 78 mm in height, making it one of the smallest waste valves on the market. It fits in all bathtubs.



Durable material

The basket is made of durable silicone.



Pre-assembled

Like all Prevex products, this waste kit is pre-assembled. It is easy and quick to install.

Cleaning the waste kit is quick and easy!

This is how easy it is to use EasyClean Bath.



1 Lift the plug and basket from the waste outlet.



2 Turn the basket inside out, remove the dirt and rinse the basket under running water.



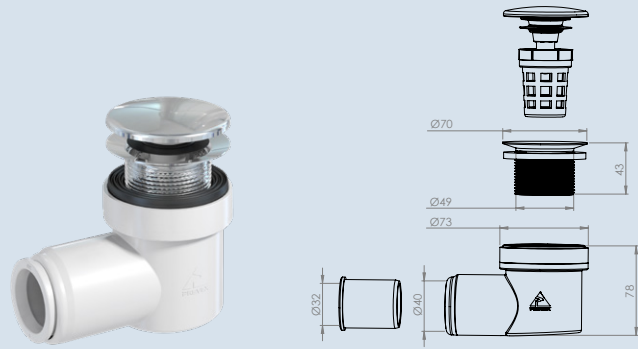
3 Put the plug and basket back in place.



Technical specifications

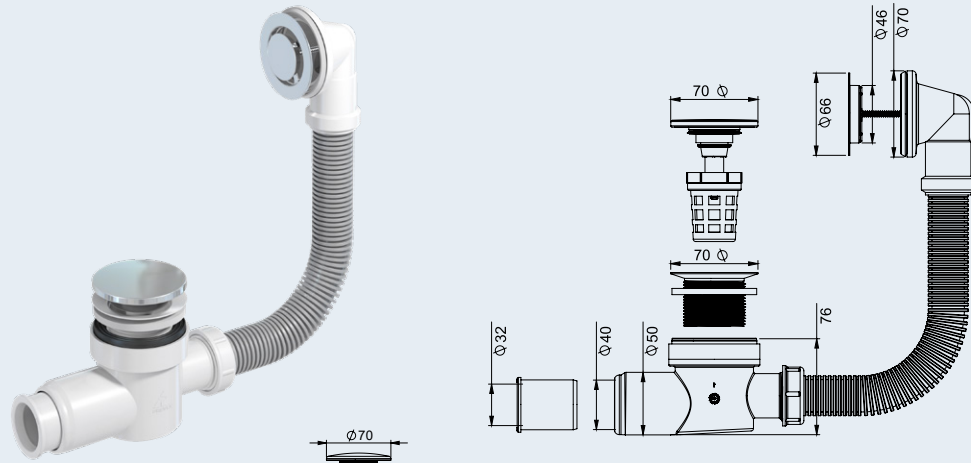
EasyClean Bath

The pop-up plug is available in chrome plated brass and ABS plastic.



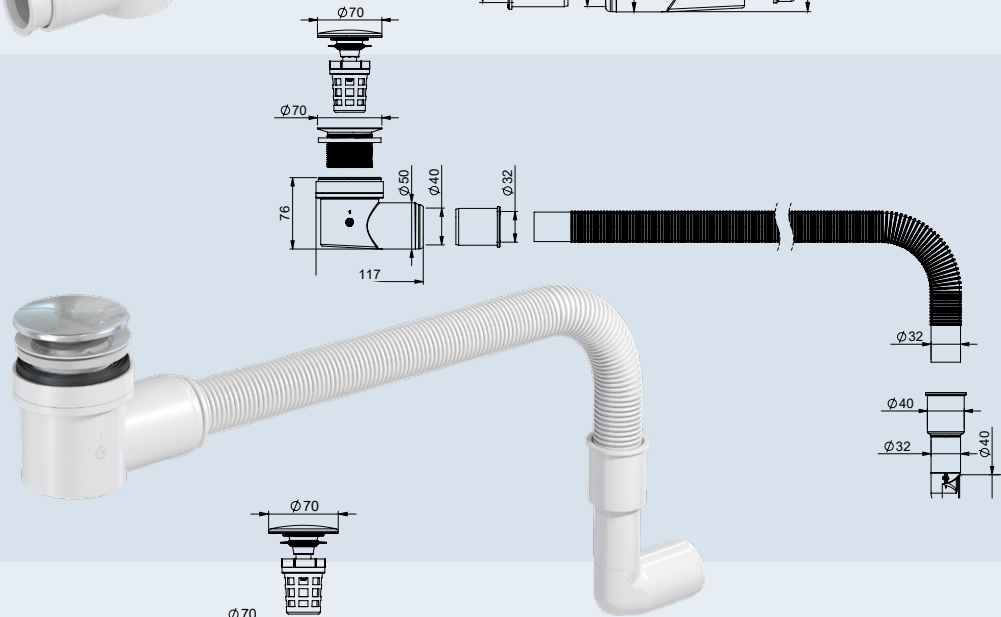
EasyClean Bath with overflow

Includes a 700 mm long, flexible overflow pipe. The pop-up plug is made of chrome plated brass.



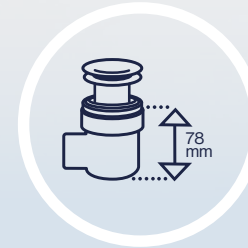
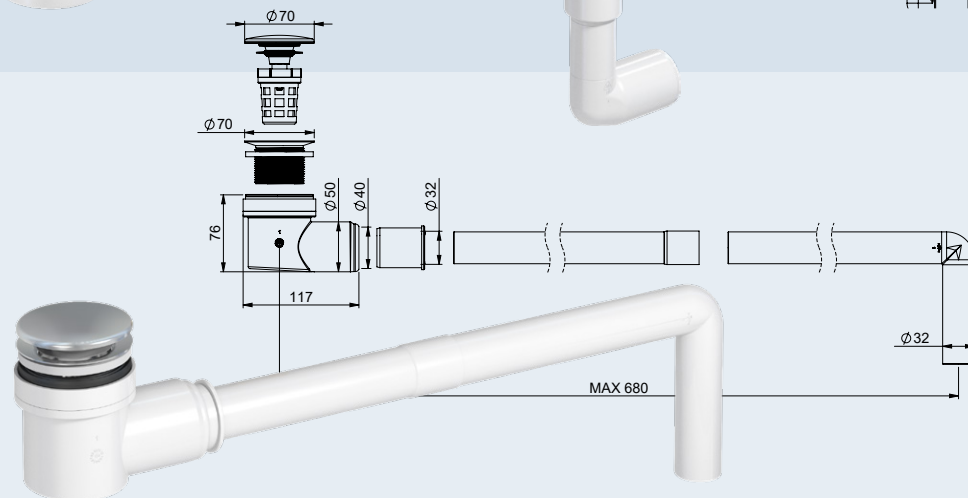
EasyClean Bath with a flexible outlet pipe

Includes a 32/892 mm outlet pipe and a drain adapter. The adapter is suitable for 32 or 40 mm drain outlet.

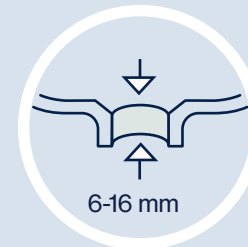


EasyClean Bath with a rigid outlet pipe

Includes a rigid, 32 mm outlet L pipe.



Exceptional height, only 78 mm!



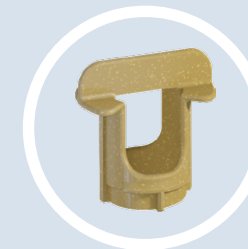
Fits in bathtubs' standard 52 mm plugholes. Suitable for 6-16 mm thick bathtubs.



Flow: Meets the standard flow requirements (1 liter / sec).

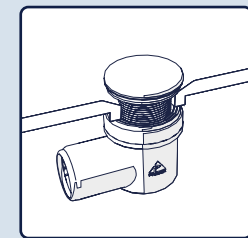
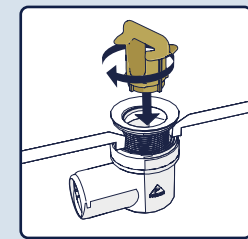
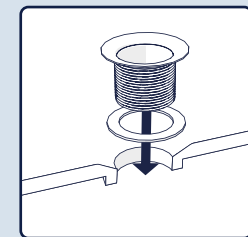
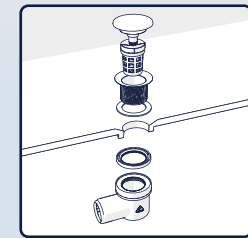


EasyClean Bath is suitable for 50 mm outlet pipes outside the connector. The inside diameter is 40 mm. Thanks to the adapter, EasyClean Bath can also be used with a 32 mm pipe.



An assembly tool is included in all models! The tool that comes with EasyClean Bath is made of wood fiber material.

Assembly instructions



Prevex®
EasyClean Bath™



sales@prevex.com
www.prevex.com

Oy PreveX Ab,
FI-66900 Nykarleby, Finland
Tel. +358 (0)6 781 8000

