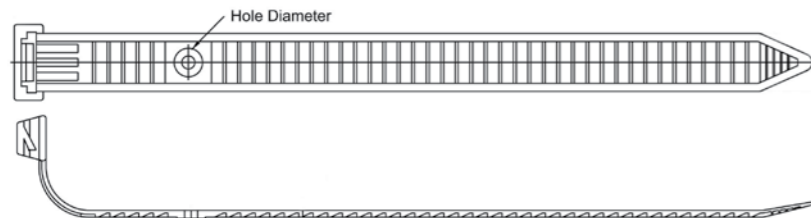


## Airconditioning cable ties

Material : Polyamide 6.6  
 Color : Transparent / black (UV resistant)  
 Temperature range : -40 °C up to +85 °C  
 Flammability : UL 94 V2  
 Certification : UL, Lloyd's



Typenr.	Length (mm)	Width (mm)	Max. bundle diameter (mm)	Tensile strength (kg)	Thickness (mm)	Hole diameter (mm)	Packing (pcs)
AIRCO 235x20mm	235	20	73	20	2,4	Ø 4,5	10
AIRCO 275x20mm	275	20	85	20	2,4	Ø 4,5	10

## Mountable head cable ties

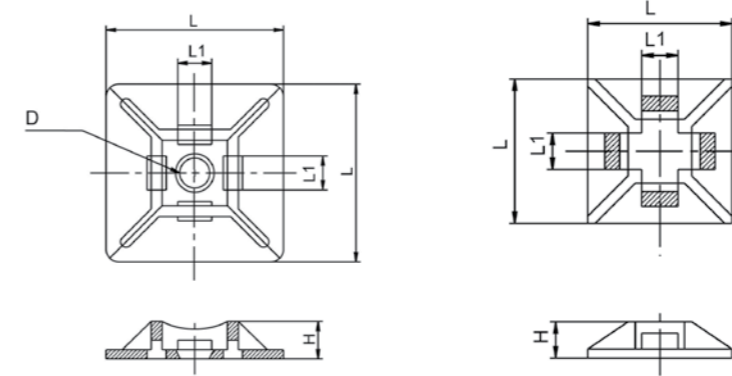
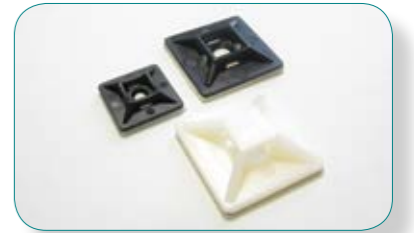
Material : Polyamide 6.6  
 Color : Transparent / black (UV resistant)  
 Temperature range : -40 °C up to +85 °C  
 Flammability : UL 94 V2  
 Certification : UL, Lloyd's



Typenr.	Length (mm)	Width (mm)	Max. bundle diameter (mm)	Tensile strength (kg)	Hole (mm)	Packing (pcs)
EYE 110x2,5mm	110	2,5	22	8,1	Ø 3,2	100
EYE 150x3,6mm	150	3,6	32	18,2	Ø 4,2	100
EYE 200x4,8mm	200	4,8	50	22,2	Ø 5,5	100
EYE 200x7,6mm	200	7,6	50	54,4	Ø 5,7	100
EYE 313x7,6mm	313	7,6	76	54,4	Ø 5,7	100
EYE 382x7,6mm	382	7,6	98	54,4	Ø 6,3	100

## Self adhesive cable tie mounts

Material : Polyamide 6.6  
 Color : Transparent / black (UV resistant)  
 Temperature range : -40 °C up to +85 °C  
 Flammability : UL 94 V2



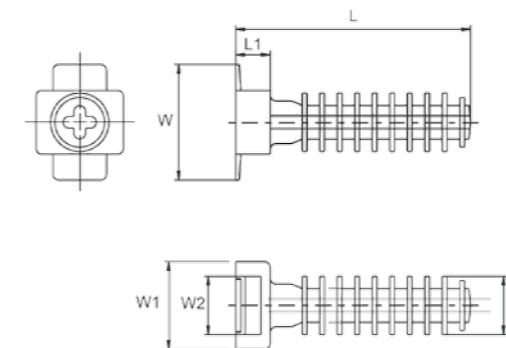
MB 19x19mm / MB 28x28mm

MB 12x12 mm

Typenr.	L (mm)	H (mm)	For cable tie width up to (mm)	D (mm)	Packing (pcs)
MB 12x12mm	12,7	3,2	3,2	-	100
MB 19x19mm	19,0	4,4	4,0	Ø 3,5	100
MB 28x28mm	27,7	5,7	5,3	Ø 5,7	100

## Wallplug for cable ties up to 9 mm wide

Material : Polyamide 6.6  
 Color : Transparent / black (UV resistant)  
 Temperature range : -40 °C up to +85 °C  
 Flammability : UL 94 V2



Typenr.	L (mm)	L1 (mm)	W (mm)	W1 (mm)	W2 (mm)	E (mm)	Packing (pcs)
GTN 9	40,5	5,9	20	15	10	Ø 9,5	100