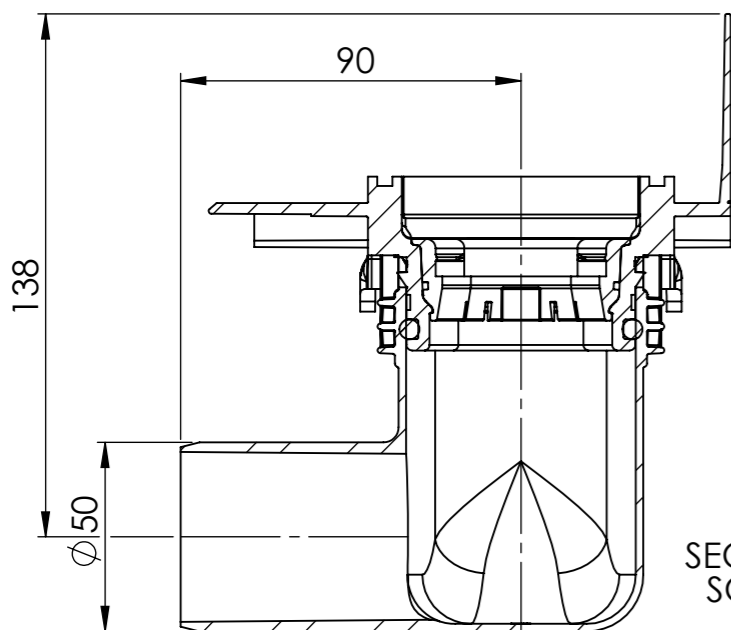
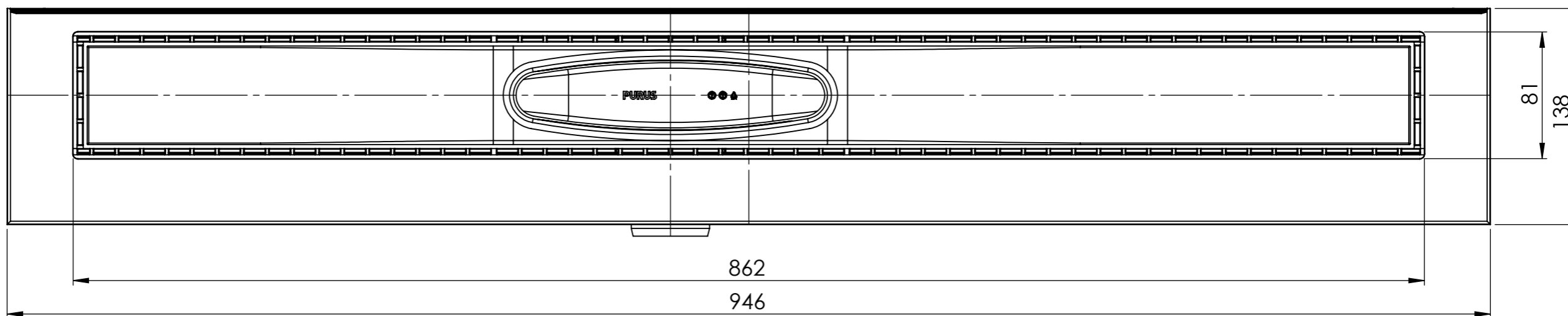
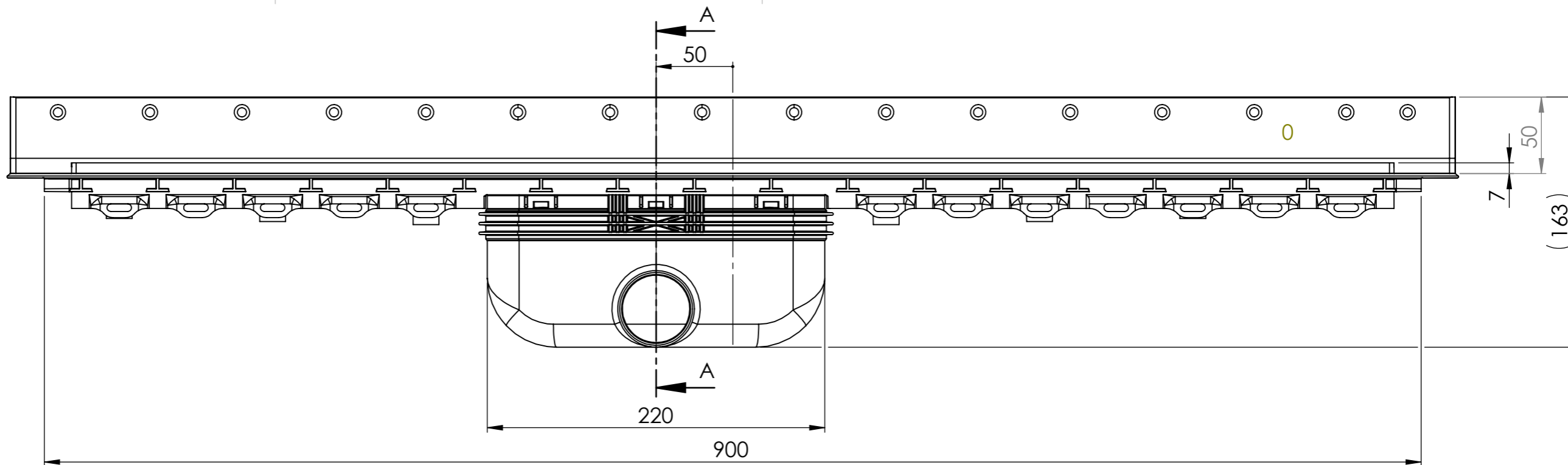
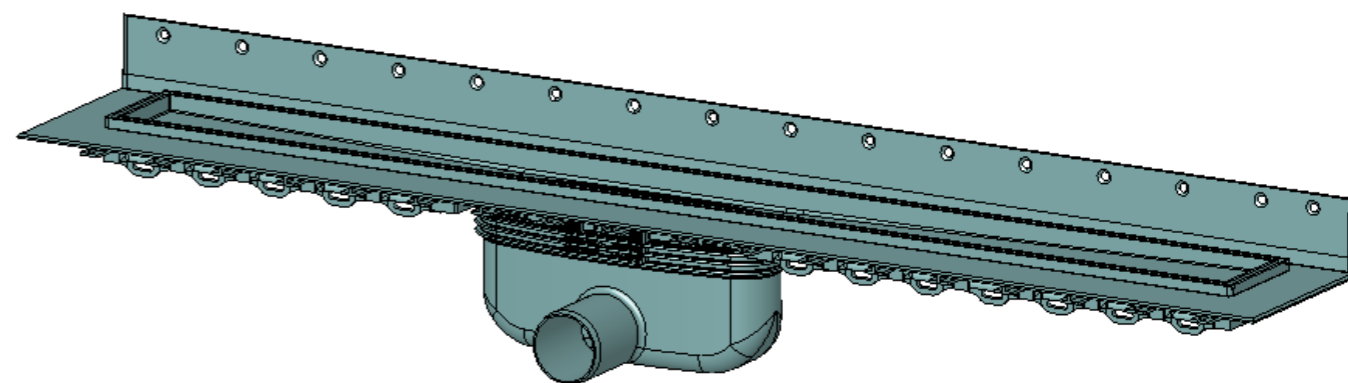


This document must not be copied without our written permission, and the contents thereof must not be imported to a third party nor be used for any unauthorized purpose. Contravention will be prosecuted. Purus AB



SECTION A-A
SCALE 1 : 2



Denna handling får ej utan vårt medgivande kopieras. Den får ej heller delgivas annan eller ejlest obehörigen användas. Överträdelse härav beivras med stöd av gällande lag. Purus AB

Annotation Måttskiss		Scale 1:3		Page 1(1)		This drawing replace A3		Replaced by -		Date -	
		General tolerance. ISO 2768-1		Weight (gram)		Volume (cm3)		Approved by -		Date -	
Purus AB Södra Dragongatan 15 SE-271 39 YSTAD, SWEDEN Ph. +46 104144900 Fax +46 104144996 www.purus.se		Material Sammanställning		Surface treatment -		Designer SwS		Created date 2016-02-26		Article no 155802-612	
		Name Aflöbsrende 50/900 mm, vandret ø50								Edition 2	