

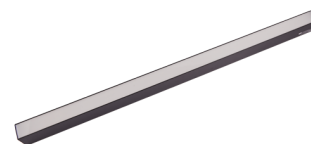
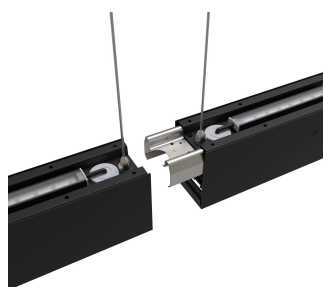


| | |
|----------------------|-----------------------|
| Category | Commercial Linear |
| Application | Commercial, Education |
| Specification | Architectural |

Vasco

Vasco CCT Bi-directional Suspended Linear 1200mm DALI Aluminium

Code: AVASLED/DD3



PRODUCT FEATURES

- Aluminium bi-directional suspended or surface linear suitable for education, commercial and retail applications
- Supplied bi-directional light output as standard with 30% upward light and 70% downward light ratio (directional only option can be selected if required)
- Selectable CCT between 3000K, 4000K and 6000K output
- Adjustable suspension points c/w suspension kit
- Aluminium extruded construction with integral driver
- Opal diffuser provides optimal light uniformity
- Pre-wired with 1.5 metre cable
- 1-10V dimmable as standard

GENERAL INFORMATION

| | |
|---|-----------------|
| Wattage | 50W |
| Lumens Delivered | 5300lm (4000K) |
| Lm/W | 105lm/W (4000K) |
| Beam Angle | 110 |
| CRI | 80 |
| CCT | 3000/4000/6500K |
| Input | 220-240V |
| Operating Temp | -20°C - 45°C |
| SDCM | 6 |
| UGR | 24 |
| Product Weight without Packaging | 2.91 kg |

TECHNICAL INFORMATION

| | |
|---------------------------------------|--------------------------------------|
| Light Source | LED |
| Colour / Finish | Aluminium |
| IP Rating | IP20 |
| Class Protection | 1 |
| Internal / External | Internal |
| Surface / Recessed / Suspended | Ceiling, Suspended, Wall |
| Lumen Depreciation | L80 70,000h |
| Warranty (Years) | 5 |
| CE Mark | Yes |
| Height | 75 mm |
| Accessories | AVASLED/LC, AVASLED/90, AVASLED/90/B |

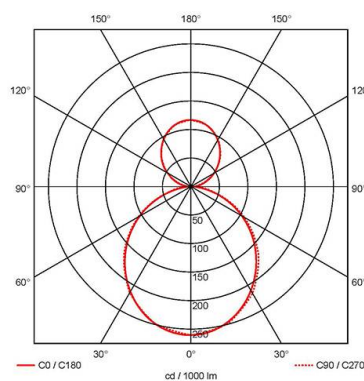
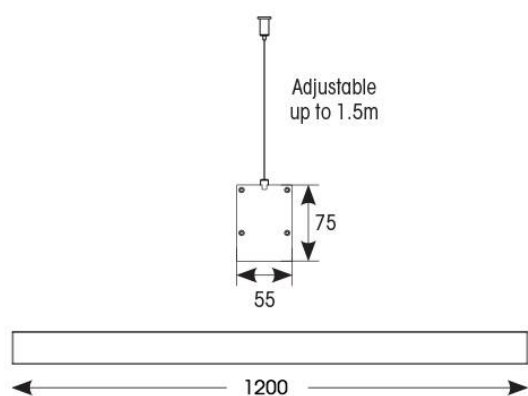


| | |
|----------------------|-----------------------|
| Category | Commercial Linear |
| Application | Commercial, Education |
| Specification | Architectural |

Vasco

Vasco CCT Bi-directional Suspended Linear 1200mm DALI Aluminium

Code: AVASLED/DD3



ACCESSORIES

| | |
|-------------|--|
| AVAS/P3/1/B | Vasco Three Circuit Track Adaptor Black |
| AVAS/P3/1/W | Vasco Three Circuit Track Adaptor White |
| AVAS/WM/1 | Vasco Wall Mounting Kit |
| AVASLED/90 | Vasco CCT 90° Corner Connector Aluminium |
| AVASLED/LC | Vasco CCT Continuous Linking Connector |
| AVASLED/SK | Vasco CCT Suspension Kit Aluminium |