



|                      |   |
|----------------------|---|
| <b>Category</b>      | Battens and Weatherproofs   |
| <b>Application</b>   | Ancillary, Commercial, Education, Healthcare, Hospitality, Industrial, Retail |
| <b>Specification</b> | Performance   |

# Tornado PRO

Tornado PRO Twin 1200mm Switch Dim Microwave Sensor DALI-Emergency

**Code:** ATORPLED2X4/DD1/MWS/DM3



## PRODUCT FEATURES

- Ultra slim IP65 LED robust non-corrosive batten ideal for industrial applications and ancillary areas
- Unique base design caters for multiple installation methods
- Quick release LED array / gear tray assembly provides the installer the means to faster installation / maintenance
- Self-test emergency option with Li-ion battery technology, reducing charge time and running costs
- High efficiency up to 161 Lm/W
- Installer friendly embedded features aid accurate and fast installation for any application
- Fast latching / permanently located stainless steel side clips ensure a quick and secure connection
- High output 5ft options available

### GENERAL INFORMATION

|   |            |
|---|------------|
| <b>Wattage</b>                          | 41W        |
| <b>Lumens Delivered</b>                 | 4500lm     |
| <b>Lm/W</b>                             | 109lm/W    |
| <b>Beam Angle</b>                       | 100/120    |
| <b>CRI</b>                              | 80         |
| <b>CCT</b>                              | 4000K      |
| <b>Input</b>                            | 220-240V   |
| <b>Operating Temp</b>                   | 0°C - 40°C |
| <b>SDCM</b>                             | 6          |
| <b>Product Weight without Packaging</b> | 0.01 kg    |

### TECHNICAL INFORMATION

|                                       |   |
|---------------------------------------|---|
| <b>Light Source</b>                   | LED   |
| <b>Colour / Finish</b>                | Grey  |
| <b>IP Rating</b>                      | IP65  |
| <b>IK Rating</b>                      | IK07  |
| <b>Class Protection</b>               | 1   |
| <b>Internal / External</b>            | Internal / External                           |
| <b>Surface / Recessed / Suspended</b> | Ceiling, Suspended                            |
| <b>Lumen Depreciation</b>             | L80 54,000h                                   |
| <b>Warranty (Years)</b>               | 7   |
| <b>CE Mark</b>                        | Yes   |
| <b>Height</b>                         | 70 mm   |
| <b>Accessories</b>                    | ATORPLED/SSKIT/SINGLE,<br>ATORPLED/SSKIT/TWIN |
| <b>Emergency Output Duration</b>      | 3 Hr  |



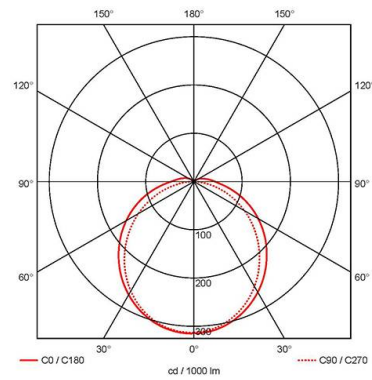
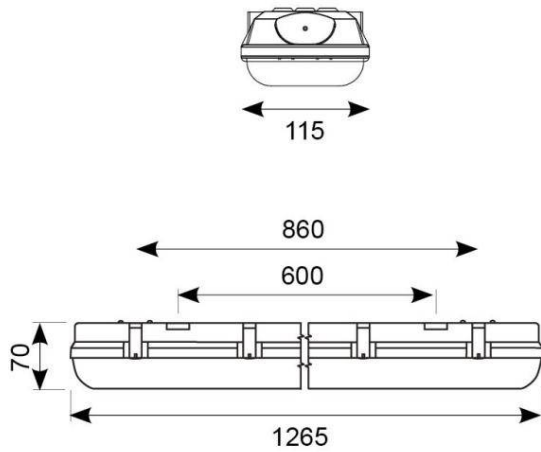


|                      |   |
|----------------------|---|
| <b>Category</b>      | Battens and Weatherproofs   |
| <b>Application</b>   | Ancillary, Commercial, Education, Healthcare, Hospitality, Industrial, Retail |
| <b>Specification</b> | Performance   |

# Tornado PRO

Tornado PRO Twin 1200mm Switch Dim Microwave Sensor DALI-Emergency

**Code:** ATORPLED2X4/DD1/MWS/DM3



## ACCESSORIES

|                       |   |
|-----------------------|---|
| ATORPLED/SSKIT/SINGLE | Tornado PRO 316L Stainless Steel Kit Single |
| ATORPLED/SSKIT/TWIN   | Tornado PRO 316L Stainless Steel Kit Twin   |

