

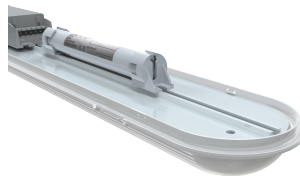


| | |
|----------------------|---|
| Category | Battens and Weatherproofs |
| Application | Ancillary, Commercial, Education, Healthcare, Hospitality, Industrial, Retail |
| Specification | Performance |

Tornado PRO

Tornado PRO Twin 1500mm DALI Self-Test Emergency

Code: ATORPLED2X5/DD3/M3



PRODUCT FEATURES

- Ultra slim IP65 LED robust non-corrosive batten ideal for industrial applications and ancillary areas
- Unique base design caters for multiple installation methods
- Quick release LED array / gear tray assembly provides the installer the means to faster installation / maintenance
- Self-test emergency option with Li-ion battery technology, reducing charge time and running costs
- High efficiency up to 161 Lm/W
- Installer friendly embedded features aid accurate and fast installation for any application
- Fast latching / permanently located stainless steel side clips ensure a quick and secure connection
- High output 5ft options available

GENERAL INFORMATION

| | |
|---|------------|
| Wattage | 61W |
| Lumens Delivered | 6300lm |
| Lm/W | 103lm/W |
| Beam Angle | 100/120 |
| CRI | 80 |
| CCT | 4000K |
| Input | 220-240V |
| Operating Temp | 0°C - 40°C |
| SDCM | 3 |
| Product Weight without Packaging | 2.67 kg |

TECHNICAL INFORMATION

| | |
|---------------------------------------|---|
| Light Source | LED |
| Colour / Finish | Grey |
| IP Rating | IP65 |
| IK Rating | IK07 |
| Class Protection | 1 |
| Internal / External | Internal / External |
| Surface / Recessed / Suspended | Ceiling, Suspended |
| Lumen Depreciation | L80 54,000h |
| Warranty (Years) | 7 |
| CE Mark | Yes |
| Height | 70 mm |
| Accessories | ATORPLED/SSKIT/SINGLE, ATORPLED/SSKIT/TWIN |
| Emergency Output Duration | 3 Hr |

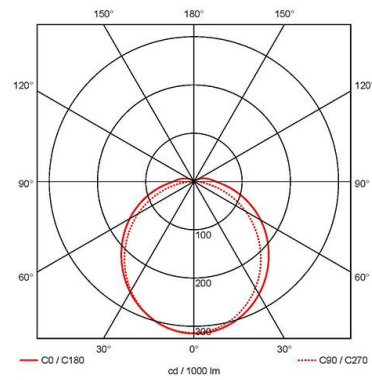
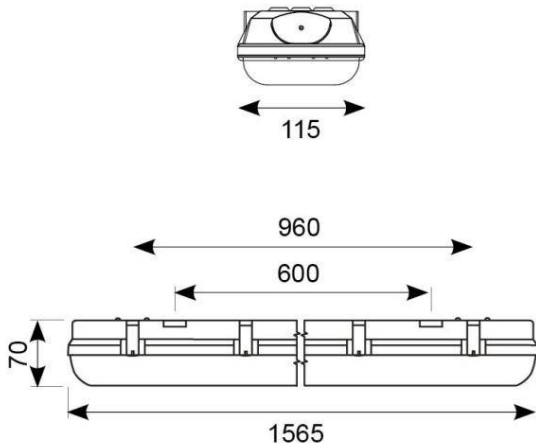




| | |
|----------------------|---|
| Category | Battens and Weatherproofs |
| Application | Ancillary, Commercial, Education, Healthcare, Hospitality, Industrial, Retail |
| Specification | Performance |

Tornado PRO

Tornado PRO Twin 1500mm DALI Self-Test Emergency
Code: ATORPLED2X5/DD3/M3



ACCESSORIES

| | |
|-----------------------|---|
| ATORPLED/SSKIT/SINGLE | Tornado PRO 316L Stainless Steel Kit Single |
| ATORPLED/SSKIT/TWIN | Tornado PRO 316L Stainless Steel Kit Twin |