

Installation Instructions

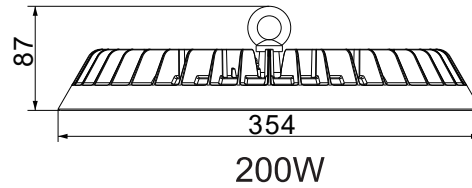
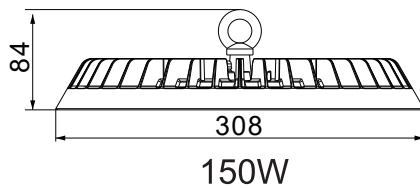
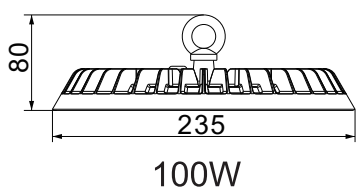
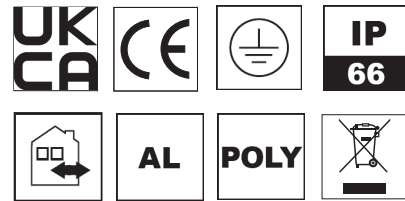
Instrucciones de instalación, Instructions d'installation, Installationsanleitung, إرشادات التركيب,
 Installatie-instructies, Instruções de instalação, Installatie-instructies,
 設置手順説明, Οδηγίες εγκατάστασης



Product Code: [AZLE /1/]



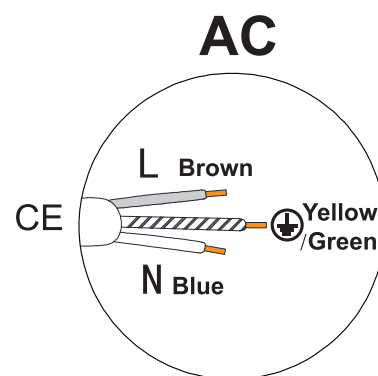
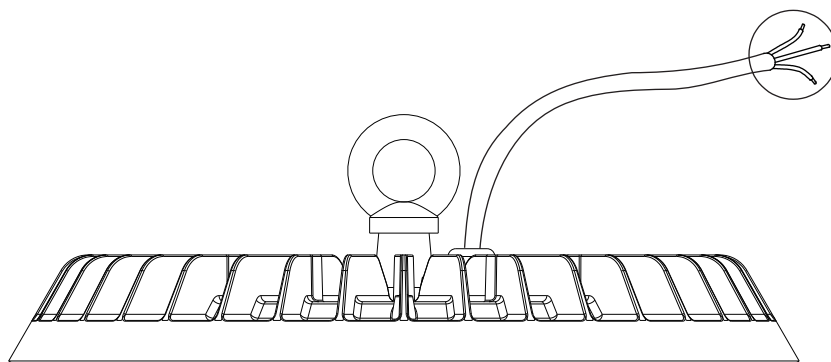
Master
 Translations
 QR Link



Model	product L * W * H (mm)	carton L * W * H (mm)	NW (kg) ±0.1	GW (kg) ±0.1
AZLE1/1/	253*253*80	255*47*258	0.91	1.01
AZLE2/1/	308*308*84	312*55*315	1.34	1.49
AZLE3/1/	354*354*87	356*62*360	1.87	2.02

1

Wiring diagram



Ansell Electrical Products
 Unit 6B, Stonecross Industrial
 Park,
 Yew Tree Way,
 Warrington,
 WA3 3JD

Ansell (Sales & Distribution)
 Unit 2, M2 Business Park,
 Duncrue Street,
 Belfast,
 BT3 9AQ

Ansell (Sales & Distribution) Republic of Ireland Limited
 Unit G1, Block G,
 Calmount Park, Calmount Avenue
 Dublin 12,
 D12 TH56

www.ansell-lighting.com

Warrington Tel: +44 (0)1942 433333

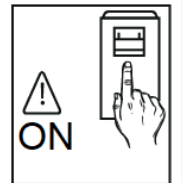
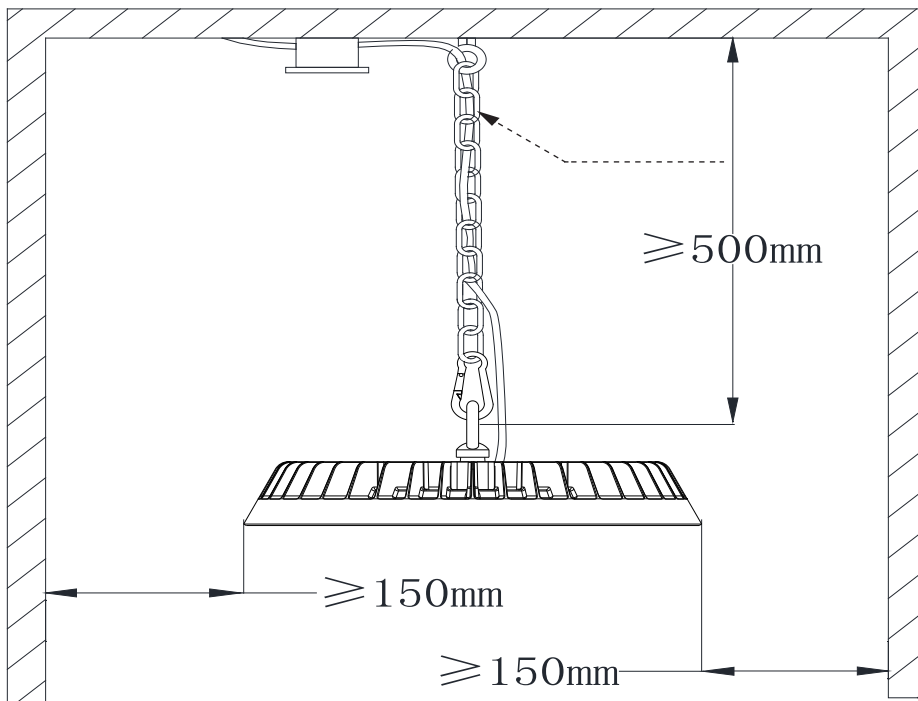
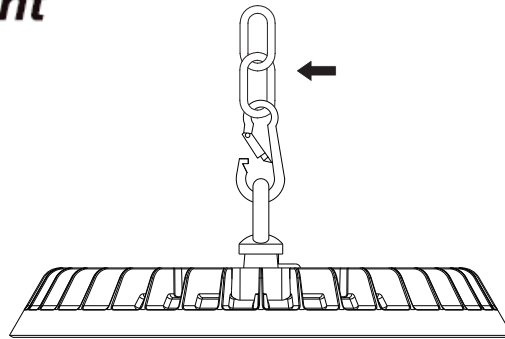
Belfast Tel: +44 (0)2890 773750

International Tel: +44 (0)1942 433343

Spain Tel: 00 34 938 005642

2

Hook Mount



For all of the above installation, it is recommended that all models with safety rope.

