

### Blockset PBS CC 41

Group: 1309

#### Application

Quick-installation element for efficiently mounting pipe clamps and other components to all Sikla Channels of the 41 series (double channels also).

- ◆ Time-saving due to pre-assembled Blockset instead of 4 single parts.
- ◆ Easy height adjustment inside the channel.
- ◆ Grooved rod is retained, thus preventing any accidental unscrewing.
- ◆ The grooves (distance 10 mm) provide for easy cutting with the Rod Cutter PBC, saw-cutting or finishing is not required.

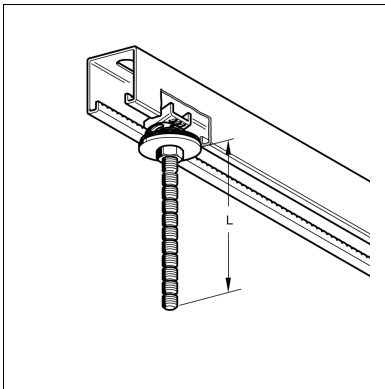
#### Scope of delivery

Blockset completely pre-assembled.

#### Installation

Insert the Blockset into the channel; tighten nut - the job is done!

Dismounting takes place in reverse order by turning the to the left and exerting light pressure on the grooved rod in channel direction.



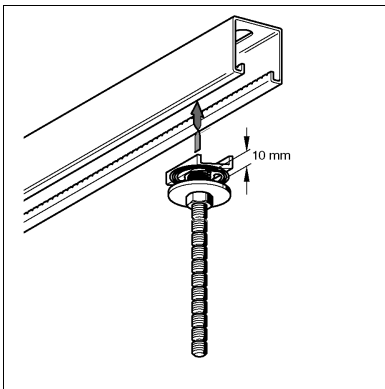
#### Technical Data

Type	M [Nm]	FZ [kN]
M8 x ...	10	3.3
M10 x ...	18	4.5

FZ = permissible traction at the grooved rod

Note: The point carrying capacity of the channel must not be exceeded.

Material: Steel, electro-galvanised



Type	L [mm]	W [kg]	Quantity [pack]	Part number
M8 x 35	35	0.07	25	<b>191549</b>
M8 x 75	75	0.08	25	<b>191558</b>
M8 x 125	125	0.10	25	<b>191567</b>
M8 x 175	175	0.11	25	<b>191576</b>
M8 x 275	275	0.14	25	<b>191585</b>
M10 x 35	35	0.09	25	<b>191594</b>
M10 x 75	75	0.10	25	<b>191603</b>
M10 x 125	125	0.12	25	<b>191612</b>
M10 x 175	175	0.15	25	<b>191621</b>
M10 x 275	275	0.20	25	<b>191639</b>

